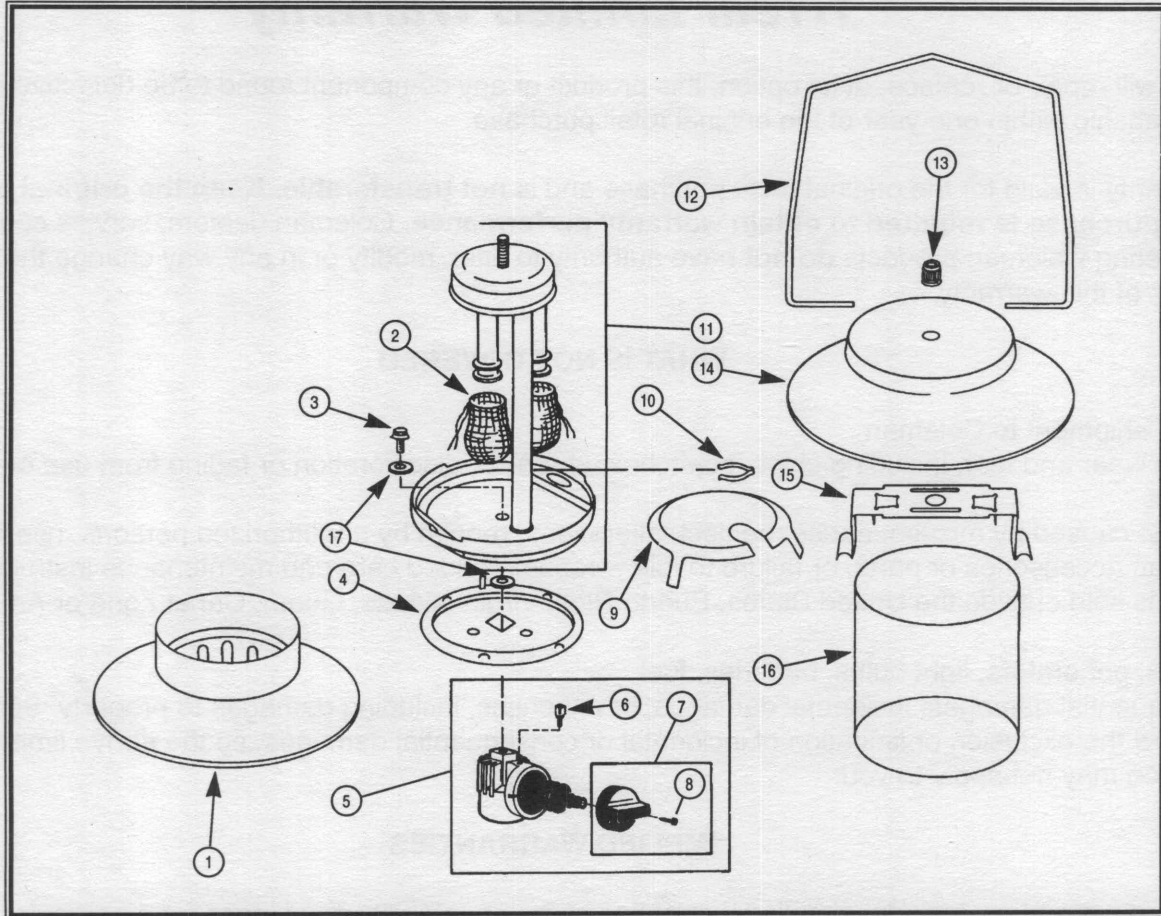


**Model 5152C700
Propane Lantern**

FIRST PRODUCTION - 7/90



DIMENSIONS	APPROXIMATE BURN TIME	INPUT RATING
16 1/2" H x 7 3/4" D	7 Hours (High)	3,000 BTUH

<u>I.D.#</u>	<u>PART NUMBER</u>	<u>DESCRIPTION</u>
1	5151C5451	Lantern Base Assembly
2	#21	Mantle
3	5114B060	Screw
4	5154D4601	Spacer Plate
5	5152A5251	Regulator Valve Assembly
6	5152A2181	Gas Tip
7	5154A1491	Knob Assembly
8	5154D029	Screw
9	5154A115	Heat Shield
10	231A3111	Spring Clip
11	5152B6621	Burner Assembly
12	5114A4231	Bail
13	288A441	Ventilator Nut
14	5107B4851	Ventilator
15	5152A1041	Bail Bracket
16	214A0461	Globe
17	5154-320	Washer