

**PARTS LIST**

**242C**

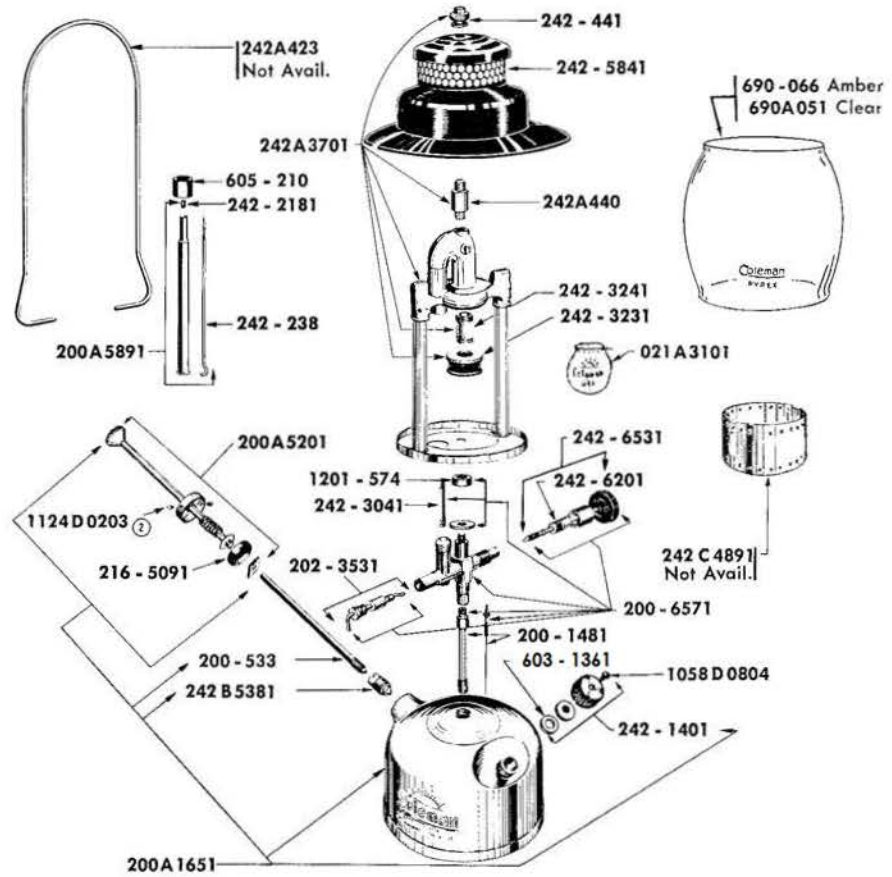
INSTANT LIGHT GASOLINE  
SINGLE MANTLE

**COLEMAN LANTERNS**

**LANTERNS**



Model 242C  
(Discontinued  
Except in Canada)



② Quantity of Parts Used in Assembly

**MODEL 242C SHOWN**

MODEL	FINISH	
	Fount	Ventilator (Porcelain)
242C	Green	Green (5 1/2")

PART NO.	DESCRIPTION	USED ON	PART NO.	DESCRIPTION	USED ON
8B119	Green Enamel — Pressurized Spray		242-6531	Stem Ass'y	
021A3101	21A Mantle		242A3701	Burner Ass'y Complete	
200-1481	Tube Ass'y (Fuel and Air)		242A423	Bail — Not Available	
200-533	Air Stem		242A440	Ventilator Rod	
200-6571	Valve, Less Generator		242A6571	Valve — Replaced by 200-6571	
200A1651	Fount Complete		242B532	Air Stem — Replaced by 200-533	
200A5891	T66DL Generator		242B5381	Check Valve	
200A5201	Pump Plunger Ass'y		242C4891	Globe Base Rest — Not Available	
202-3531	Tip Cleaner Stem		242K4841	Ventilator — Replaced by 242-5841	
216-5091	Pump Cup		603-1361	Filler Cap Gasket	
242-1401	Filler Cap		604-456	Nut — Replaced by 1201-574	
242-2181	Gas Tip (Marked "6")		605-210	Jamb Nut	
242-238	Needle Ass'y		690-066	550A Amber Pyrex Globe — Accessory	
242-3041	Eccentric Block		690A051	550 Clear Pyrex Globe	
242-3231	Burner Cap and Screen		1058D0804	Screw (#8—32 x 1/4")	
242-3241	Burner Tube		1124D0203	Sheet Metal Screw (#2 x 3/16", Bd. Hd. Type Z)	
242-441	Ball Nut		1201-574	Nut (1/4" x 20 Hex Brass)	
242-6201	Valve Stem Packing				
242-5841	Ventilator				