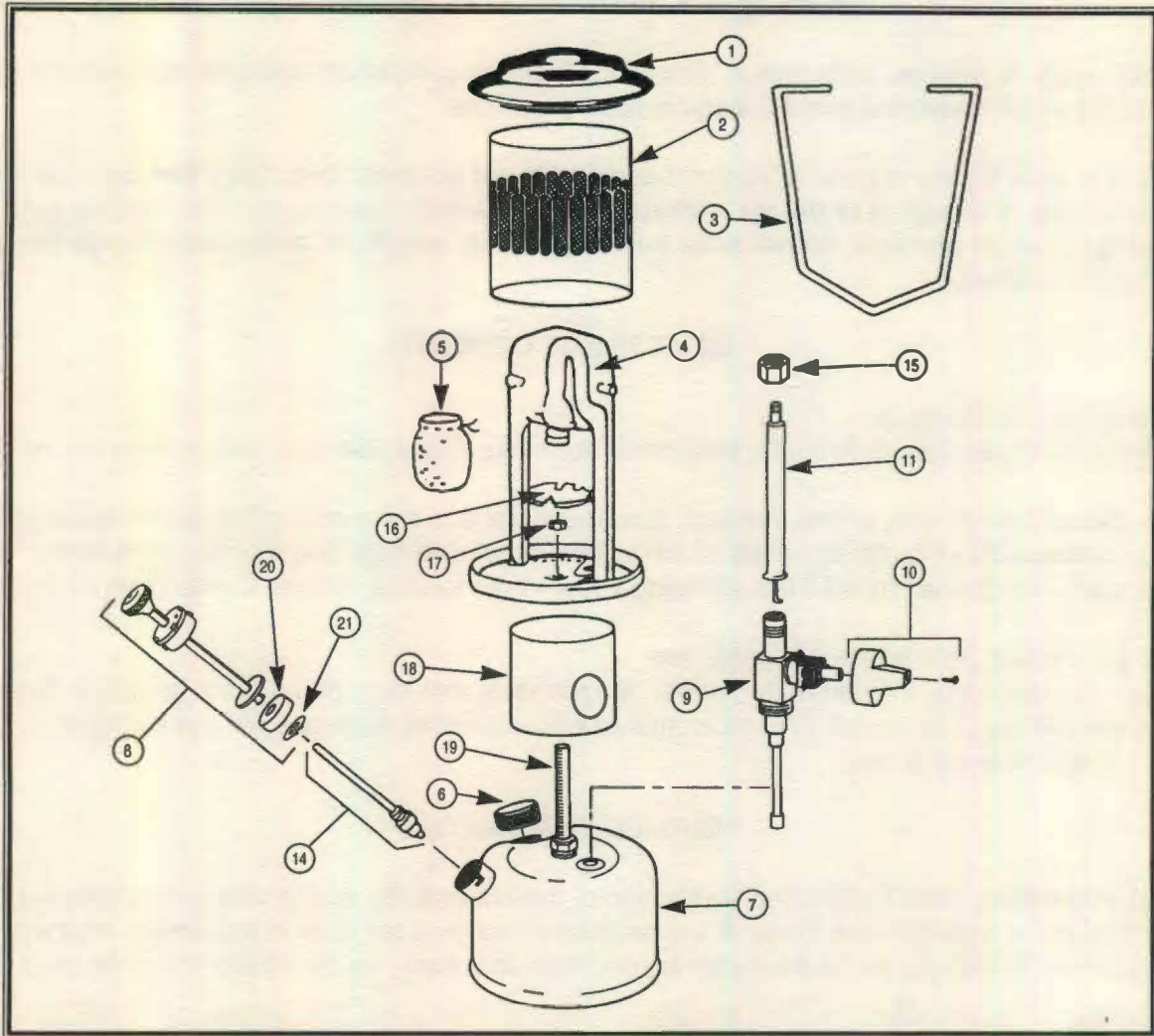


**Model 226-700
UltraLight Gear Lantern**

FIRST PRODUCTION - 12/92



FUEL CAPACITY	DIMENSIONS	APPROXIMATE BURN TIME	WEIGHT
1/2 Pint (.24 Liters)	9 1/2" H x 4 3/4" D	3 1/2 Hours (High)	30 oz.

L.D.#	PART NUMBER	DESCRIPTION	L.D.#	PART NUMBER	DESCRIPTION
1	226-4871	Ventilator	10	226-4941	Knob & Screw
2	226-0481	Globe	11	226-2991	Generator
3	226-4211	Bail	12	226-5801	Lantern Maintenance Kit (Not Shown) Includes Items 11, 20 & 21
4	222-3265	Burner Assembly	13	226-5611	Service Parts Kit (Not Shown) Includes Items 15, 16, 17, 18 & 19
5	#20	Manite	14	400-6381	Check Valve & Stem Assembly
6	220C1401	Filler Cap			
7	226-1611	Fount Comp.			
8	400E5201	Pump Plunger Assembly			
9	222A6565	Valve Assembly			

