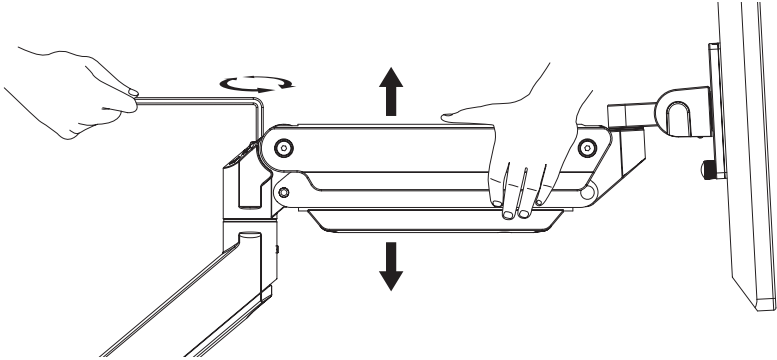


REVIEW THIS GUIDE

BEFORE ATTEMPTING TO ADJUST PNEUMATIC ARM

Adjusting Pneumatic Tension to Support Your Monitor



Getting Started

1 Mount Your Monitor

Follow assembly manual instructions.

2 Insert Allen Wrench Into Adjustment Screw

Adjustment screw is located on the back of the monitor arm. Refer to assembly manual for correct Allen wrench selection.

3 Turn 10-20x to Counterbalance Weight

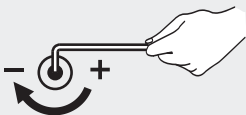
Use the guide below to adjust the tension according to the amount of counterbalance needed for the arm to support the monitor.

Tension Adjustment Guide

Clockwise:

Decrease Support

[if monitor will not lower]

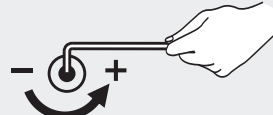


Turn the adjustment screw clockwise to decrease the support for your monitor, allowing it to be lowered.

Counter-Clockwise

Increase Support

[if monitor will not raise]



Turn the adjustment screw counter-clockwise to increase the support for your monitor, allowing it to be raised up.