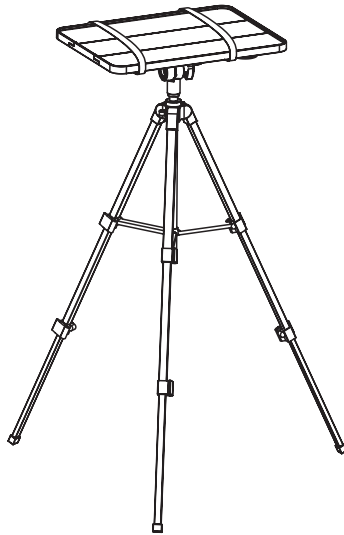




Black Tripod Projector Stand Instruction Manual



SKU: STAND-VP01T



Scan the QR code with your mobile device or follow the link for helpful videos and specifications related to this product.

<https://vivo-us.com/products/stand-vp01t>

GET IN TOUCH | Monday-Friday from 7:00am-7:00pm CST



help@vivo-us.com



www.vivo-us.com
Chat live with an agent!



309-278-5303

WARNING!

If you do not understand these directions, or if you have any doubts about the safety of the installation, please call a qualified technician. Check carefully to make sure there are no missing or defective parts. Improper installation may cause damage or serious injury. Do not use this product for any purpose that is not explicitly specified in this manual. Do not exceed weight capacity. We cannot be liable for damage or injury caused by improper mounting, incorrect assembly or inappropriate use.

WARNING: CHOKING HAZARD

SMALL PARTS - NOT FOR CHILDREN UNDER 3 YEARS. ADULT SUPERVISION IS REQUIRED.

PACKAGE CONTENTS



A (x1)
Tripod with
Carrying Bag



B (x1)
Support Bracket



C (x2)
Locking Plate



D (x2)
Tray End



E (x1)
Tray Center



F (x2)
Strap

13.2lbs
(6kg)

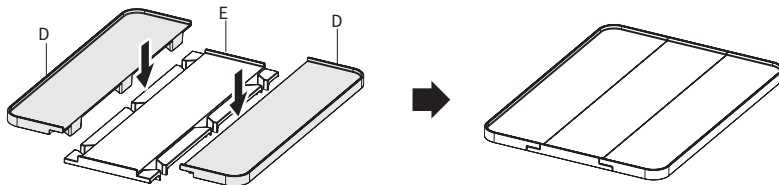
DO NOT EXCEED WEIGHT CAPACITY.

Failure to do so may result in serious injury.

ASSEMBLY STEPS

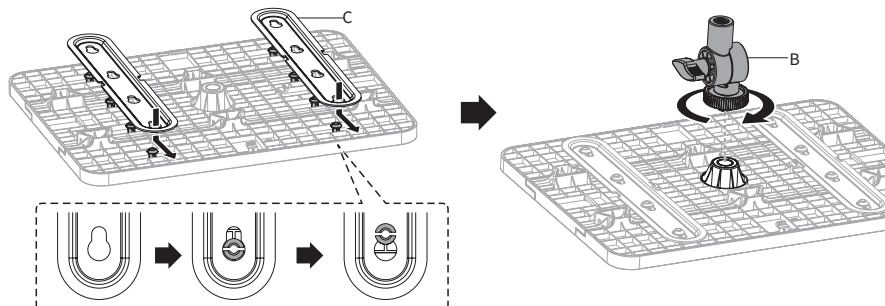
STEP 1

Attach the tray ends (**D**) to the tray center (**E**).



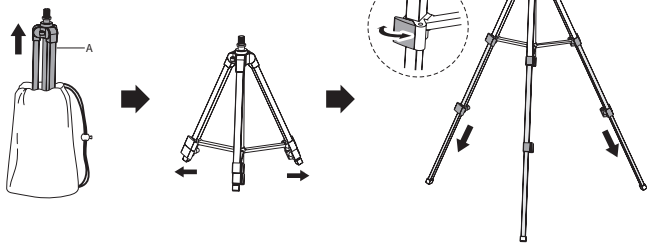
STEP 2

With the assembled tray upside down, place the locking plates (**C**) face-down over the tabs and slide to lock. Screw the support bracket (**B**) into hole in the center of the tray.



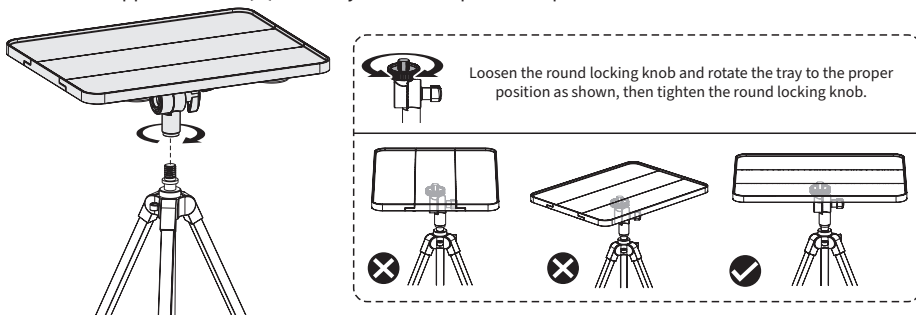
STEP 3

Remove the tripod (A) from the carrying bag. Unfold to the open position, then flip locks open to extend the legs. Adjust to the desired height and engage the locks.



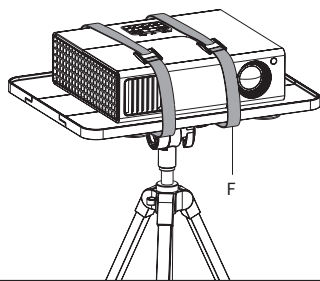
STEP 4

Screw the support bracket (B) with tray onto the top of the tripod.



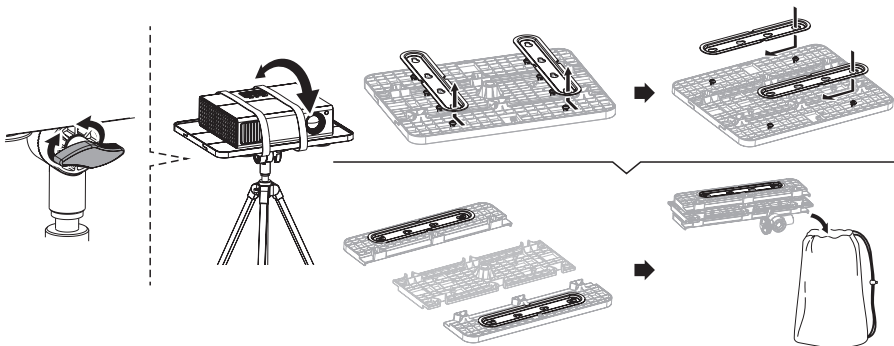
STEP 5

Place projector onto the tray and secure with straps (F).



STEP 6

DISASSEMBLY AND STORAGE: Remove the tray and support bracket from the tripod. Slide and remove the locking plates from the tray. Disassemble the tray, unlock and collapse the tripod, and place all parts into the carrying bag.





Open **Monday - Friday 7:00am - 7:00pm** CST,
our dedicated support team can offer immediate assistance with rapid response times. If any parts are received damaged or defective, please contact us. We are happy to replace parts to ensure you have a fully functioning product.


 help@vivo-us.com

AVG. RESPONSE TIME (*within office hrs*): **1HR 8M**

- 23% within < 15m
- 38% within < 30m
- 61% within < 1hr
- 83% within < 2hr
- 92% within < 3hr

 www.vivo-us.com
Chat live with an agent!

AVG. RESOLUTION TIME (*within office hrs*): **< 15 M**

 309-278-5303

AVG. RESOLUTION TIME (*within office hrs*): **5M 4S**