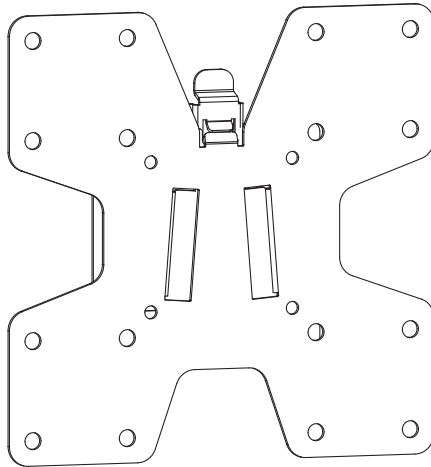




Large VESA Quick Release Adapter Instruction Manual



SKU: STAND-VAD2H



Scan the QR code with your mobile device or follow the link for helpful videos and specifications related to this product.

<https://vivo-us.com/products/stand-vad2h>

GET IN TOUCH | Monday-Friday from 7:00am-7:00pm CST



help@vivo-us.com



www.vivo-us.com
Chat live with an agent!



309-278-5303

WARNING!

If you do not understand these directions, or if you have any doubts about the safety of the installation, please call a qualified technician. Check carefully to make sure there are no missing or defective parts. Improper installation may cause damage or serious injury. Do not use this product for any purpose that is not explicitly specified in this manual. Do not exceed weight capacity. We cannot be liable for damage or injury caused by improper mounting, incorrect assembly or inappropriate use.

WARNING: CHOKING HAZARD

SMALL PARTS - NOT FOR CHILDREN UNDER 3 YEARS. ADULT SUPERVISION IS REQUIRED.

PACKAGE CONTENTS



A (x1)
VESA Bracket



S-A (x4)
M4x12mm Screw



S-B (x4)
M5 Washer



M-A (x4)
M6x14mm Screw



M-B (x4)
M8x16mm Screw



M-C (x4)
M6x30mm
Screw



M-D (x4)
M8x35mm
Screw



M-E (x4)
M8 Washer



M-F (x4)
Small Spacer



M-G (x4)
Large Spacer

NOTE: SOME HARDWARE INCLUDED MAY NOT BE USED

TOOLS NEEDED



DO NOT EXCEED WEIGHT CAPACITY.

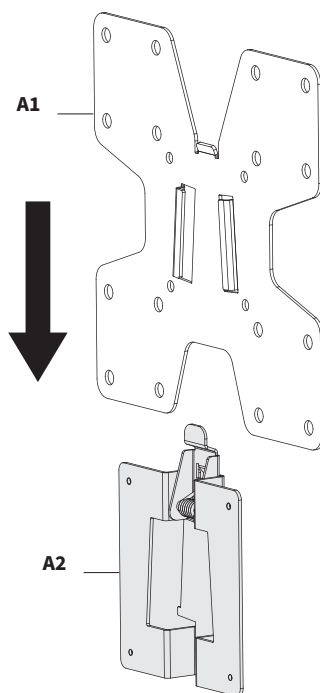
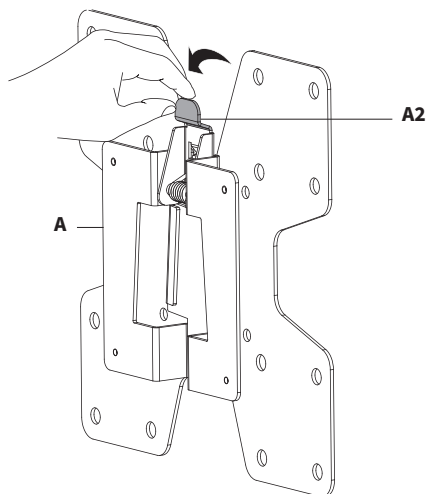
Failure to do so may result in serious injury.



ASSEMBLY STEPS

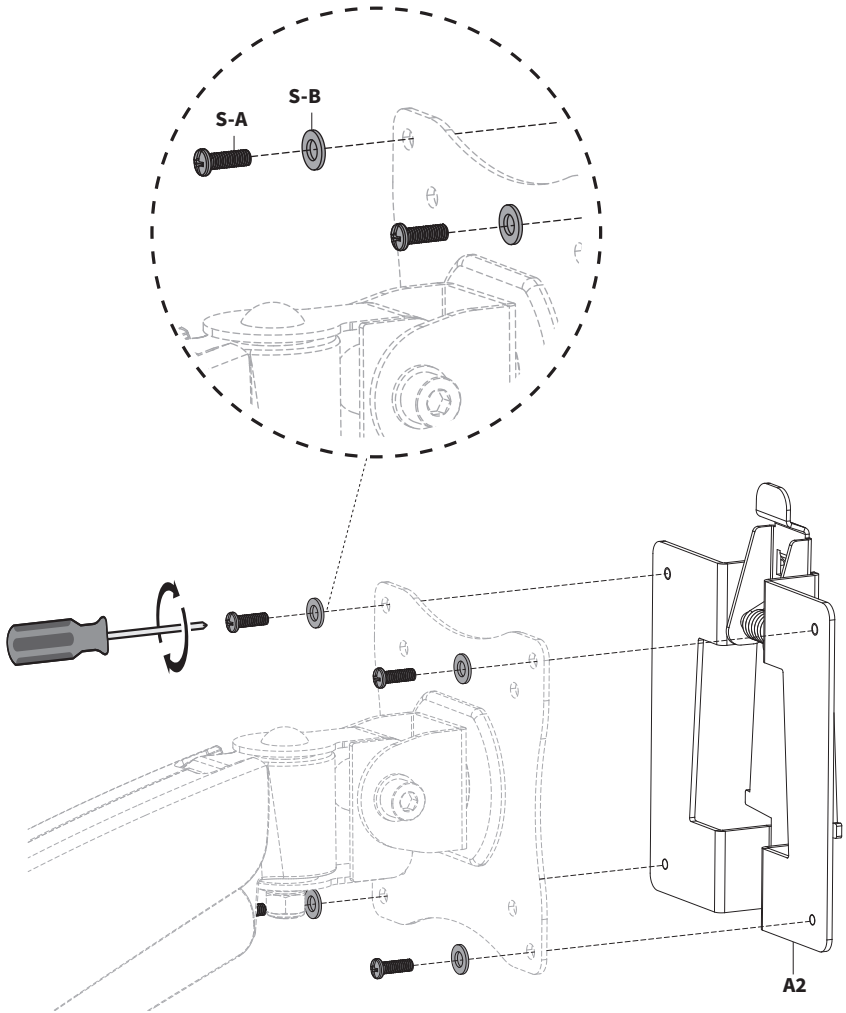
STEP 1

Pull the tab on Quick Release Bracket (**A2**) and separate from VESA Plate (**A1**).



STEP 2

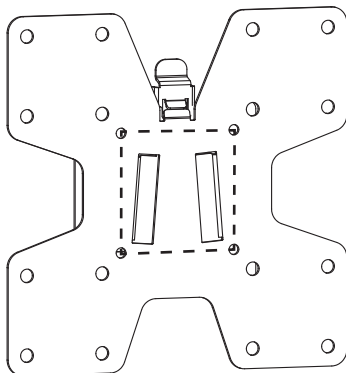
Attach Quick Release Bracket (**A2**) to a VESA compatible stand using M4x12mm Screws (**S-A**), M5 Washers (**S-B**), and a Phillips screwdriver.



STEP 3 - Option #1

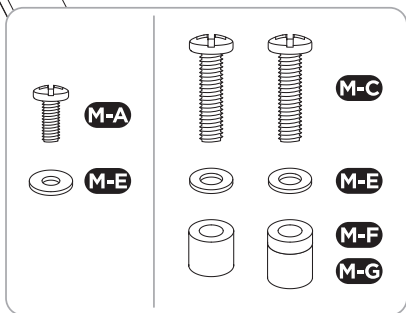
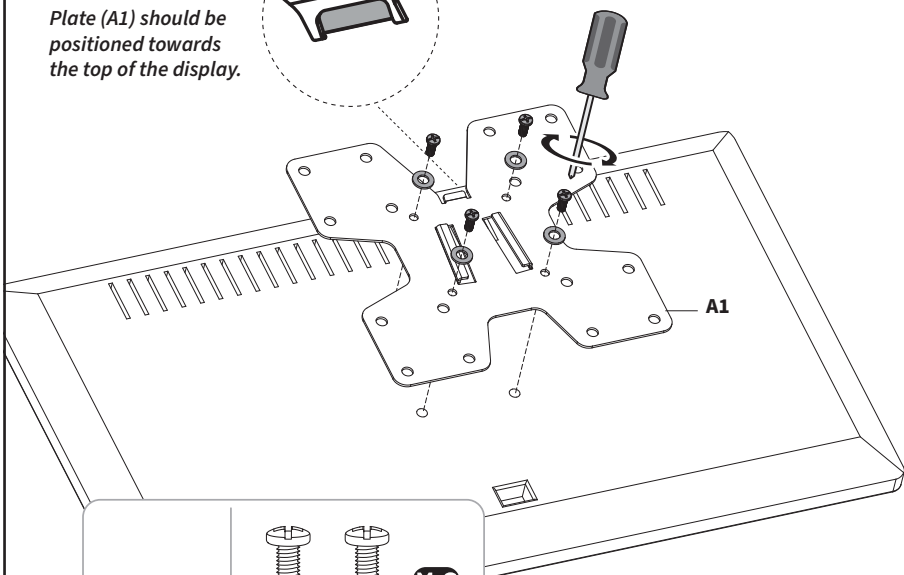
VESA 75x75mm

Attach VESA Plate (A1) to your display using the assorted Screws (M-A, M-C), M8 Washers (M-E), Spacers (M-F, M-G), and a Phillips screwdriver, using smallest holes in center.



VESA 75x75mm

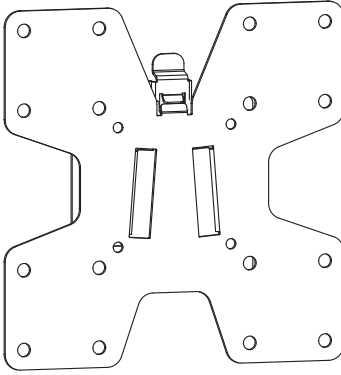
Note: The tab on VESA Plate (A1) should be positioned towards the top of the display.



STEP 3 - Option #2

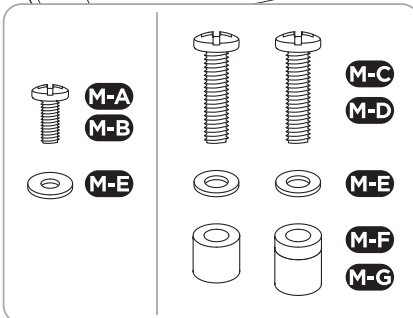
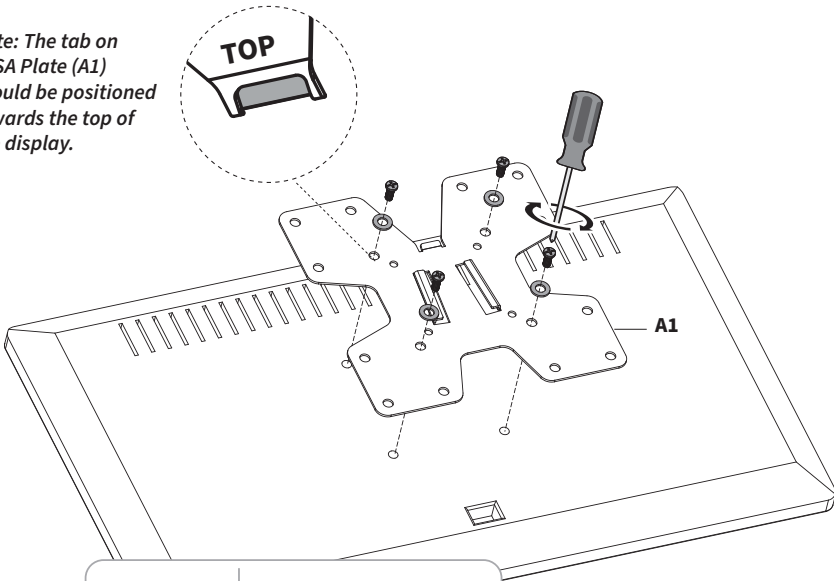
VESA 100x100, 100x200, 200x100, 200x200

Attach VESA Plate (A1) to your display using the assorted Screws (M-A, M-B, M-C, M-D), M8 Washers (M-E), Spacers (M-F, M-G), and a Phillips screwdriver.



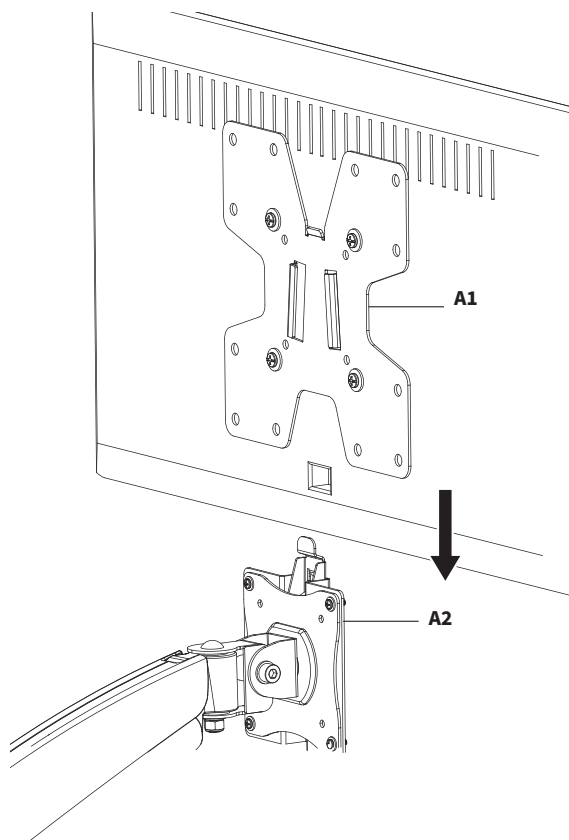
100x100, 100x200,
200x100, 200x200
USE HOLES THAT MATCH
YOUR VESA PATTERN

*Note: The tab on
VESA Plate (A1)
should be positioned
towards the top of
the display.*



STEP 4

Slide your display with VESA Plate **(A1)** onto Quick Release Bracket **(A2)**.





Love your new VIVO setup and want to share?
Tag us in your photo! [@vivo_us](#)

LAST UPDATED: 06/13/2023
REV1



Open **Monday - Friday 7:00am - 7:00pm** CST,
our dedicated support team can offer immediate assistance with rapid response times. If any parts are received damaged or defective, please contact us. We are happy to replace parts to ensure you have a fully functioning product.



309-278-5303

AVG. RESOLUTION TIME (*within office hrs*): **5M 4S**



www.vivo-us.com
Chat live with an agent!

AVG. RESOLUTION TIME (*within office hrs*): **< 15 M**



help@vivo-us.com

AVG. RESPONSE TIME (*within office hrs*): **1HR 8M**

- 23% within < 15m
- 38% within < 30m
- 61% within < 1hr
- 83% within < 2hr
- 92% within < 3hr

FOR MORE VIVO PRODUCTS, CHECK OUT OUR WEBSITE AT: www.vivo-us.com