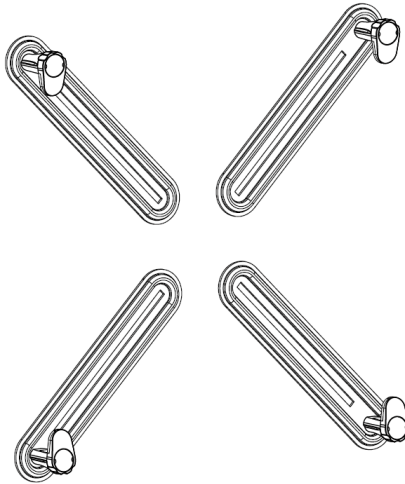


VESA Adapter Bracket Kit

Instruction Manual



SKU: STAND-VAD1B



Scan the QR code with your mobile device or follow the link for helpful videos and specifications related to this product.

<https://vivo-us.com/products/stand-vad1b>

GET IN TOUCH | Monday-Friday from 7:00am-7:00pm CST



help@vivo-us.com



www.vivo-us.com
Chat live with an agent!



309-278-5303

WARNING!

If you do not understand these directions, or if you have any doubts about the safety of the installation, please call a qualified technician. Check carefully to make sure there are no missing or defective parts. Improper installation may cause damage or serious injury. Do not use this product for any purpose that is not explicitly specified in this manual. Do not exceed weight capacity. We cannot be liable for damage or injury caused by improper mounting, incorrect assembly or inappropriate use.

WARNING: CHOKING HAZARD

SMALL PARTS - NOT FOR CHILDREN UNDER 3 YEARS. ADULT SUPERVISION IS REQUIRED.

PACKAGE CONTENTS



A (x4)
Bracket Arm



B (x4)
"L" Support
Holder



C (x4)
Plastic Cover



D (x8)
Nut



E (x8)
Carriage Bolt



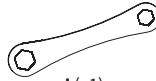
F (x4)
M6x40



G (x4)
M6x60



H (x4)
M6x80



I (x1)
Wrench

TOOLS NEEDED



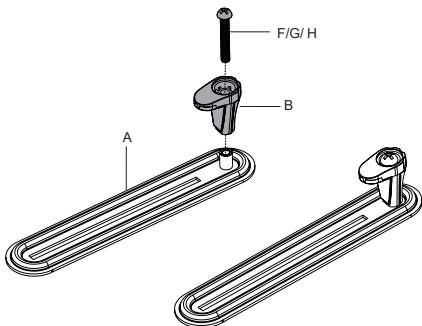
DO NOT EXCEED WEIGHT CAPACITY.
Failure to do so may result in serious injury.

**17.6lbs
(7.98kg)**

ASSEMBLY STEPS

STEP 1

Attach holders (**B**) to arms (**A**) using M6 monitor screws (**F**, **G**, or **H**) depending on monitor thickness. Do not tighten.

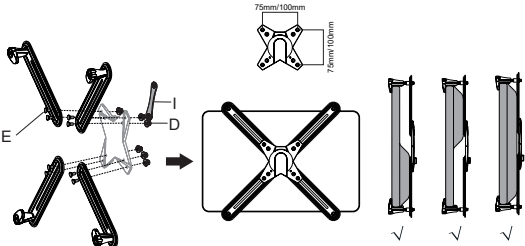


STEP 2

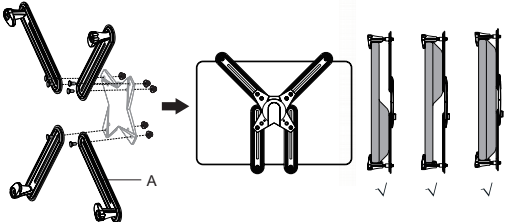
Install arms to your VESA mount in one of the four patterns shown (depending on the size and shape of your monitor) using carriage bolts (**E**) and nuts (**D**). Tighten nuts using wrench (**I**) for lower two arms (**A**) only at this time.

STEP 2 (Continued)

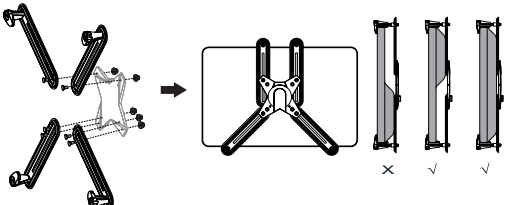
OPTION A



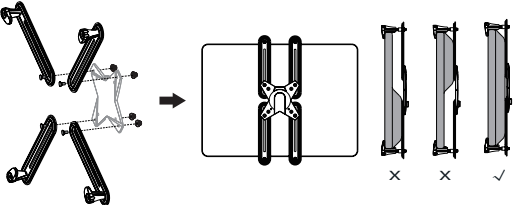
OPTION B



OPTION C

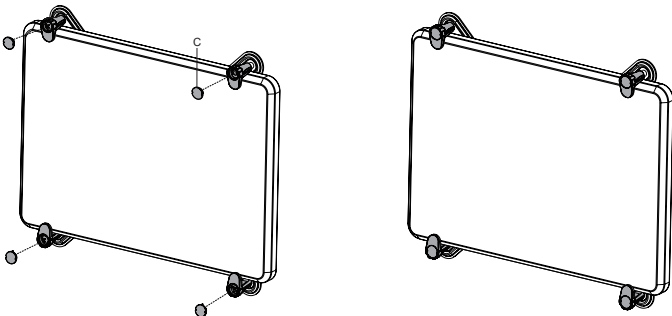


OPTION D



STEP 3

With all holders facing up, place monitor on lower two holders and tighten lower two screws. Turn top holders down and tighten top screws, then tighten nuts for the upper arms. Install covers (C) to holders.





Open **Monday - Friday 7:00am - 7:00pm CST**, our dedicated support team can offer immediate assistance with rapid response times. If any parts are received damaged or defective, please contact us. We are happy to replace parts to ensure you have a fully functioning product.


 help@vivo-us.com

AVG. RESPONSE TIME (*within office hrs*): **1HR 8M**

- 23% within < 15m
- 38% within < 30m
- 61% within < 1hr
- 83% within < 2hr
- 92% within < 3hr

 www.vivo-us.com
Chat live with an agent!

AVG. RESOLUTION TIME (*within office hrs*): **< 15 M**

 309-278-5303

AVG. RESOLUTION TIME (*within office hrs*): **5M 4S**