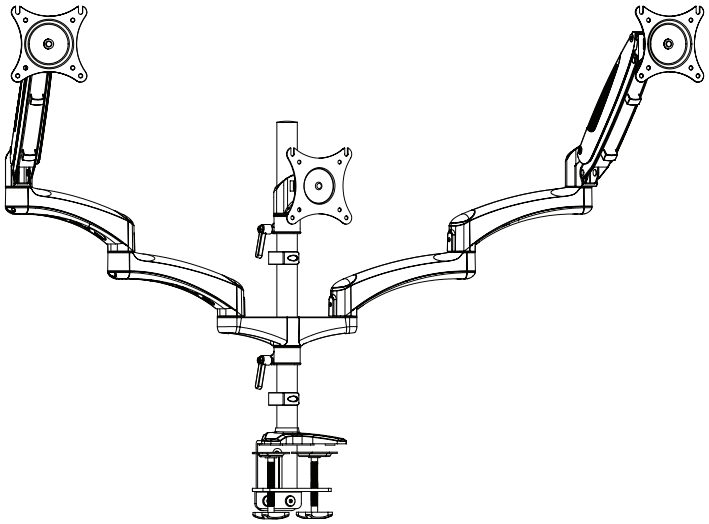


Triple Monitor Desk Mount - 2 Pneumatic Arms + 1 Fixed

Instruction Manual



SKU: STAND-V300G/W



Scan the QR code with your mobile device or follow the link for helpful videos and specifications related to this product.

<https://vivo-us.com/products/stand-v300g>

GET IN TOUCH | Monday-Friday from 7:00am-7:00pm CST



help@vivo-us.com



www.vivo-us.com
Chat live with an agent!



309-278-5303

WARNING!

If you do not understand these directions, or if you have any doubts about the safety of the installation, please call a qualified technician. Check carefully to make sure there are no missing or defective parts. Improper installation may cause damage or serious injury. Do not use this product for any purpose that is not explicitly specified in this manual. Do not exceed weight capacity. We cannot be liable for damage or injury caused by improper mounting, incorrect assembly or inappropriate use.

TIPOVER WARNING

SERIOUS OR FATAL CRUSHING INJURIES CAN OCCUR FROM TIPOVER. TO HELP PREVENT TIPOVER:

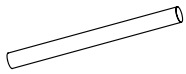
- **TO PREVENT TIPPING, PLEASE BE CAREFUL NOT TO EXTEND THE ARMS TOO FAR FORWARD OR BACKWARD.**
- NEVER ALLOW CHILDREN TO CLIMB, STAND, HANG, OR PLAY ON ANY PART OF MONITOR OR STAND.
- USE TIPOVER RESTRAINT OR ANCHOR STAND TO WALL

USE OF TIPOVER RESTRAINTS MAY ONLY REDUCE, BUT NOT ELIMINATE RISK OF TIPOVER.

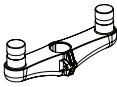
WARNING: CHOKING HAZARD

SMALL PARTS - NOT FOR CHILDREN UNDER 3 YEARS. ADULT SUPERVISION IS REQUIRED.

PACKAGE CONTENTS



A (x1)
Pole



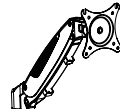
B (x1)
Arm Bracket



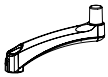
C (x1)
Clamp



D (x2)
Shaft Collar



E (x2)
Monitor Arm



F (x4)
Arm Extension



G (x1)
VESA Plate



H (x6)
Plastic Cover



I (x2)
Cable Clip



M-A (x12)
M4x12 Screw



M-B (x12)
M4x30 Screw



M-C (x12)
M4x8



M-D (x12)
Spacer



T-A (x1)
3mm Allen Wrench



T-B (x1)
5mm Allen Wrench

TOOLS NEEDED



**Phillips
Screwdriver**

NOTE: SOME HARDWARE INCLUDED MAY NOT BE USED

DO NOT EXCEED WEIGHT CAPACITY.

Failure to do so may result in serious injury.

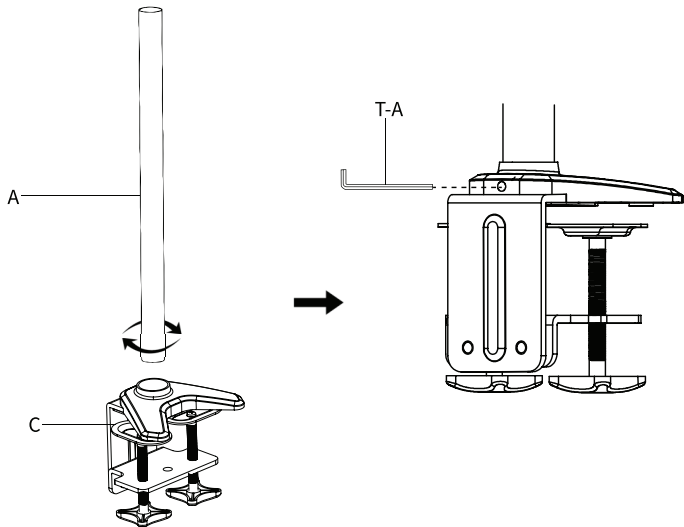


PER ARM

ASSEMBLY STEPS

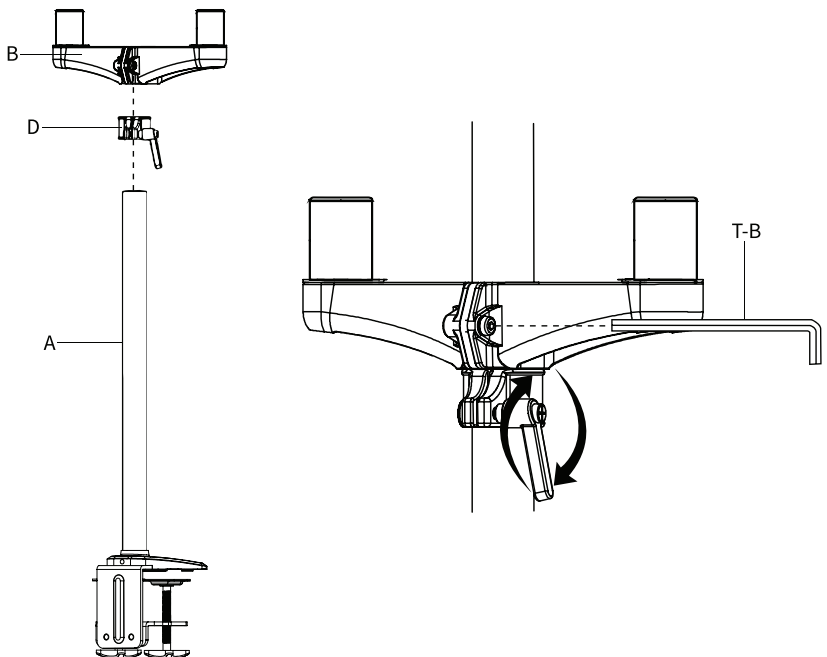
STEP 1

Thread Pole (A) onto Clamp (C). Tighten the set screw in the back of Clamp (C) with 3mm Allen Wrench (T-A) to secure Pole (A) in place.



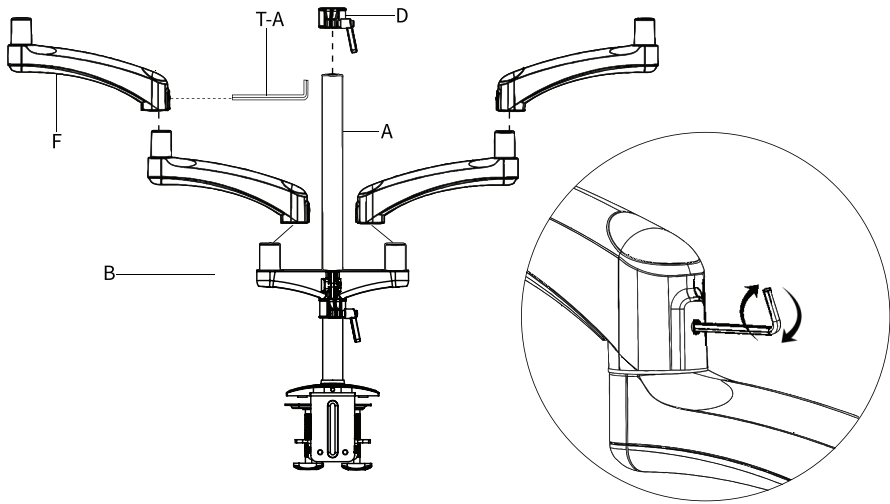
STEP 2

Slide Shaft Collar (D) onto Pole (A). Tighten the handle on Shaft Collar (D) to secure it in place. Slide Arm Bracket (B) onto Pole (A) so that it rests on Shaft Collar (D). Tighten the screw in the back of Arm Bracket (B) with 5mm Allen Wrench (T-B).



STEP 3

Place an Arm Extension (F) on either side of Arm Bracket (B). Attach the second set of Arm Extensions (F) to the first set. Tighten the set screws in the back of Arm Extensions (F) using 3mm Allen Wrench (T-A). Slide Shaft Collar (D) onto Pole (A). Tighten the handle on Shaft Collor (D) to secure it in place.

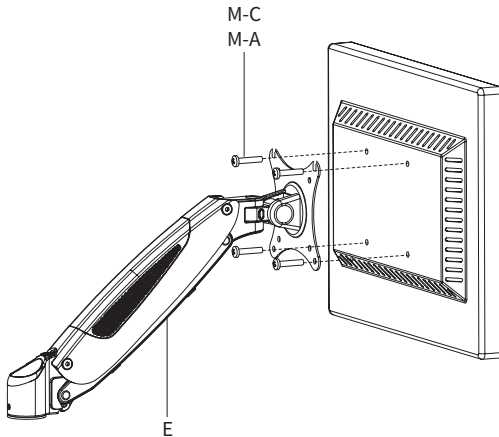
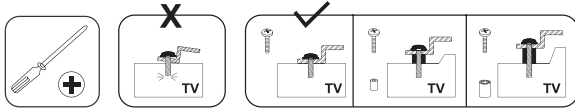


STEP 4

OPTION A: Flat Back Monitor

Mount Monitor Arm (E) to your monitor using M4x8 Screws (M-C) or M4x12 Screws (M-A).

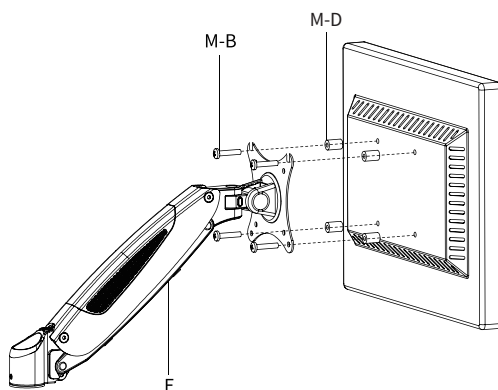
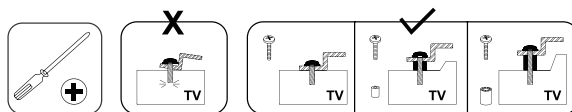
NOTE: Hand tighten screws to avoid stripping the plastic screw heads.



STEP 4 (Continued)

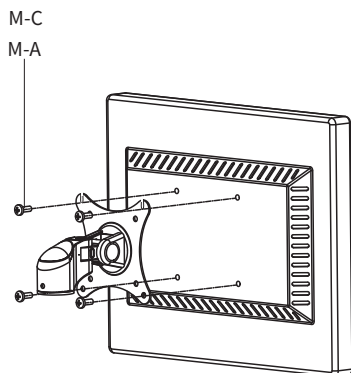
OPTION B: Curved Back Monitor

Mount Monitor Arm (E) to your monitor using M4x30 Screws (M-B) with Spacers (M-D).

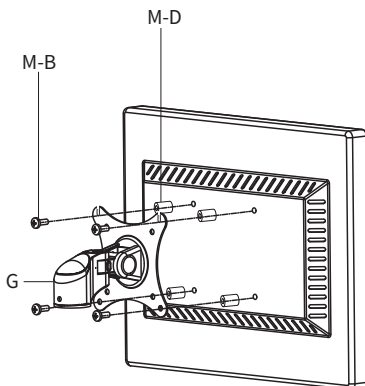


STEP 5

Mount VESA Plate (G) to your monitor using M4x8 Screws (M-C) or M4x12 Screws (M-A) or M4x30 Screws (M-B). If necessary, Spacers (M-D) may be used.

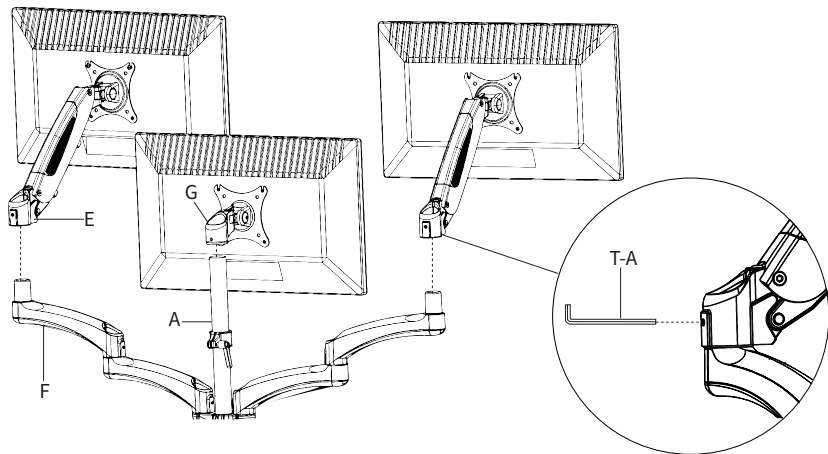


OR



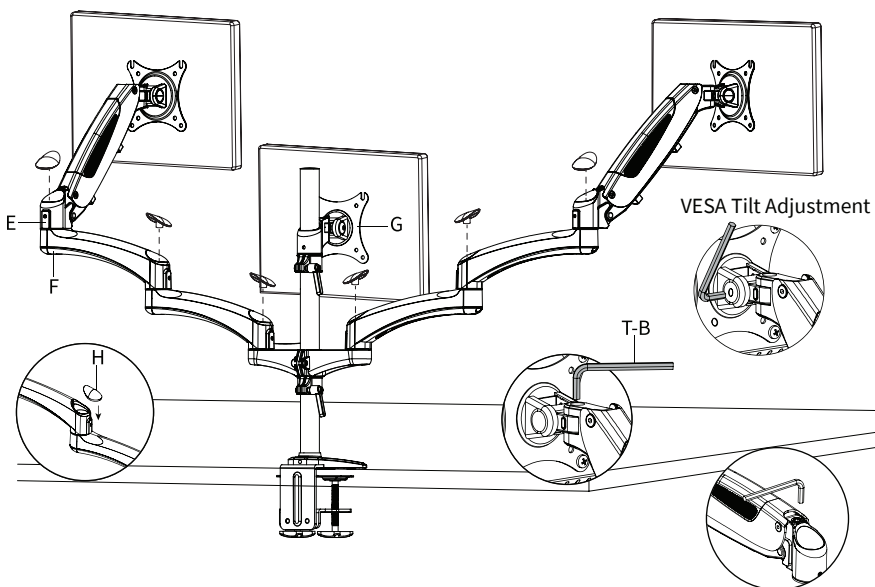
STEP 6

Mount Monitor Arms (E) onto Arm Extensions (F). Slide VESA Plate (G) onto Pole (A). Tighten set screws in the back of Monitor Arms (E) and VESA Plate (G) using 3mm Allen Wrench (T-A).



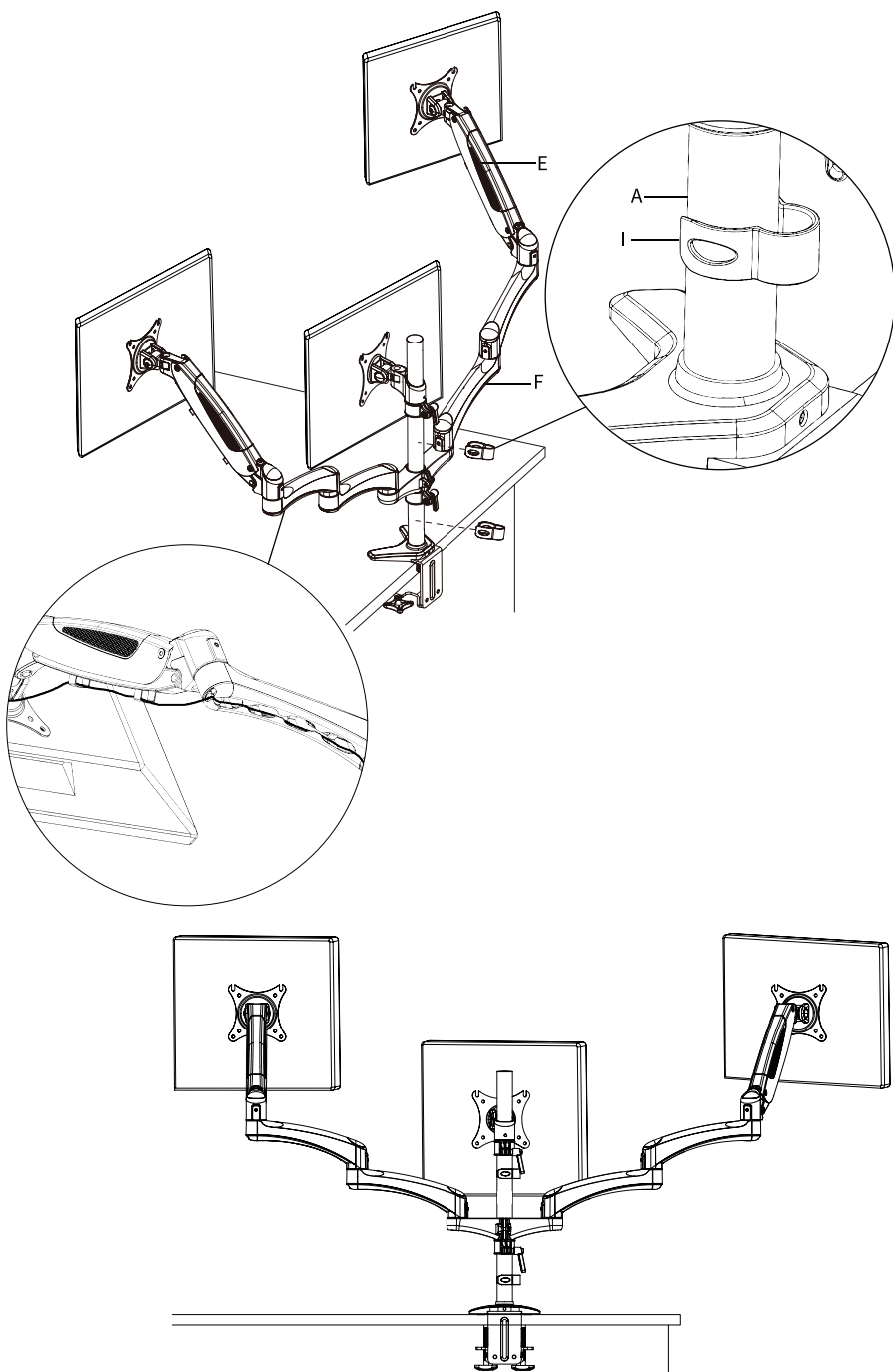
STEP 7

Insert Plastic Covers (H) into Monitor Arms (E) and Arm Extensions (F). Adjust the tilt of Monitor Arms (E) and VESA Plate (G) using 5mm Allen Wrench (T-B). The tension of Monitor Arms (E) can be adjusted using 5mm Allen Wrench (T-B).



STEP 8

Attach Cable Clips (**I**) to Pole (**A**). Manage monitor cables into cable covers on underside of Monitor Arms (**E**), Arm Extensions (**F**) and Cable Clips (**I**). Leave enough slack to allow full adjustment and motion of arms.





Love your new VIVO setup and want to share?
Tag us in your photo! [@vivo_us](#)

LAST UPDATED: 02/16/2023
REV1



Open **Monday - Friday 7:00am - 7:00pm** CST,
our dedicated support team can offer immediate assistance with rapid response times. If any parts are received damaged or defective, please contact us. We are happy to replace parts to ensure you have a fully functioning product.



309-278-5303

AVG. RESOLUTION TIME (*within office hrs*): **5M 4S**



www.vivo-us.com
Chat live with an agent!

AVG. RESOLUTION TIME (*within office hrs*): **< 15 M**



help@vivo-us.com

AVG. RESPONSE TIME (*within office hrs*): **1HR 8M**

- 23% within < 15m
- 38% within < 30m
- 61% within < 1hr
- 83% within < 2hr
- 92% within < 3hr

FOR MORE VIVO PRODUCTS, CHECK OUT OUR WEBSITE AT: www.vivo-us.com