

Pneumatic Arm Dual Ultrawide Monitor Desk Mount

SKU: STAND-V202Q/W

Instruction Manual

Assembly Video & Product Info
www.vivo-us.com/products/stand-v202q



! CAUTION! !

If you do not understand these directions, or if you have any doubts about the safety of the installation, please contact our product support team at 309-278-5303 or help@vivo-us.com for further assistance. Check carefully to make sure there are no missing or defective parts. Improper installation may cause damage or serious injury. Do not use this product for any purpose that is not explicitly specified in this manual. Do not exceed weight capacity. We cannot be liable for damage or injury caused by improper mounting, incorrect assembly or inappropriate use.



WARNING: CHOKING HAZARD

SMALL PARTS - NOT FOR CHILDREN UNDER 3 YEARS. ADULT SUPERVISION IS REQUIRED.



DO NOT EXCEED WEIGHT CAPACITY

FAILURE TO DO SO MAY RESULT IN SERIOUS INJURY.

We're Here for You

Open **Monday - Friday 7:00am - 7:00pm** CST, our dedicated support team can offer immediate assistance with rapid response times. If any parts are received damaged or defective, please contact us. We are happy to replace parts to ensure you have a fully functioning product.



Give us a Call:
309-278-5303

AVG. RESOLUTION TIME (*within office hrs*): **5M 4S**



Chat Us:
www.vivo-us.com

AVG. RESOLUTION TIME (*within office hrs*): **< 15 M**

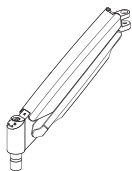


Email Us:
help@vivo-us.com

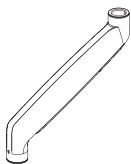
AVG. RESPONSE TIME (*within office hrs*): **1HR 8M**

- 23% within < 15m
- 38% within < 30m
- 61% within < 1hr
- 83% within < 2hr
- 92% within < 3hr

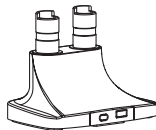
Package Contents



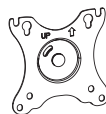
A (x2)
Upper Arm



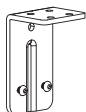
B (x2)
Lower Arm



C (x1)
Base



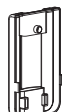
D (x2)
VESA Plate



E (x1)
Upper Clamp



F (x1)
Lower Clamp



G (x1)
Cover

Included Hardware & Tools



S-A (x4)
M6x10mm Screw



S-B (x2)
M8x30mm Screw



M-A (x8)
M4x12mm Screw



M-B (x8)
M5 Washer



T-A (x1)
4mm Allen Wrench



T-B (x1)
5mm Allen Wrench



T-C (x1)
6mm Allen Wrench

Tools Needed:



**Phillips
Screwdriver**

Weight Capacity:



**2.2-35.2lbs
(1-16kg)**

Flat Screen



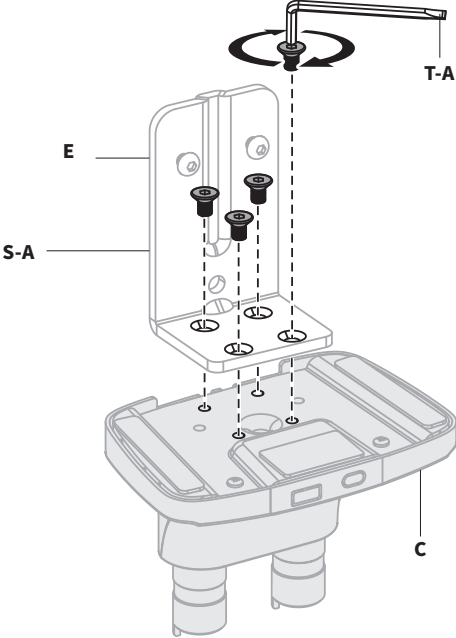
**2.2-28.6lbs
(1-13kg)**

Curved Screen

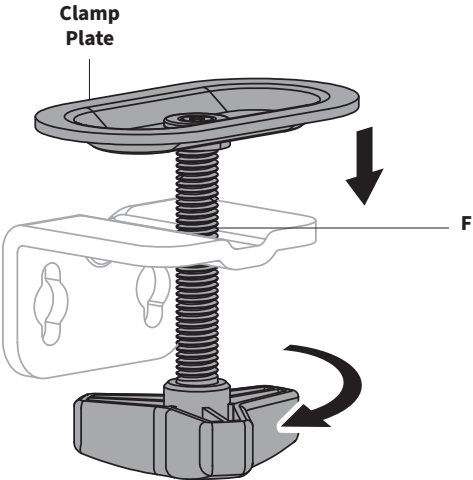
ASSEMBLY STEPS

STEP 1

Attach Upper Clamp (E) to underside of Base (C) using M6x10mm Screws (S-A) and 4mm Allen Wrench (T-A). Set aside.



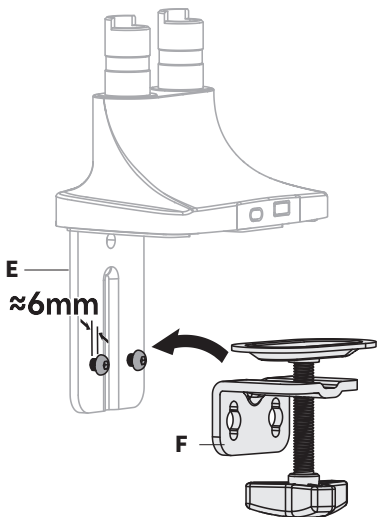
Loosen the knob on Lower Clamp (F) so that the Clamp Plate begins to lower most of the way.



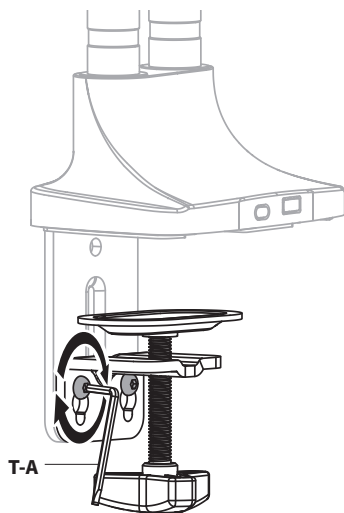
STEP 2

Option 1: Clamp

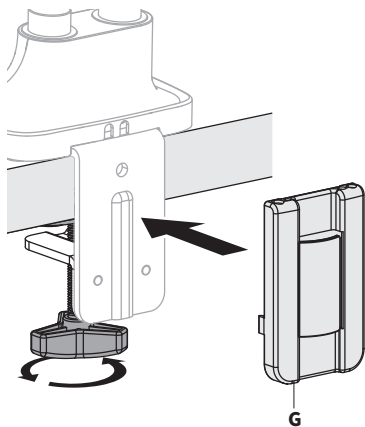
Desktop Thickness 0.40" - 1.77" (10mm - 45mm)



Flip assembly upright and loosen the pre-installed screws on Upper Clamp (E) by hand until there is at least 0.25" (6mm) of clearance.



Place the Lower Clamp (F) over the loosened screws, using the keyholes, and slide down to lock into place. Tighten screws using 4mm Allen Wrench (T-A).

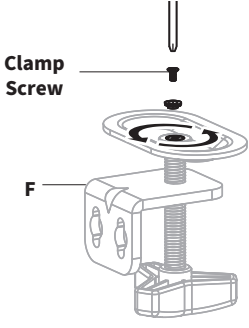


Snap the Cover (G) onto the back of Upper Clamp and secure Clamp to desktop.

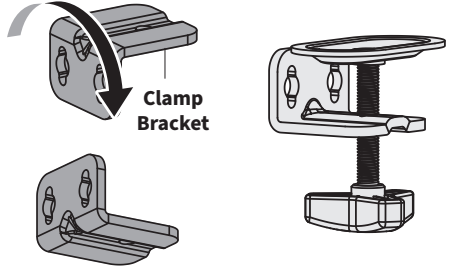
**Proceed to
Step 3 on Pg 8**

Option 2: Clamp

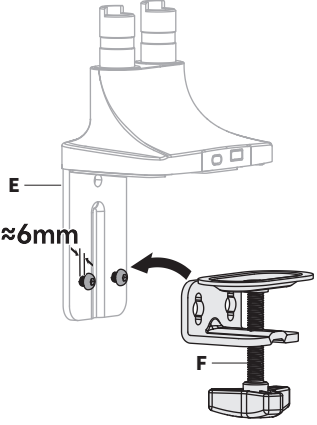
Desktop Thickness 1.77-3.14" (45mm-80mm)



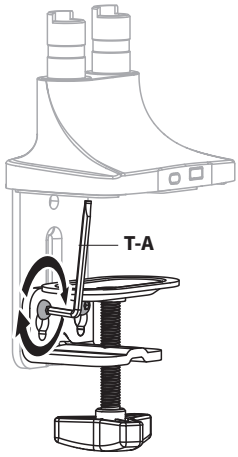
Use a Phillips screwdriver to remove **Clamp Screw** from Lower Clamp (**F**) to disassemble.



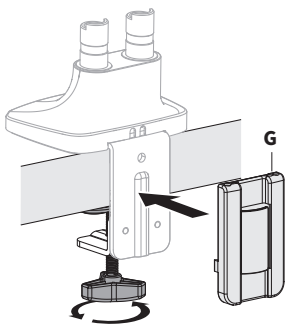
Flip over the **Clamp Bracket** and reassemble Lower Clamp using a Phillips screwdriver.



Loosen the pre-installed screws on Upper Clamp (**E**) by hand until there is at least 0.25" (6mm) of clearance.



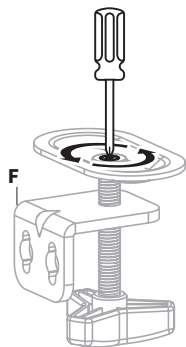
Place the Lower Clamp (**F**) over the loosened screws, using the keyholes, and slide down to lock into place. Tighten screws using 4mm Allen Wrench (**T-A**).



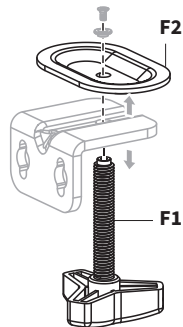
Snap the Cover (**G**) onto the back of Upper Clamp and secure Clamp to desktop.

Proceed to
Step 3 on Pg 8

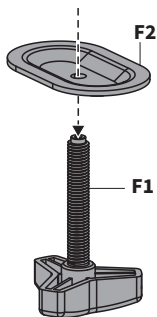
Option 3: Grommet Mount



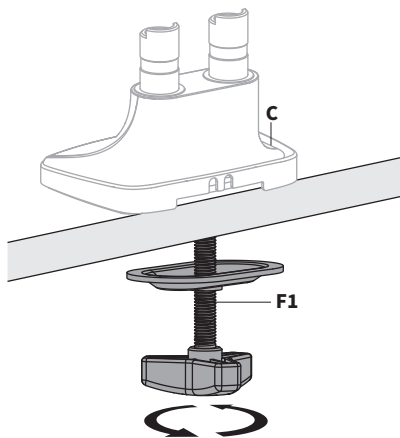
Use a Phillips screwdriver to disassemble Lower Clamp (**F**).



Remove Clamp Bolt (**F1**) and Clamp Plate (**F2**) and set the other components aside.



Thread Clamp Bolt (**F1**) into underside of Clamp Plate (**F2**).



Place Base (**C**) over the grommet hole in your desktop and thread Clamp Bolt (**F1**) into the Base to secure.

**Proceed to
Step 3 on Pg 8**

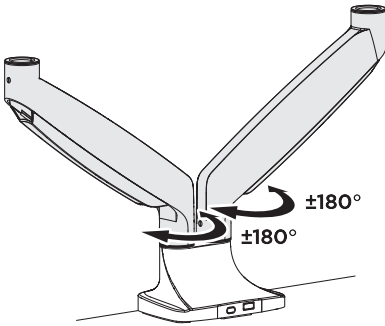


No Grommet Hole?

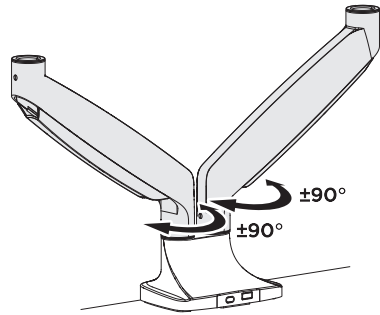
If you do not have an existing hole for installation, drill a hole through your desktop in your desired mounting location using a 3/8" (10mm) drill bit.

**** READ BEFORE PROCEEDING ****

The Monitor Arms can be assembled to have a full 360° rotation or a limited 180° rotation. Follow Rotation Instructions below, then pick the rotation option that fits your setup needs.



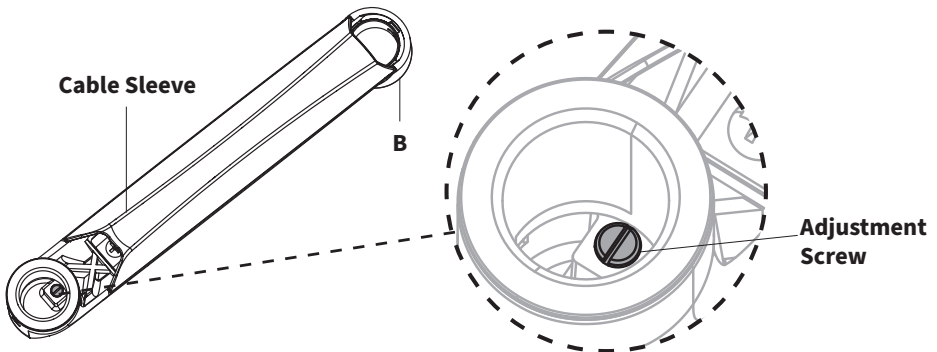
$\pm 180^\circ$ (360°)
Full Rotation



$\pm 90^\circ$ (180°)
Limited Rotation

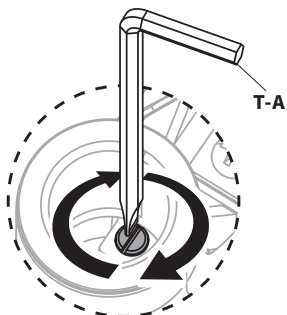
How to Set Rotation

There is a small adjustment screw on the underside of Lower Arms (**B**). To locate, turn Arms upside down so that the cable sleeves are facing up. There will be a small adjustment screw on the inside of both openings at the bottom.



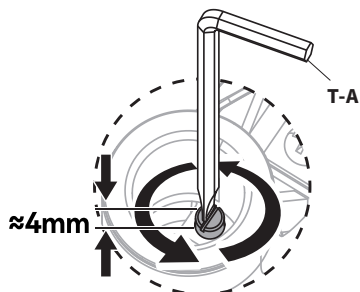
$\pm 180^\circ$ (360°)
Full Rotation

Fully tighten both Adjustment Screws using the flat end on 4mm Allen Wrench (**T-A**).



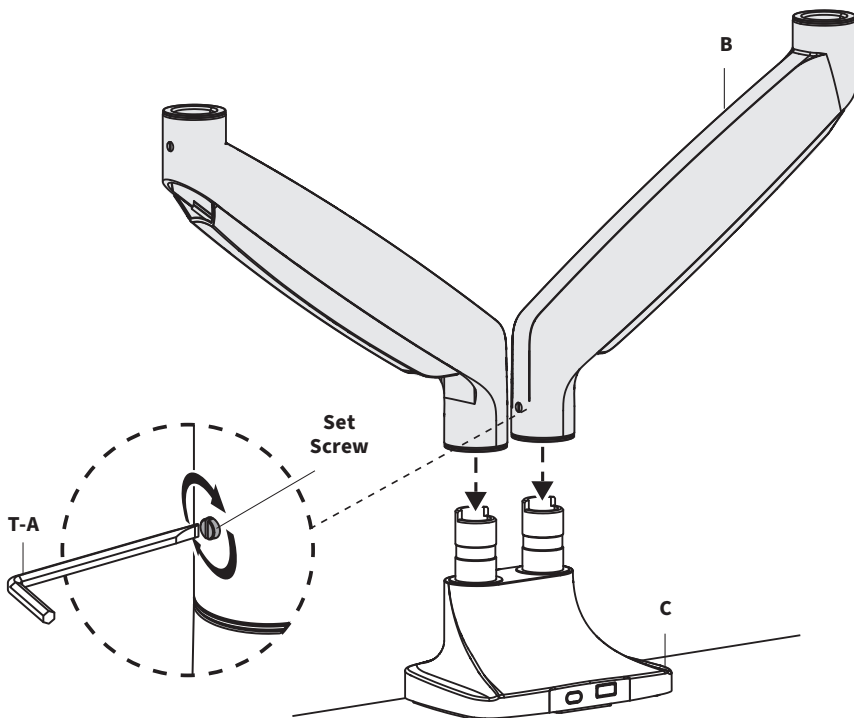
$\pm 90^\circ$ (180°)
Limited Rotation

Loosen both Adjustment Screws using the flat end on 4mm Allen Wrench (**T-A**). The screw should stick out $3/16''$ [4mm].



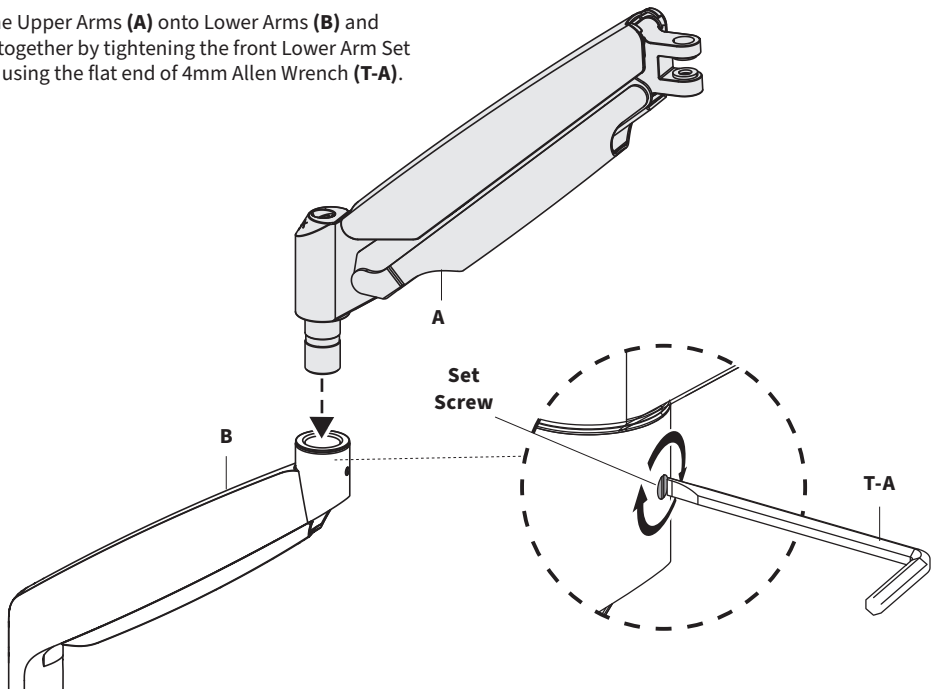
STEP 4

Slide Lower Arms (**B**) onto Base (**C**) and tighten the Set Screws on the back of both Arms using the flat end of 4mm Allen Wrench (**T-A**) to secure.



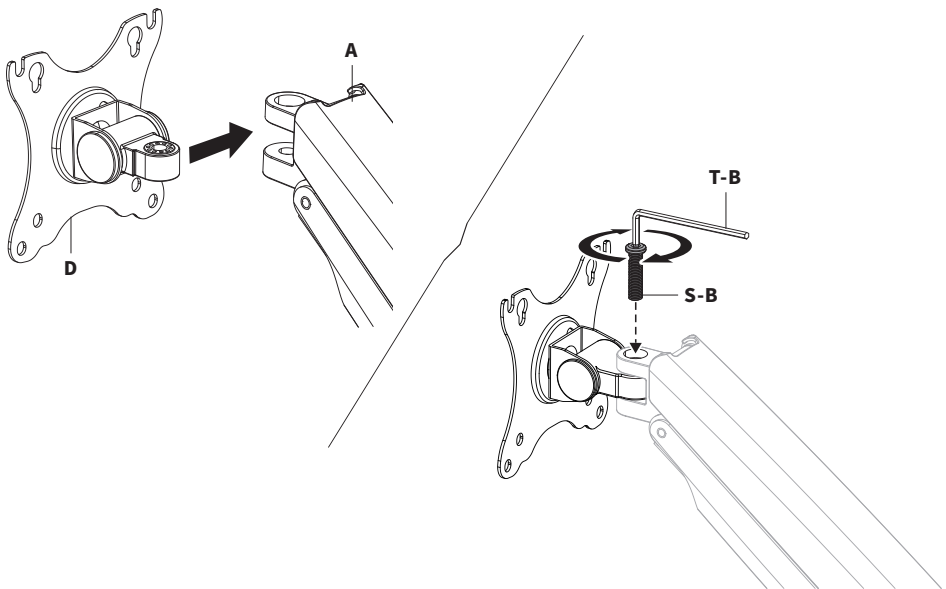
STEP 5

Slide the Upper Arms (A) onto Lower Arms (B) and secure together by tightening the front Lower Arm Set Screws using the flat end of 4mm Allen Wrench (T-A).



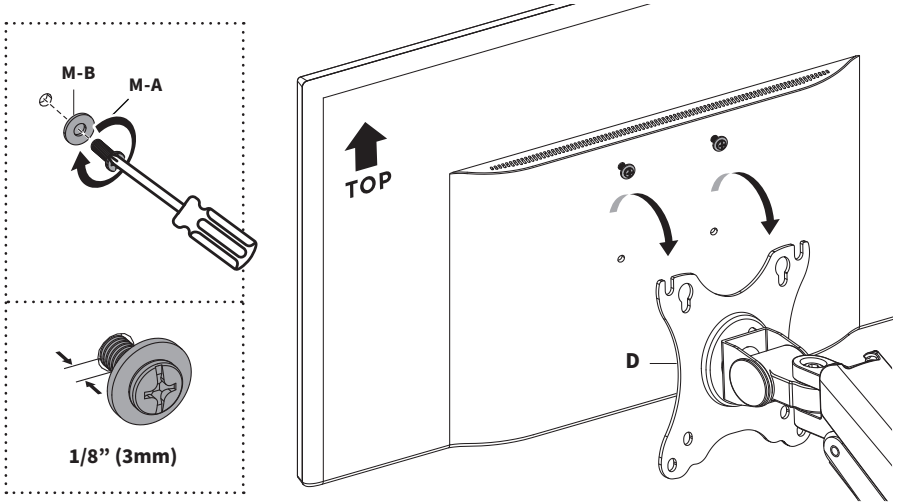
STEP 6

Slide VESA Plate (D) onto the head of of Upper Arms (A) and secure in place using M8x30mm Screw (S-B) and 5mm Allen Wrench (T-B).

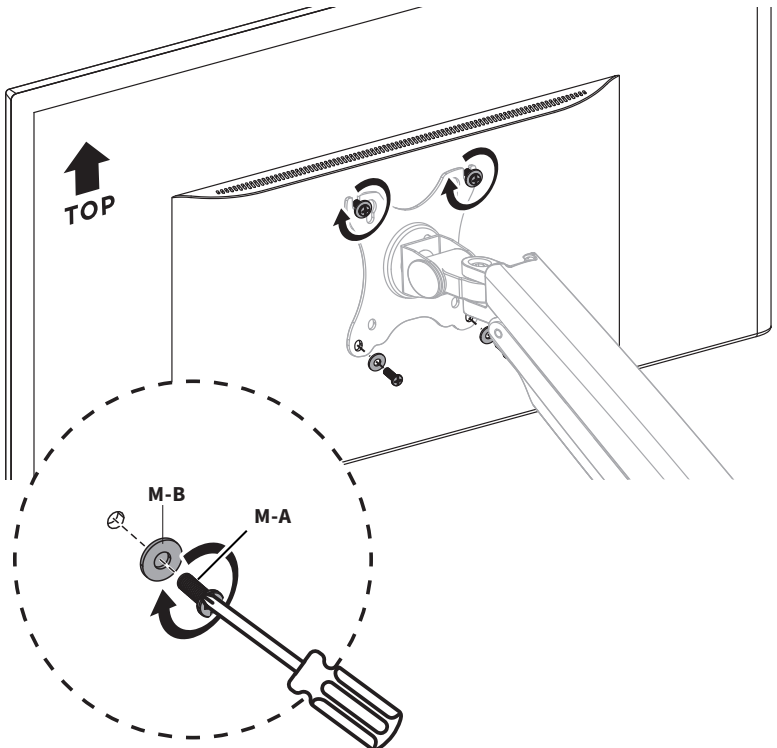


STEP 7

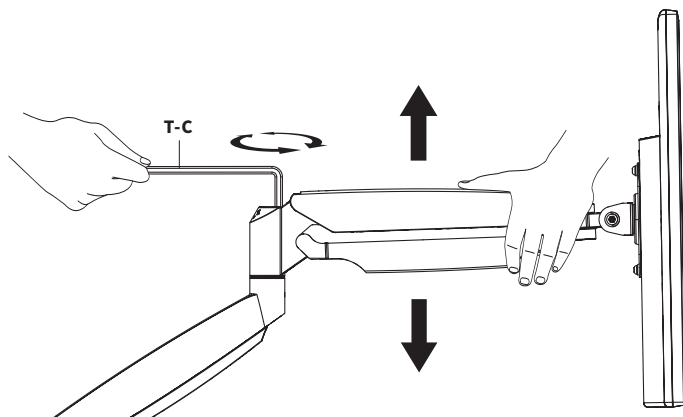
Install two M4x12mm Screws (**M-A**) and M5 Washers (**M-B**) into the top VESA holes of each screen, leaving around 1/8" (3mm) protruding out, using a Phillips screwdriver. Then, slide the screens onto VESA Plate (**D**) with the screws sliding onto the VESA slots.



Install the remaining M4x12mm Screws (**M-A**) and M5 Washers (**M-B**). Tighten all screws using a Phillips screwdriver.



Adjusting Monitor Height



1 Position Mount Arm

Position the arm horizontally, as shown above, and firmly hold in place.

2 Insert 6mm Allen Wrench (T-C) Into Adjustment Screw

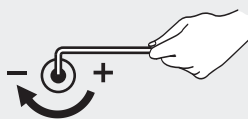
Insert the 6mm Allen Wrench (T-C) in to the adjustment screw on the back of the monitor arm.

3 Turn 10-20x to Set Monitor Height

Turn mm Allen Wrench (T-C) 10-20 times to obtain proper support for your monitor. Use the guide below to adjust the tension according to the amount of counterbalance needed to support the monitor.

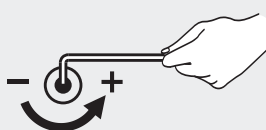
Tension Adjustment Guide

Clockwise:
Decrease Support
[if monitor will not lower]



Turn the adjustment screw **clockwise** to **decrease** the support for your monitor, allowing it to be lowered.

Counter-Clockwise
Increase Support
[if monitor will not raise]

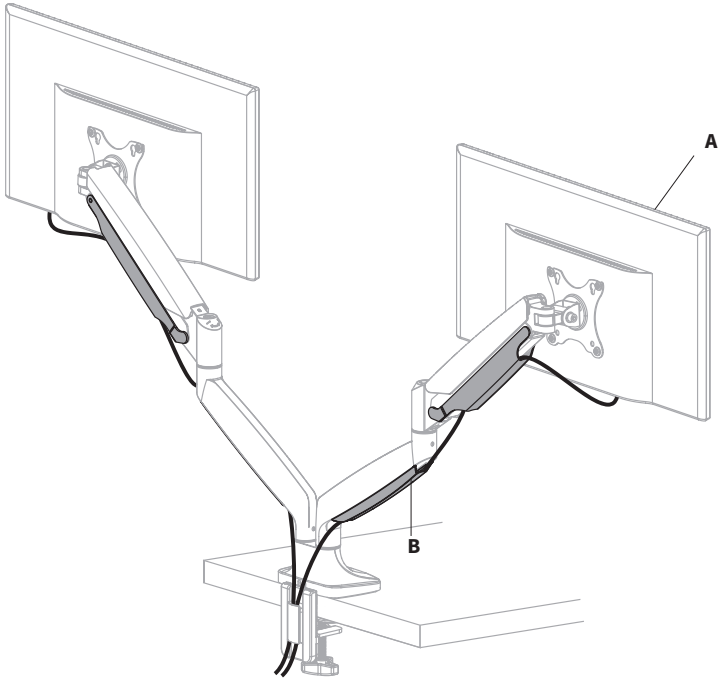


Turn the adjustment screw **counter-clockwise** to **increase** the support for your monitor, allowing it to be raised up.

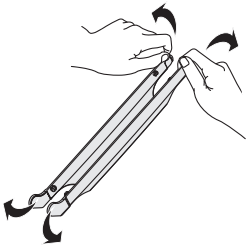
Note: Requires 10-20 Turns

STEP 7

Route cables through Sleeves on Upper and Lower Arms (A, B).

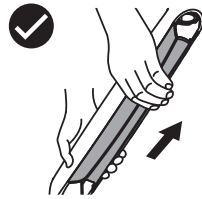


Upper Arm (A) Cable Sleeve



To remove Upper Arm Sleeve, gently pull apart.

Lower Arm (B) Cable Sleeve



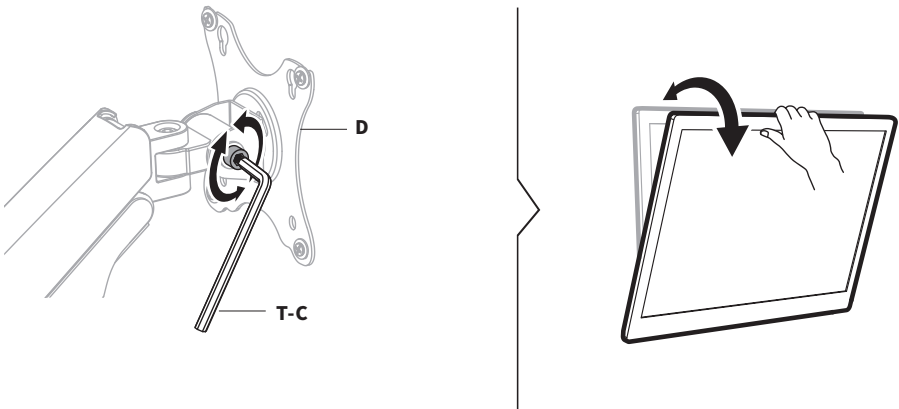
To remove Lower Arm Sleeve, slide the sleeve upwards. Replace when routing is complete.



Adjust as Desired

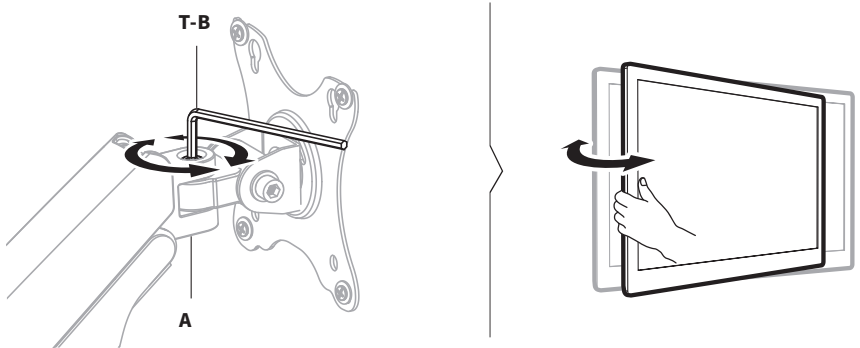
Tilt Joint

Adjust the tilt joint resistance on VESA Plate (D) using 6mm Allen Wrench (T-C).

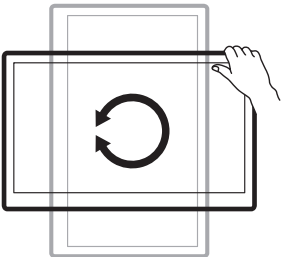


Swivel

Adjust the swivel resistance on Upper Arm (A) using 5mm Allen Wrench (T-B).

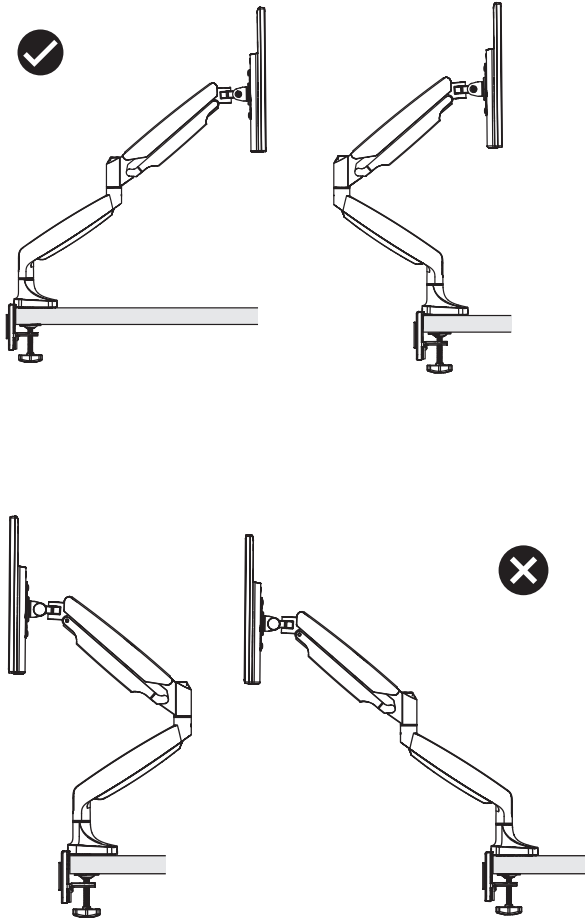


Rotation



 **WARNING** 

Ensure the display is always positioned over the desk surface to prevent damage.



LAST UPDATED: 04/25/2024
REV3

STAND-V202Q v2.0
STAND-V202QW v1.0



Need Help? Get In Touch

Monday-Friday from 7:00am-7:00pm CST



help@vivo-us.com



www.vivo-us.com

Chat live with an agent!



309-278-5303



VIVO-us @vivo_us

FOR MORE GREAT VIVO PRODUCTS,
CHECK OUT OUR WEBSITE AT: WWW.VIVO-US.COM