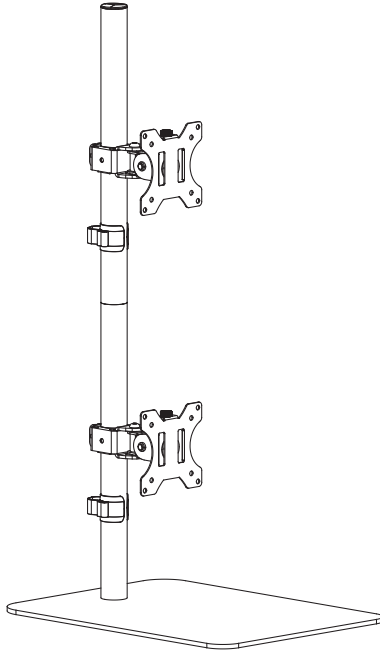




---

## Dual Ultrawide Vertical Monitor Desk Stand Instruction Manual



**SKU: STAND-V200L**



Scan the QR code with your mobile device or follow the link for helpful videos and specifications related to this product.

<https://vivo-us.com/products/stand-v200l>

---

GET IN TOUCH | Monday-Friday from 7:00am-7:00pm CST



help@vivo-us.com



www.vivo-us.com  
*Chat live with an agent!*



309-278-5303

# **WARNING!**

If you do not understand these directions, or if you have any doubts about the safety of the installation, please call a qualified technician. Check carefully to make sure there are no missing or defective parts. Improper installation may cause damage or serious injury. Do not use this product for any purpose that is not explicitly specified in this manual. Do not exceed weight capacity. We cannot be liable for damage or injury caused by improper mounting, incorrect assembly or inappropriate use.

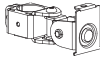
## **WARNING: CHOKING HAZARD**

SMALL PARTS - NOT FOR CHILDREN UNDER 3 YEARS. ADULT SUPERVISION IS REQUIRED.

### PACKAGE CONTENTS



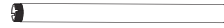
**A (x2)**  
VESA Plate



**B (x2)**  
VESA Bracket



**C (x1)**  
Base



**D (x1)**  
Lower Pole



**E (x1)**  
Upper Pole



**F (x1)**  
Pole Cap



**G (x2)**  
Cable Clip



**H (x4)**  
Pad



**S-A (x3)**  
M6x16mm  
Screw



**S-B (x2)**  
M6x10mm  
Thumbscrew



**M-A (x8)**  
M4x12mm  
Screw



**M-B (x8)**  
M4x16mm  
Screw



**M-C (x8)**  
M5x12mm  
Screw



**M-D (x8)**  
M5x16mm  
Screw



**M-E (x8)**  
M5 Washer



**M-F (x8)**  
Spacer



**T-A (x1)**  
4mm Allen  
Wrench



**T-B (x1)**  
6mm Allen  
Wrench

### TOOLS NEEDED

**NOTE:** SOME HARDWARE MAY NOT BE USED



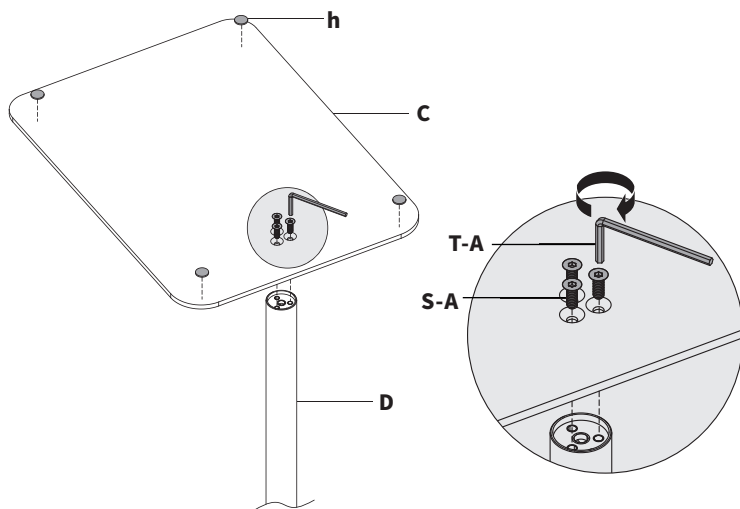
**DO NOT EXCEED WEIGHT CAPACITY.**  
Failure to do so may result in serious injury.



## ASSEMBLY STEPS

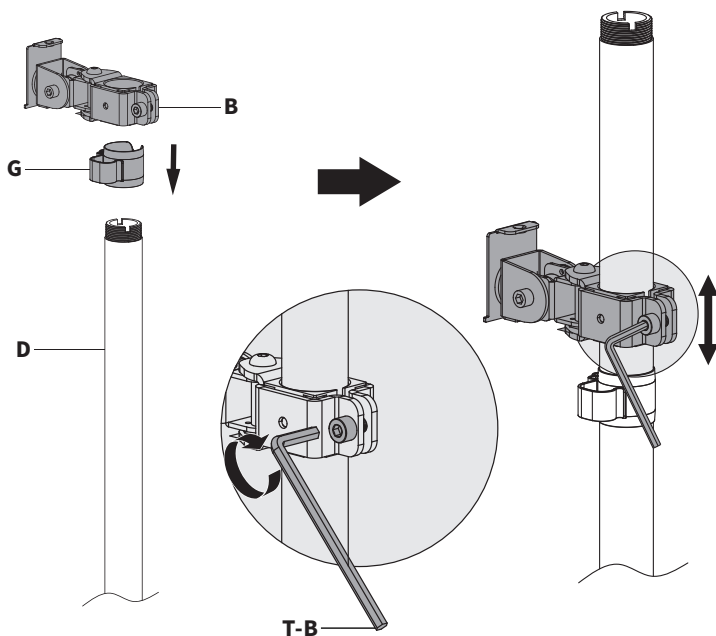
### STEP 1

Install Lower Pole (**D**) to Base (**C**) using M6x16mm Screws (**S-A**) and 4mm Allen Wrench (**T-A**). Remove protective film from Pads (**H**) and apply them to Base (**C**) as shown.



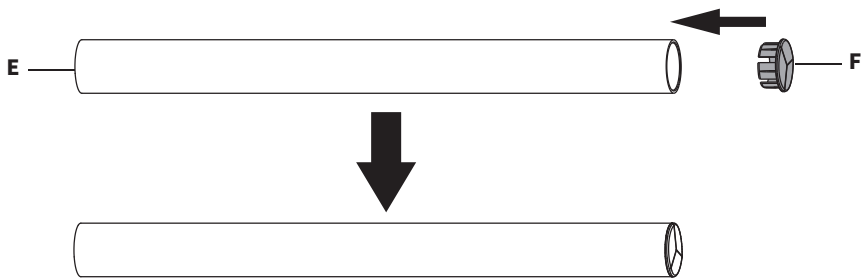
### STEP 2

Slide Pole Cable Clip (**G**) and one VESA Bracket (**B**) onto Lower Pole (**D**). Adjust the height location of VESA Bracket (**B**) and tighten using the 6mm Allen Wrench (**T-B**).



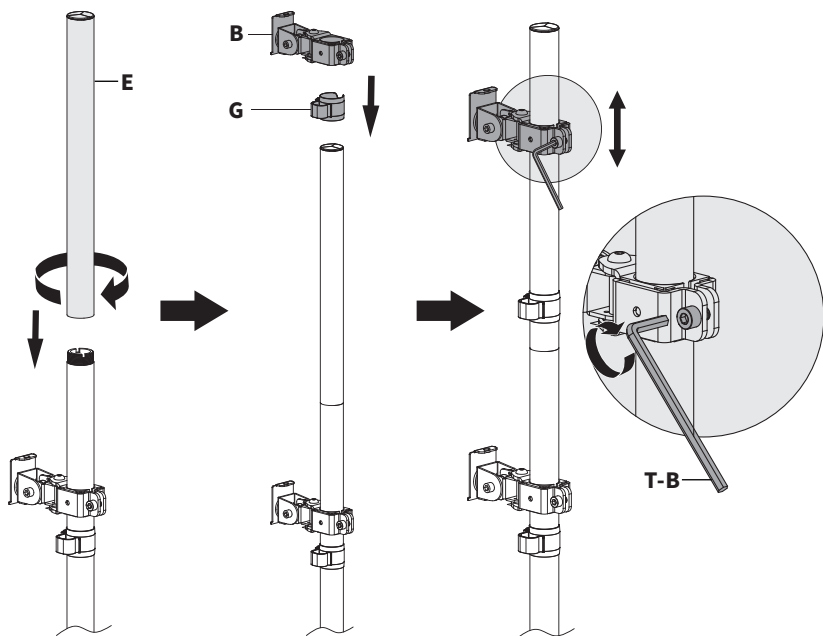
### STEP 3

Press Pole Cap (**F**) into Upper Pole (**E**), using the side without internal threading.



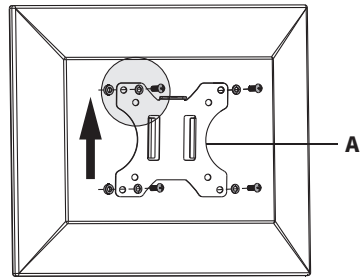
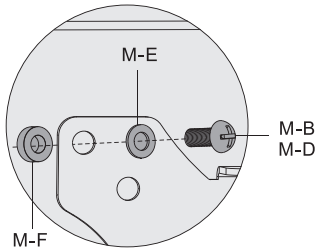
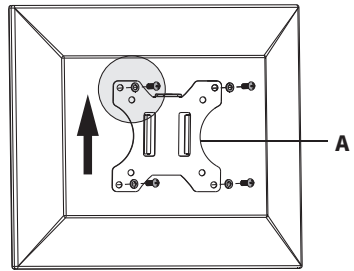
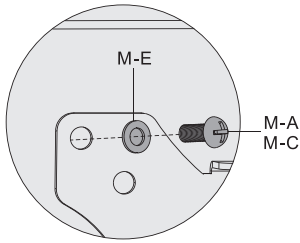
### STEP 4

Screw Upper Pole (**E**) onto Lower Pole (**D**). Slide remaining Cable Clip (**G**) and VESA Bracket (**B**) onto Upper Pole (**E**). Adjust the height location of VESA Bracket (**B**) and tighten using the 6mm Allen Wrench (**T-B**).



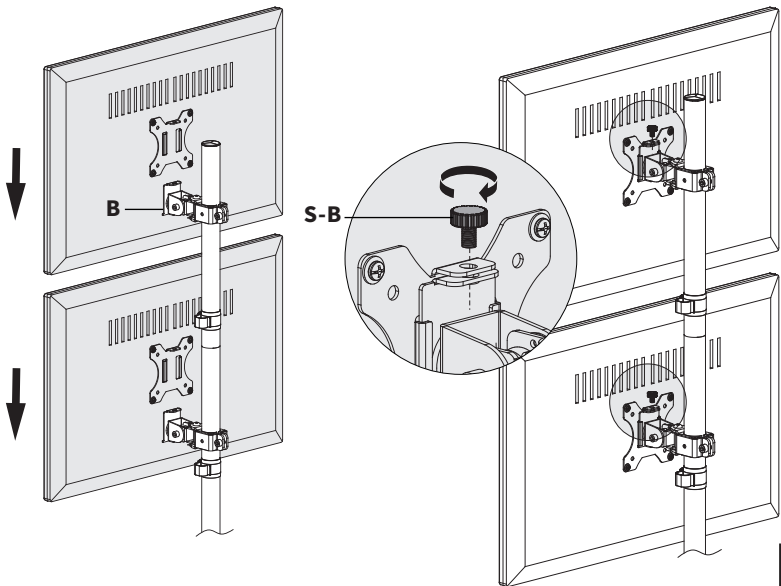
## STEP 5

Mount VESA Plates (**A**) to monitors using appropriate Screws (**M-A thru M-D**), M8 Washers (**M-E**), and Spacers (**M-F**).



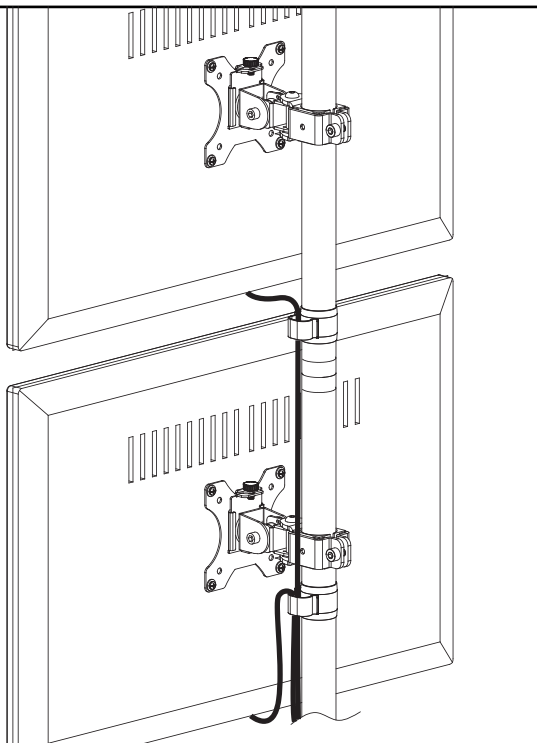
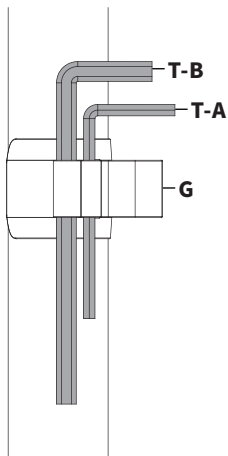
## STEP 6

Slide monitors with VESA Plates onto VESA Brackets (**B**) and secure using M6x10mm Thumbscrew (**S-B**).



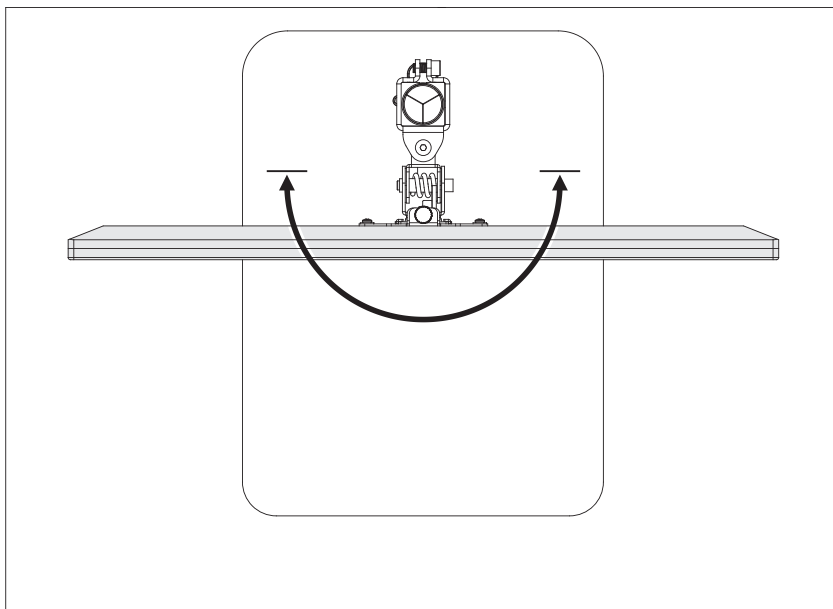
## STEP 7

Use Cable Clips (**G**) to route cables.  
Store Allen Wrenches (**T-A**, **T-B**) in  
slots of Clips.



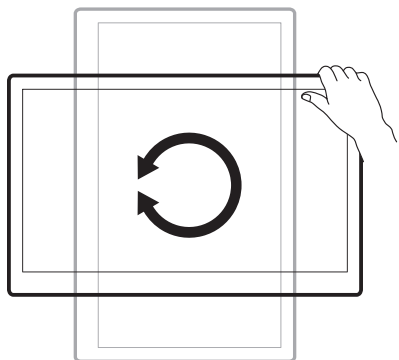
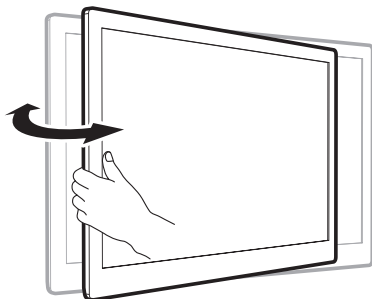
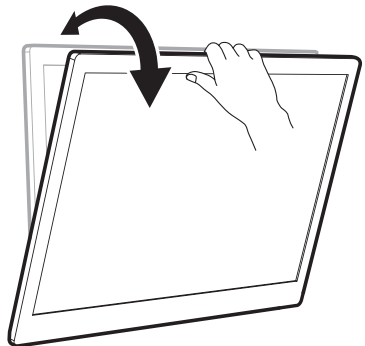
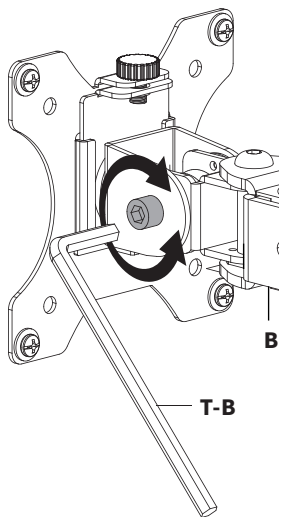
## WARNING

Always keep monitors positioned over the desktop within the arrow range shown.



# ADJUST AS DESIRED

Use 6mm Allen Wrench (**T-B**) to loosen or tighten Monitor Bracket (**B**) tension.





Open **Monday - Friday 7:00am - 7:00pm** CST,  
our dedicated support team can offer immediate assistance with rapid response times. If any parts are received damaged or defective, please contact us. We are happy to replace parts to ensure you have a fully functioning product.



309-278-5303

**AVG. RESOLUTION TIME** (*within office hrs*): **5M 4S**



[www.vivo-us.com](http://www.vivo-us.com)  
*Chat live with an agent!*

**AVG. RESOLUTION TIME** (*within office hrs*): **< 15 M**



[help@vivo-us.com](mailto:help@vivo-us.com)

**AVG. RESPONSE TIME** (*within office hrs*): **1HR 8M**

- 23% within < 15m
- 38% within < 30m
- 61% within < 1hr
- 83% within < 2hr
- 92% within < 3hr