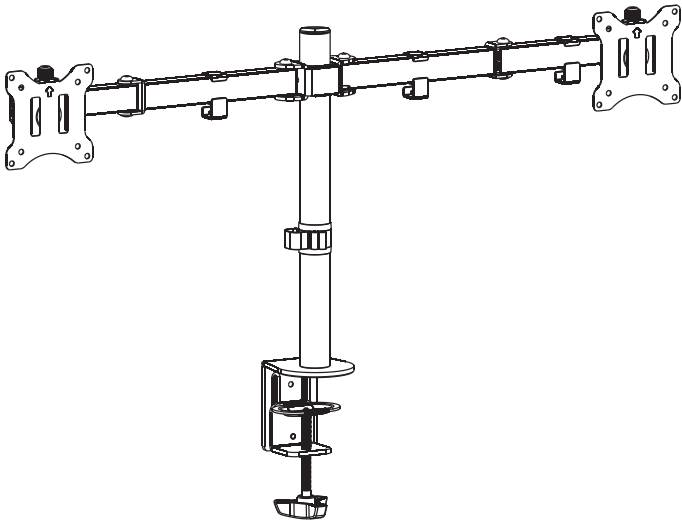




---

## Dual Monitor Desk Mount Instruction Manual



**SKU: STAND-V200B**



Scan the QR code with your mobile device or follow the link for helpful videos and specifications related to this product.

<https://vivo-us.com/products/stand-v200b>

---

**GET IN TOUCH** | Monday-Friday from 7:00am-7:00pm CST



help@vivo-us.com



www.vivo-us.com  
*Chat live with an agent!*



309-278-5303

# **WARNING!**

If you do not understand these directions, or if you have any doubts about the safety of the installation, please call a qualified technician. Check carefully to make sure there are no missing or defective parts. Improper installation may cause damage or serious injury. Do not use this product for any purpose that is not explicitly specified in this manual. Do not exceed weight capacity. We cannot be liable for damage or injury caused by improper mounting, incorrect assembly or inappropriate use.

## **TIPOVER WARNING**

SERIOUS OR FATAL CRUSHING INJURIES CAN OCCUR FROM TIPOVER. TO HELP PREVENT TIPOVER:

- NEVER ALLOW CHILDREN TO CLIMB, STAND, HANG, OR PLAY ON ANY PART OF MONITOR OR STAND.
- USE TIPOVER RESTRAINT OR ANCHOR STAND TO WALL

**USE OF TIPOVER RESTRAINTS MAY ONLY REDUCE, BUT NOT ELIMINATE RISK OF TIPOVER.**

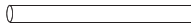
## **WARNING: CHOKING HAZARD**

SMALL PARTS - NOT FOR CHILDREN UNDER 3 YEARS. ADULT SUPERVISION IS REQUIRED.

## PACKAGE CONTENTS



**A (x1)**  
Arm



**B (x1)**  
Pole



**C (x1)**  
Clamp



**D (x2)**  
VESA Plate



**E (x1)**  
Pole Cable  
Clip



**F (x4)**  
Arm Cable  
Clip



**G (x1)**  
Pole Cap



**H (x3)**  
M6x16



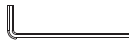
**I (x2)**  
M3x8



**J (x2)**  
Knob



**K (x1)**  
4mm Allen  
Wrench



**L (x1)**  
6mm Allen  
Wrench



**M-A (x8)**  
M4x12



**M-B (x8)**  
M4x16



**M-C (x8)**  
M5x12



**M-D (x8)**  
M5x16



**M-E (x8)**  
D5 Washer



**M-F (x8)**  
Spacer

**NOTE: SOME HARDWARE INCLUDED MAY NOT BE USED**

## TOOLS NEEDED



DO NOT EXCEED WEIGHT CAPACITY.

Failure to do so may result in serious injury.

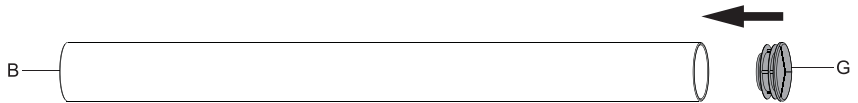
17.6lbs  
(8 kg)

PER SCREEN

## ASSEMBLY STEPS

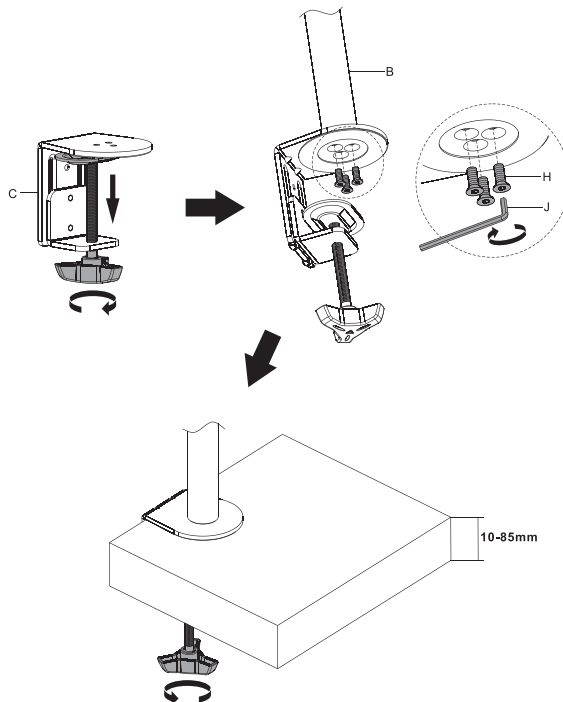
### STEP 1

Attach the pole cap (**G**) to the top of the pole (**B**).



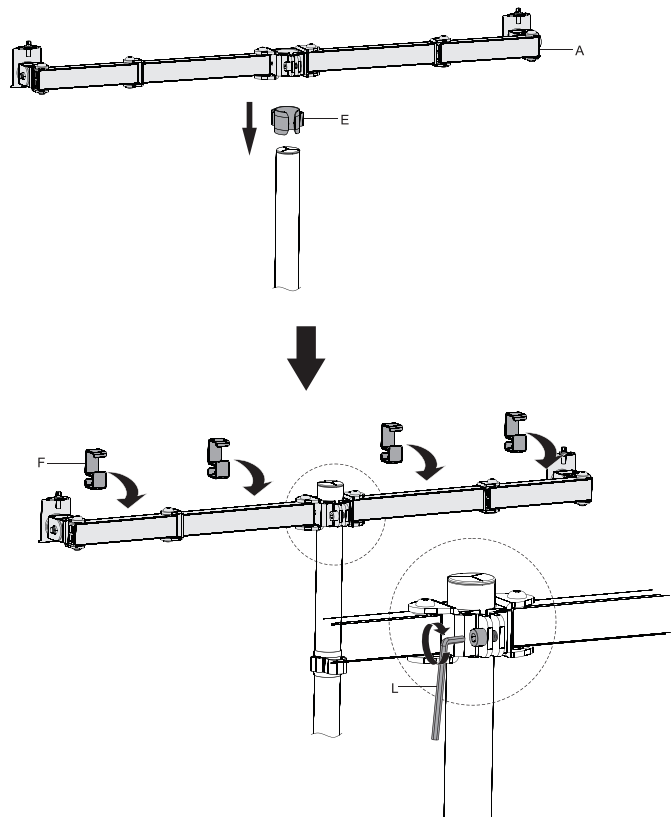
### STEP 2

Attach the pole (**B**) to the clamp (**C**) using M6x16 bolts (**H**) and tighten using the 4mm Allen wrench (**K**). Attach the clamp (**C**) to the desktop.



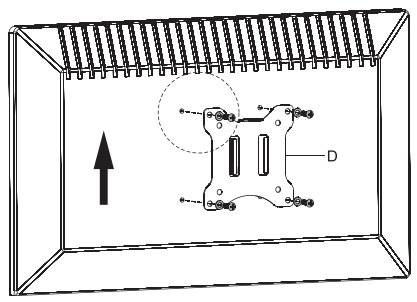
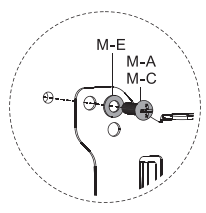
### STEP 3

Slide the pole cable clip (E) and arm (A) onto the pole (B) and tighten using the 6mm Allen wrench (L). Attach the arm cable clips (F) to the arm (A).



### STEP 4

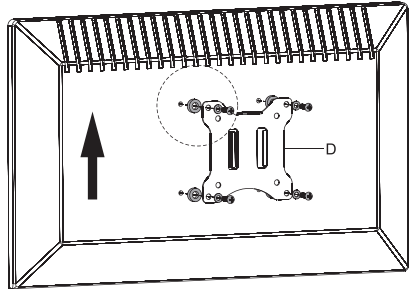
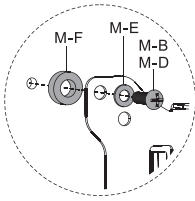
**OPTION A: Flat Back Monitor**  
Attach the VESA plates (D) to the monitors using bolts (M-A or M-C) and washers (M-E). Tighten with a Phillips screwdriver.



## STEP 4 (Continued)

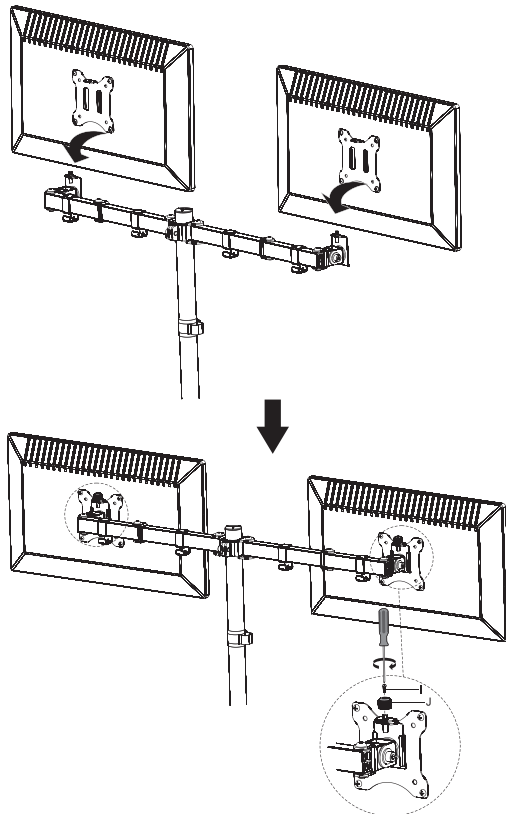
### OPTION B: Curved Back Monitor

Attach the VESA plates (**D**) to the monitors using bolts (**M-B** or **M-D**), washers (**M-E**) and spacers (**M-F**). Tighten with a Phillips screwdriver.



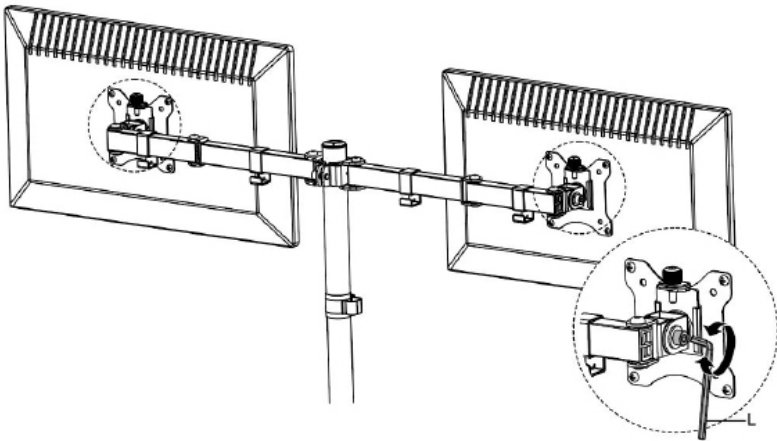
## STEP 5

Slide the VESA plates (**D**) onto the arm (**A**) and secure using the knobs (**J**) with M3x8 bolts (**I**).



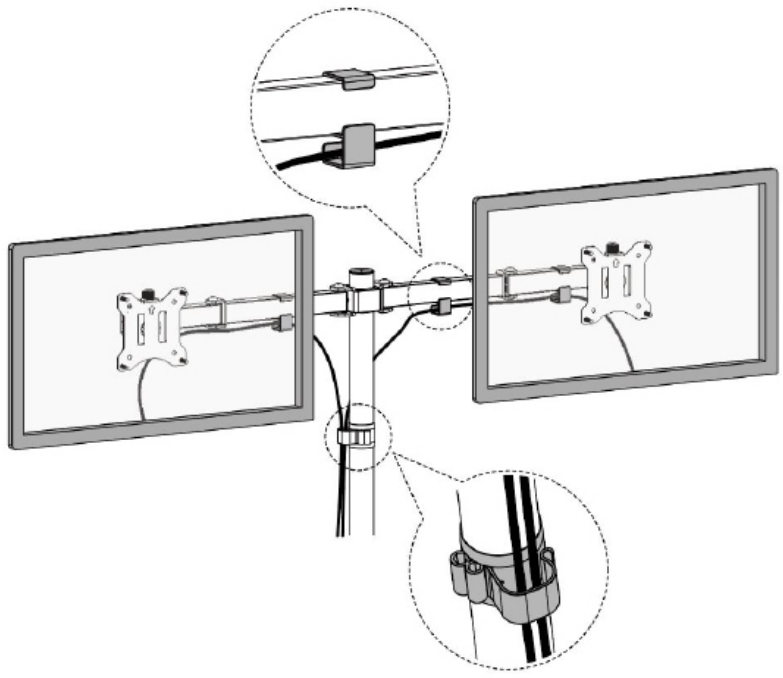
## STEP 6

Tighten or loosen the tilt joint using the 6mm Allen wrench (**L**).



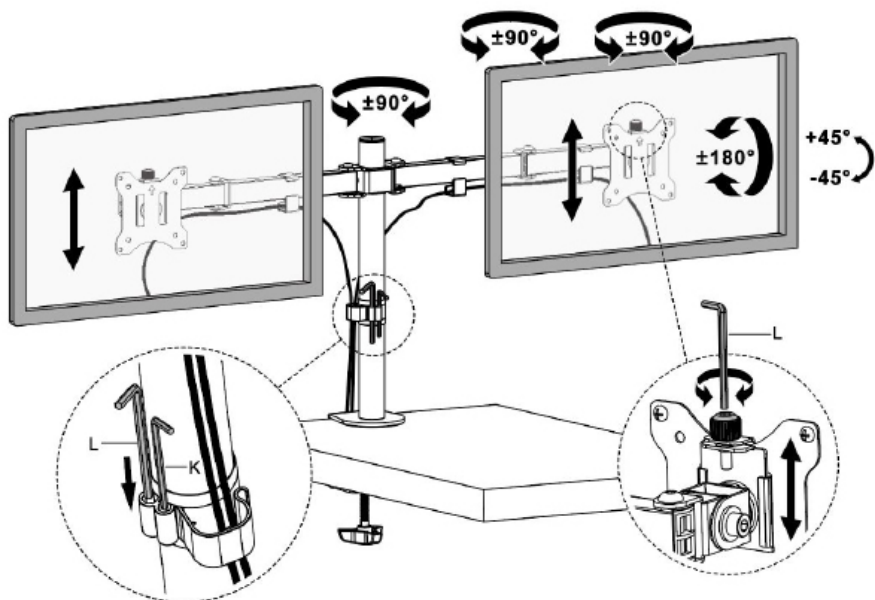
## STEP 7


Route cables through the cable management clips (**E,F**).



## STEP 8

Turn the knobs (**J**) by hand or using the 6mm Allen wrench (**L**) to adjust the monitor height for leveling. Store tools in the cable clip.



 Love your new VIVO setup and want to share?  
Tag us in your photo! **@vivo\_us**

LAST UPDATED: 09/11/2020



Open **Monday - Friday 7:00am - 7:00pm** CST,  
our dedicated support team can offer immediate assistance with rapid response times. If any parts are received damaged or defective, please contact us. We are happy to replace parts to ensure you have a fully functioning product.


 [help@vivo-us.com](mailto:help@vivo-us.com)

**AVG. RESPONSE TIME** (*within office hrs*): **1HR 8M**

- 23% within < 15m
- 38% within < 30m
- 61% within < 1hr
- 83% within < 2hr
- 92% within < 3hr

 [www.vivo-us.com](http://www.vivo-us.com)  
*Chat live with an agent!*

**AVG. RESOLUTION TIME** (*within office hrs*): **< 15 M**

 309-278-5303

**AVG. RESOLUTION TIME** (*within office hrs*): **5M 4S**

FOR MORE VIVO PRODUCTS, CHECK OUT OUR WEBSITE AT: [www.vivo-us.com](http://www.vivo-us.com)