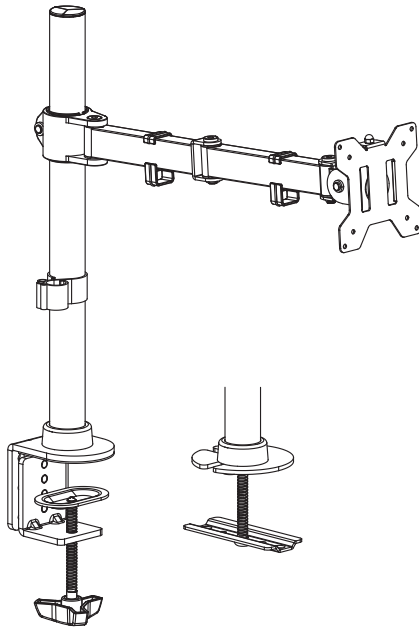




Single Ultrawide Monitor Desk Mount

Instruction Manual



SKU: STAND-V149



Scan the QR code with your mobile device or follow the link for helpful videos and specifications related to this product.

<https://vivo-us.com/products/stand-v149>

GET IN TOUCH | Monday-Friday from 7:00am-7:00pm CST



help@vivo-us.com



www.vivo-us.com
Chat live with an agent!



309-278-5303



WARNING!

If you do not understand these directions, or if you have any doubts about the safety of the installation, please contact our product support team at 309-278-5303 or help@vivo-us.com for further assistance. Check carefully to make sure there are no missing or defective parts. Improper installation may cause damage or serious injury. Do not use this product for any purpose that is not explicitly specified in this manual. Do not exceed weight capacity. We cannot be liable for damage or injury caused by improper mounting, incorrect assembly or inappropriate use.



TIPOVER WARNING

SERIOUS OR FATAL CRUSHING INJURIES CAN OCCUR FROM TIPOVER. TO HELP PREVENT TIPOVER:

- NEVER ALLOW CHILDREN TO CLIMB, STAND, HANG, OR PLAY ON ANY PART OF MONITOR OR STAND.
- USE TIPOVER RESTRAINT OR ANCHOR STAND TO WALL

USE OF TIPOVER RESTRAINTS MAY ONLY REDUCE, BUT NOT ELIMINATE RISK OF TIPOVER.



WARNING: CHOKING HAZARD

SMALL PARTS - NOT FOR CHILDREN UNDER 3 YEARS. ADULT SUPERVISION IS REQUIRED.



DO NOT EXCEED WEIGHT CAPACITY.

Failure to do so may result in serious injury.

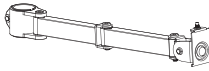
PACKAGE CONTENTS



A (x1)
Pole



B (x1)
Clamp



C (x1)
Swivel Arm



D (x1)
VESA Plate



E (x1)
Pole Cap



F (x2)
Cable Clip



G (x1)
Pole Cable Clip



H (x1)
Grommet Plate



I (x1)
Plastic Cover



J (x1)
Support Plate



K (x5)
Soft Pad



S-A (x1)
M6 Security Nut



S-B (x1)
M10x90mm Screw



M-A (x4)
M4x12mm Thumbscrew



M-B (x4)
M4x30mm Screw



M-C (x4)
Spacer



T-A (x1)
3mm Allen Wrench



T-B (x1)
6mm Allen Wrench

NOTE: SOME HARDWARE INCLUDED MAY NOT BE USED

TOOLS NEEDED



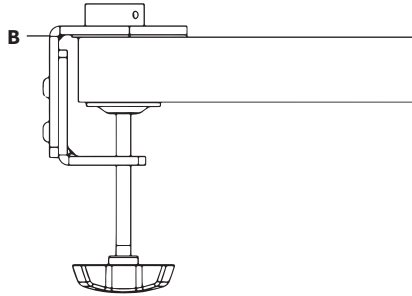
**Phillips
Screwdriver**

ASSEMBLY STEPS

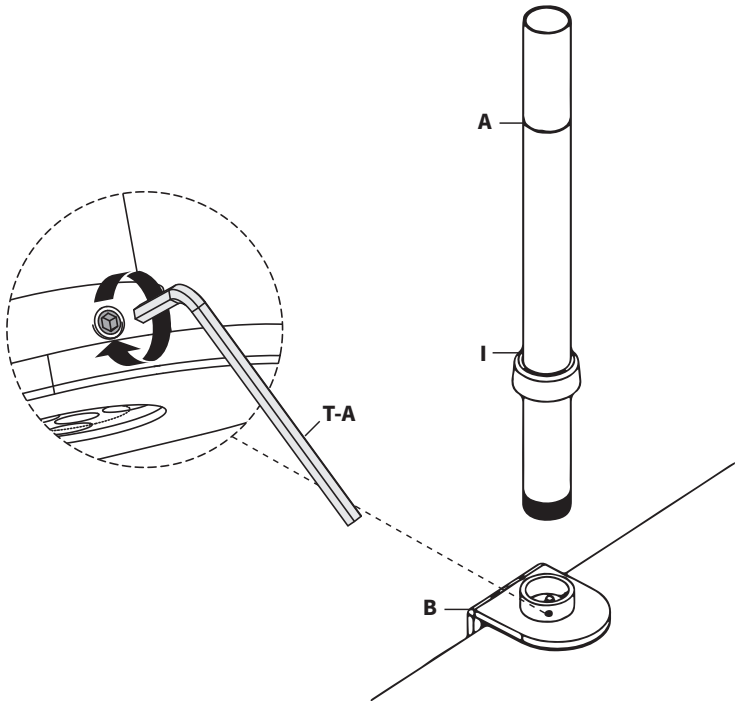
STEP 1a

OPTION A: Desk Clamp Install

Mount Clamp (B) to the desktop and tighten using the plastic knob.



Tightly thread Pole (A) onto Clamp (B) to ensure a snug connection between these two parts. Tighten the set screws in Clamp (B) using 3mm Allen Wrench (T-A) and then slide the Plastic Cover (I) down over Clamp (B) pressing firmly in place.

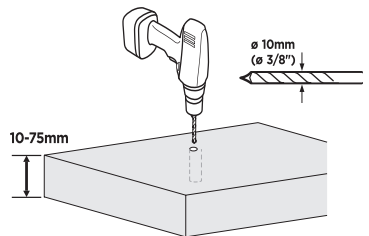


**Proceed to
Step 2 on Page 6**

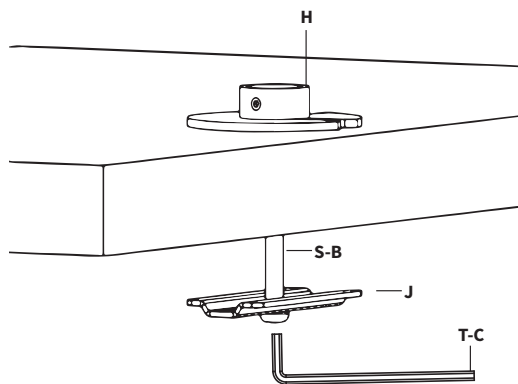
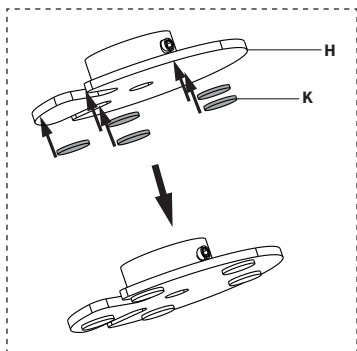
STEP 1b

Option B: Grommet Install

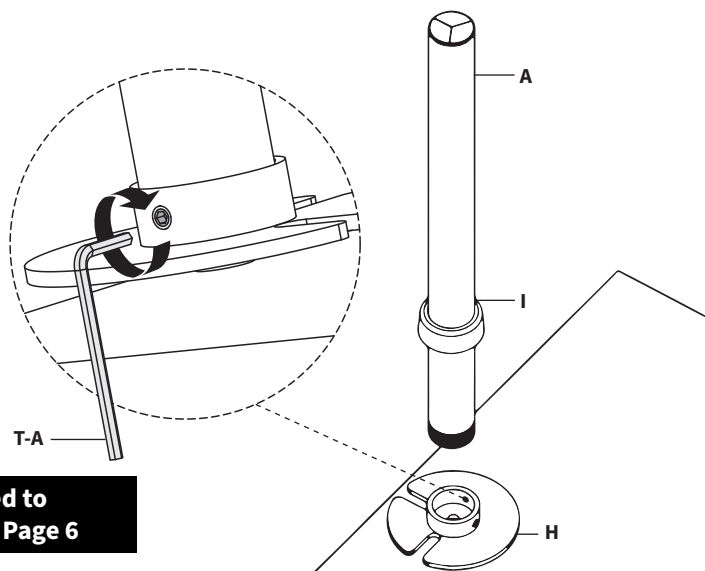
If desk does not have an existing grommet hole, drill a 3/8" (10mm) diameter hole at the desired position through the mounting surface.



Attach Soft Pads (K) to under side of Grommet Plate (H). Secure Grommet Plate (H) to the desktop using M10x90mm Screw (S-B) with Support Plate (J) and 6mm Allen Wrench (T-C).



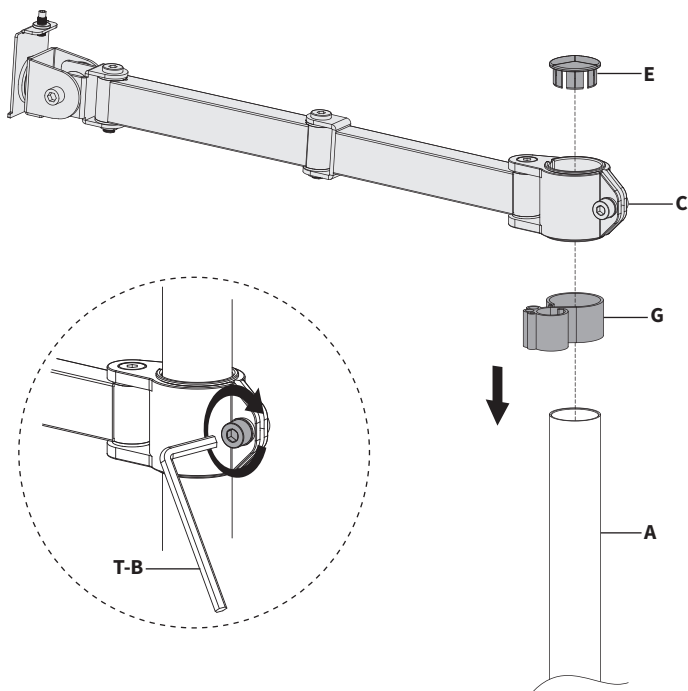
Tightly thread Pole (A) onto Grommet Plate (H) and ensure a snug connection between both parts. Tighten the set screws in Grommet Plate (H) using 3mm Allen Wrench (T-A) and then slide Plastic Cover (I) over Grommet Plate (H) pressing firmly in place.



**Proceed to
Step 2 on Page 6**

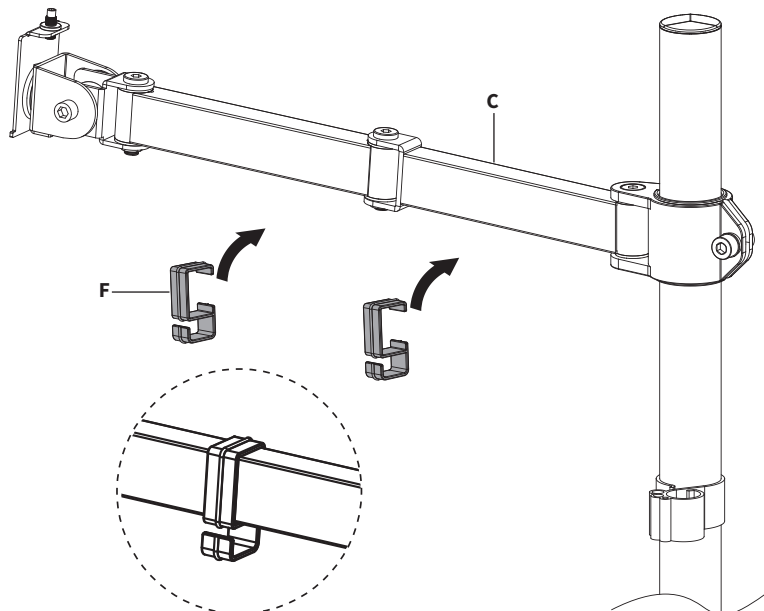
STEP 2

Slide Pole Cable Clip (**G**) and Swivel Arm (**C**) onto Pole (**A**). Tighten Swivel Arm (**C**) at desired height using 6mm Allen Wrench (**T-B**). Insert Pole Cap (**E**) into top of Pole (**A**).



STEP 3

Attach Cable Clips (**F**) onto each segment of Swivel Arm (**C**).

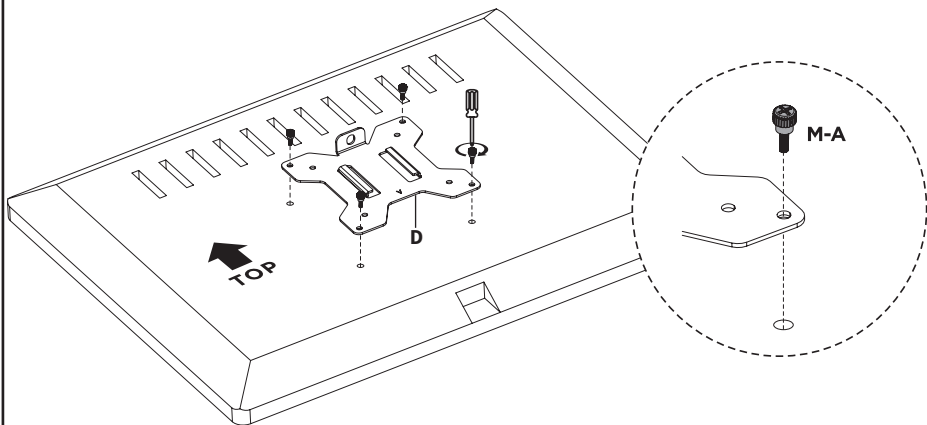
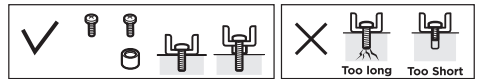


STEP 4

OPTION A: Flat Back Monitor

Attach the VESA plate (D) to the monitor with M4x12mm Thumbscrews (M-A).

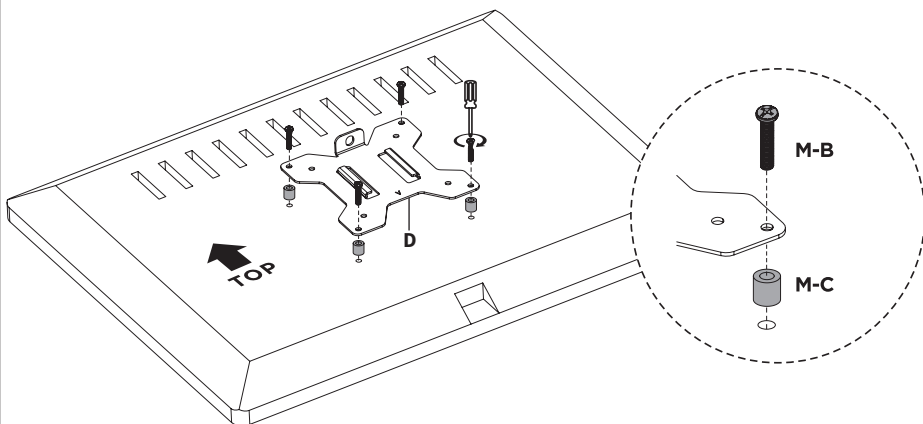
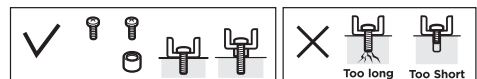
NOTE: Hand tighten screws to avoid over tightening.



OPTION B: Recessed Back Monitor

Attach the VESA Plate (D) to the monitor with M4x30mm Screws (M-B) and Spacers (M-C).

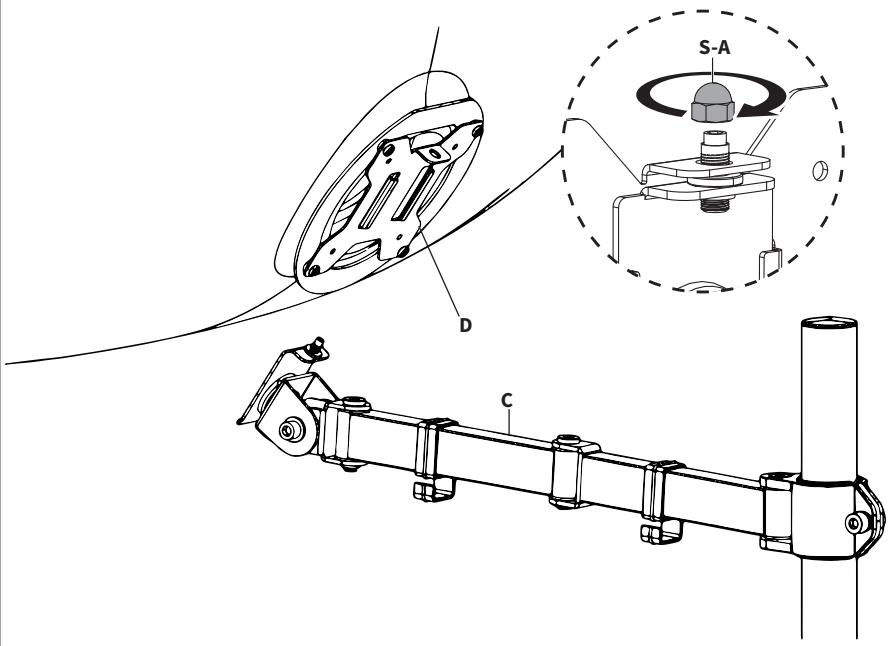
NOTE: Gently tighten using a screwdriver



STEP 5

Slide VESA Plate (D) with monitor onto the head of Swivel Arm (C). Install M6 Security Nut (S-A).

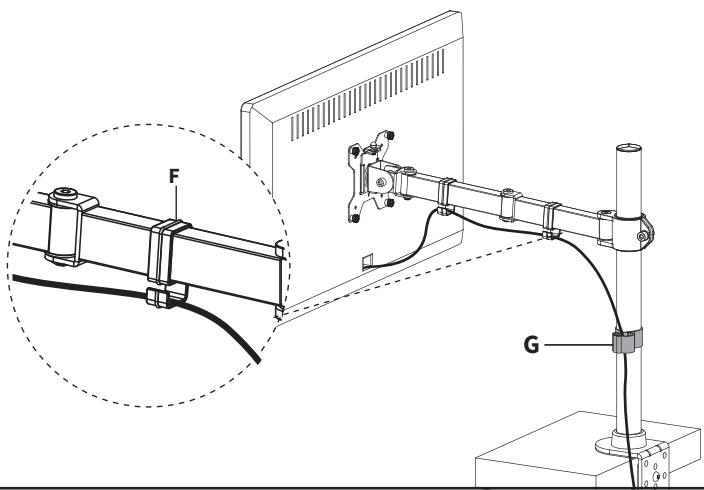
NOTE: Ensure the security nut is installed before you rotate the monitor.



! WARNING !

Large monitors can be very difficult to mount by yourself. Please use caution and have someone assist you with mounting and adjusting your monitor to avoid possible damage or injury.

Manage cables using Cable Clips (F) and Pole Cable Clip (G).



40" TO 45" MONITORS

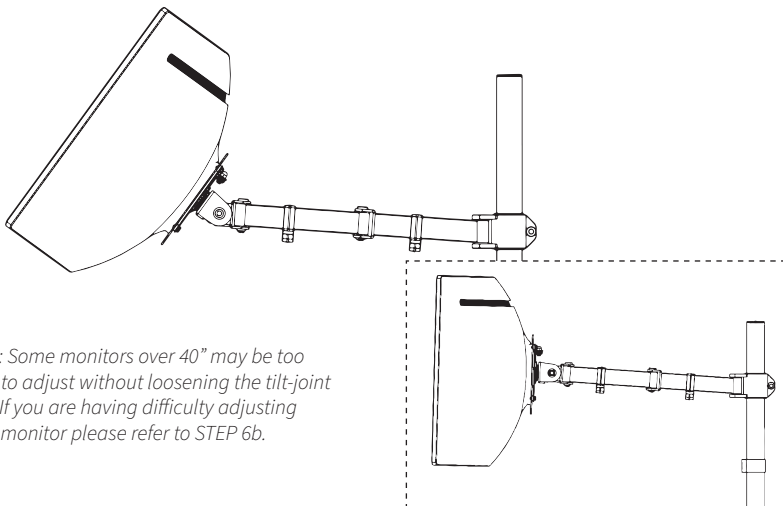


WARNING



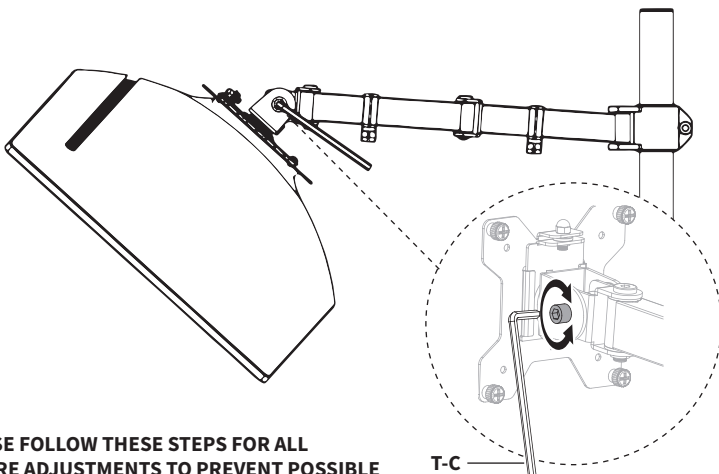
Large monitors can be very difficult to adjust by yourself. Please use caution and have someone assist you with adjusting your monitor to avoid possible damage or injury.

The tilt-joint has been pre-tightened and larger monitors may tilt upward when mounted. Slowly adjust the monitor angle downward by hand until it is at your desired angle.



Note: Some monitors over 40" may be too light to adjust without loosening the tilt-joint first. If you are having difficulty adjusting your monitor please refer to STEP 6b.

If you go past your desired angle and want to adjust the monitor angle upward, use Long 6mm Allen Wrench (**T-C**) to loosen the tilt-joint then adjust monitor to desired angle and retighten the tilt-joint.



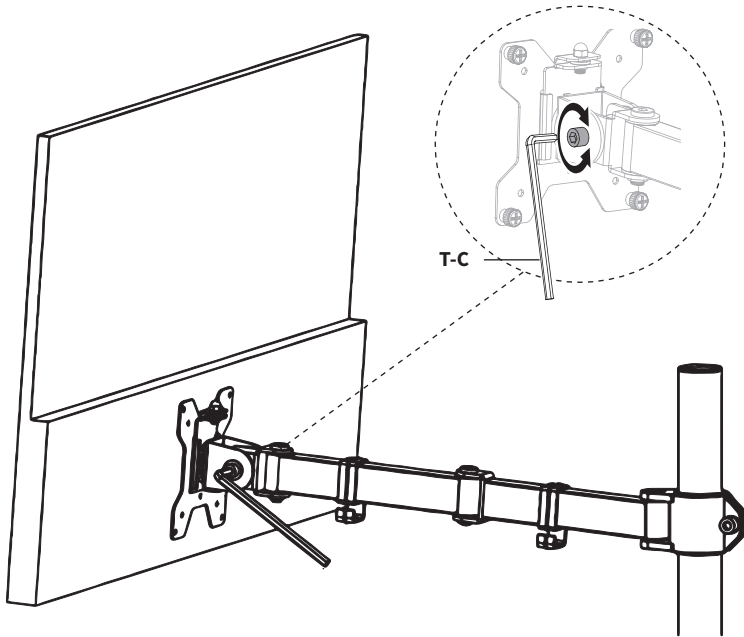
PLEASE FOLLOW THESE STEPS FOR ALL FUTURE ADJUSTMENTS TO PREVENT POSSIBLE DAMAGE OR INJURY.

T-C

32" TO 40" MONITORS

Use long 6mm Allen Wrench (**T-C**) to loosen the tilt-joint then adjust monitor to desired angle. Once fully adjusted, retighten the tilt-joint.

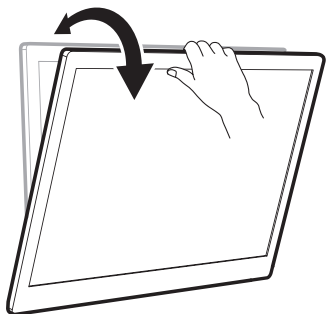
NOTE: Two people may still be necessary for installing and adjusting the monitor depending on your unique screen and mounting configuration.



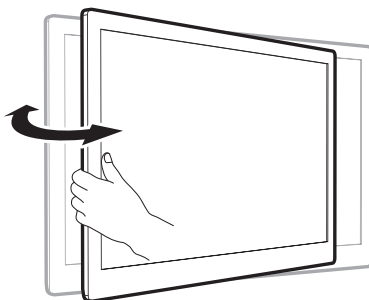
PLEASE FOLLOW THESE STEPS FOR ALL FUTURE ADJUSTMENTS TO PREVENT POSSIBLE DAMAGE OR INJURY.

Further Adjustments

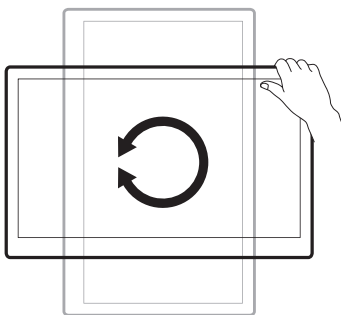
Adjust monitor as desired. **For 40" to 45" monitors, please follow instruction in Step 6a for tilt adjustments.**



+90° to -90° Tilt



360° Swivel



360° Rotation



WARNING



Large monitors can be very difficult to adjust by yourself.
Please use caution and have someone assist you with
adjusting your monitor to avoid possible damage or injury.



Open **Monday - Friday 7:00am - 7:00pm** CST,
our dedicated support team can offer immediate assistance with rapid response times. If any parts are received damaged or defective, please contact us. We are happy to replace parts to ensure you have a fully functioning product.



www.vivo-us.com
Chat live with an agent!

AVG. RESOLUTION TIME (*within office hrs*): **< 15 M**



309-278-5303

AVG. RESOLUTION TIME (*within office hrs*): **5M 4S**



help@vivo-us.com

AVG. RESPONSE TIME (*within office hrs*): **1HR 8M**

- 23% within < 15m
- 38% within < 30m
- 61% within < 1hr
- 83% within < 2hr
- 92% within < 3hr