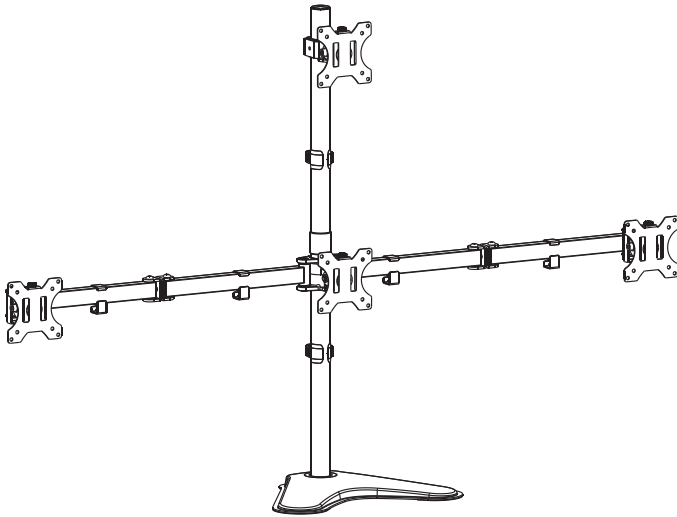




---

## Quad Monitor Desk Stand

### Instruction Manual



**SKU: STAND-V104B**



Scan the QR code with your mobile device or follow the link for helpful videos and specifications related to this product.

<https://vivo-us.com/products/stand-v104b>

---

GET IN TOUCH | Monday-Friday from 7:00am-7:00pm CST



help@vivo-us.com



www.vivo-us.com  
*Chat live with an agent!*



309-278-5303

## ⚠️ WARNING!

If you do not understand these directions, or if you have any doubts about the safety of the installation, please call a qualified technician. Check carefully to make sure there are no missing or defective parts. Improper installation may cause damage or serious injury. Do not use this product for any purpose that is not explicitly specified in this manual. Do not exceed weight capacity. We cannot be liable for damage or injury caused by improper mounting, incorrect assembly or inappropriate use.

## ⚠️ TIPOVER WARNING

SERIOUS OR FATAL CRUSHING INJURIES CAN OCCUR FROM TIPOVER. TO HELP PREVENT TIPOVER:

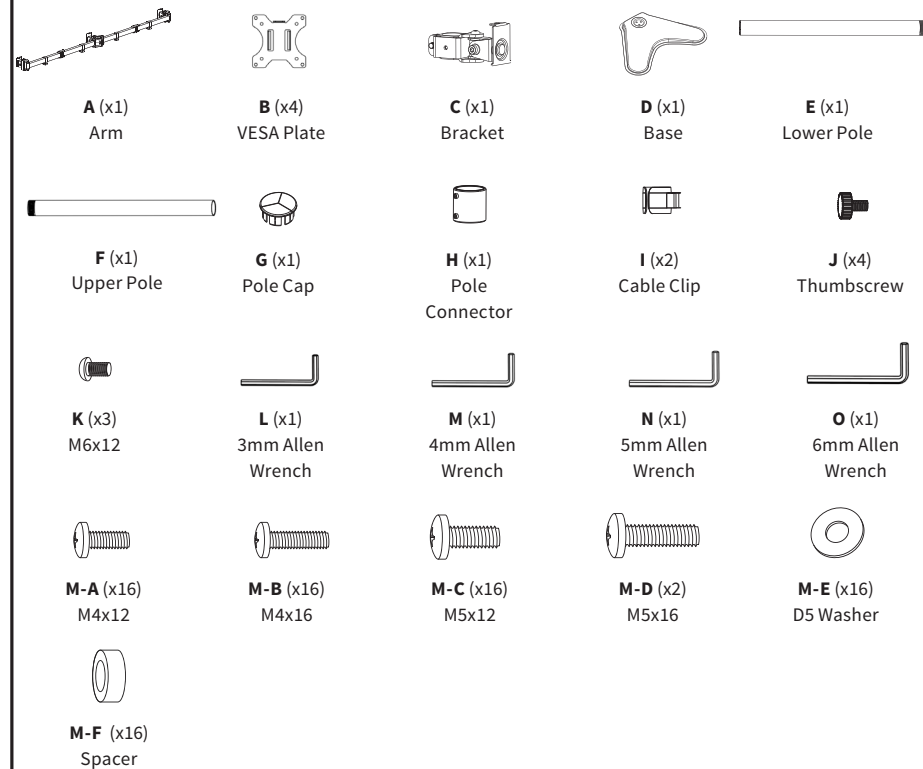
- NEVER ALLOW CHILDREN TO CLIMB, STAND, HANG, OR PLAY ON ANY PART OF MONITOR OR STAND.
- USE TIPOVER RESTRAINT OR ANCHOR STAND TO WALL

USE OF TIPOVER RESTRAINTS MAY ONLY REDUCE, BUT NOT ELIMINATE RISK OF TIPOVER.

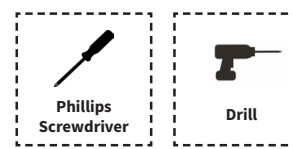
## ⚠️ WARNING: CHOKING HAZARD

SMALL PARTS - NOT FOR CHILDREN UNDER 3 YEARS. ADULT SUPERVISION IS REQUIRED.

## PACKAGE CONTENTS



## TOOLS NEEDED



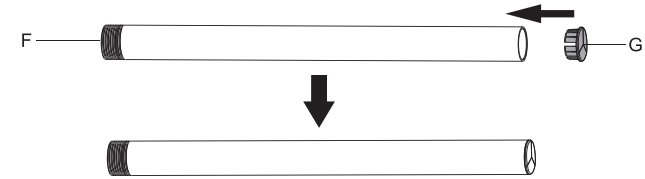
DO NOT EXCEED WEIGHT CAPACITY.  
Failure to do so may result in serious injury.

**15.4lbs  
(7kg)**  
PER ARM

## ASSEMBLY STEPS

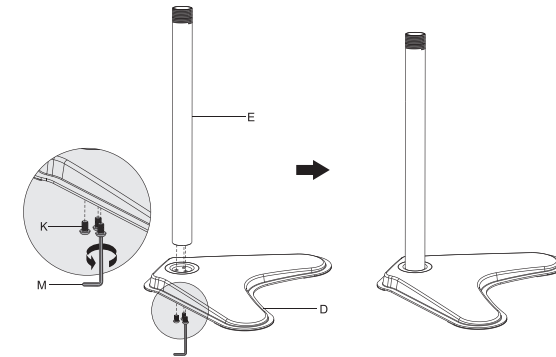
### STEP 1

Attach the pole cap (G) to the top of the upper pole (F).



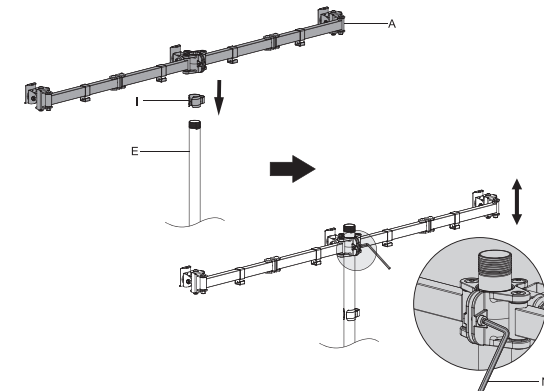
### STEP 2

Mount the lower pole (E) to the base (D) using M6x12 bolts (K) with the 4mm Allen wrench (M).

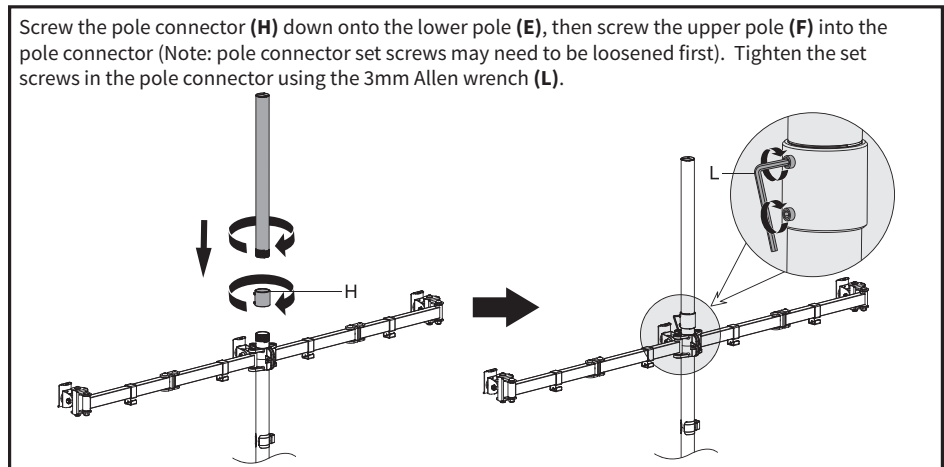


### STEP 3

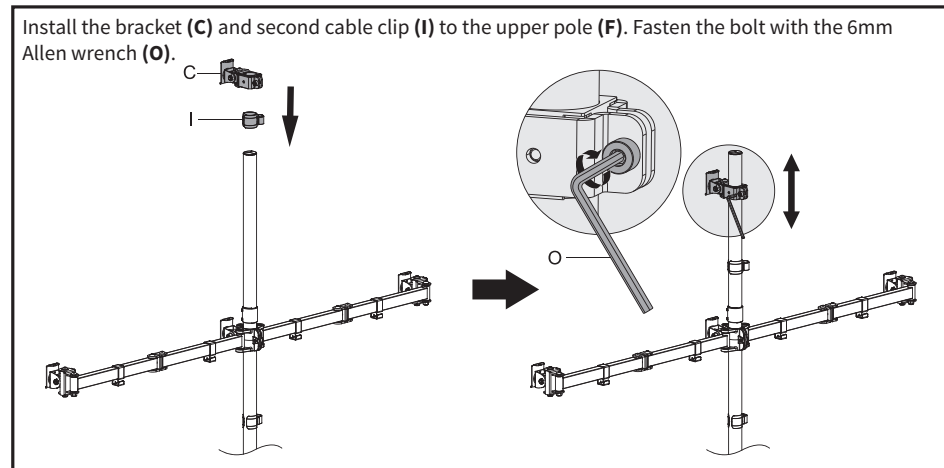
Install the arm (A) and one cable clip (I) to the lower pole (E). Fasten the bolt with the 5mm Allen wrench (N).



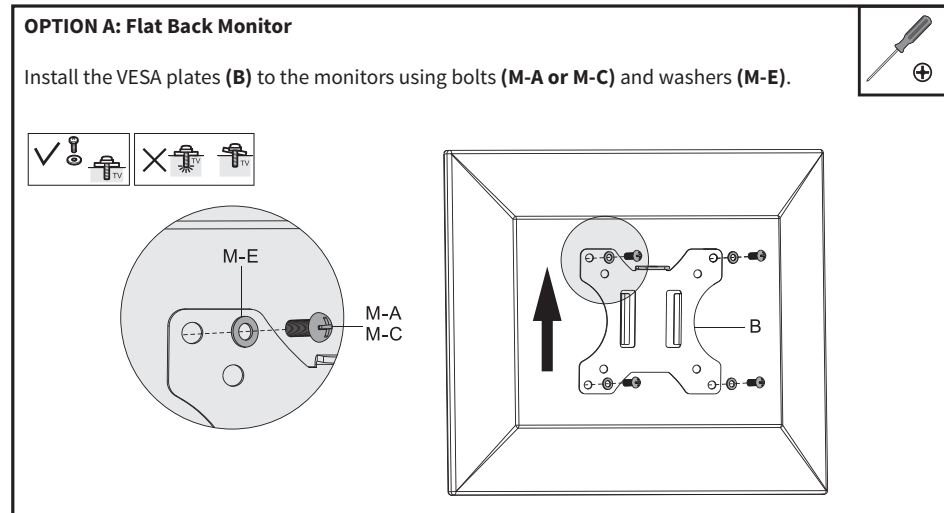
### STEP 4



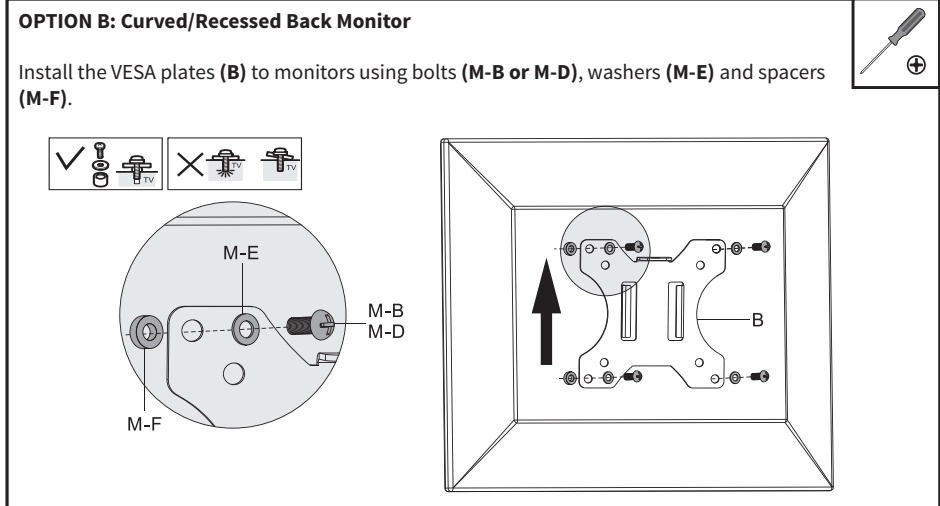
### STEP 5



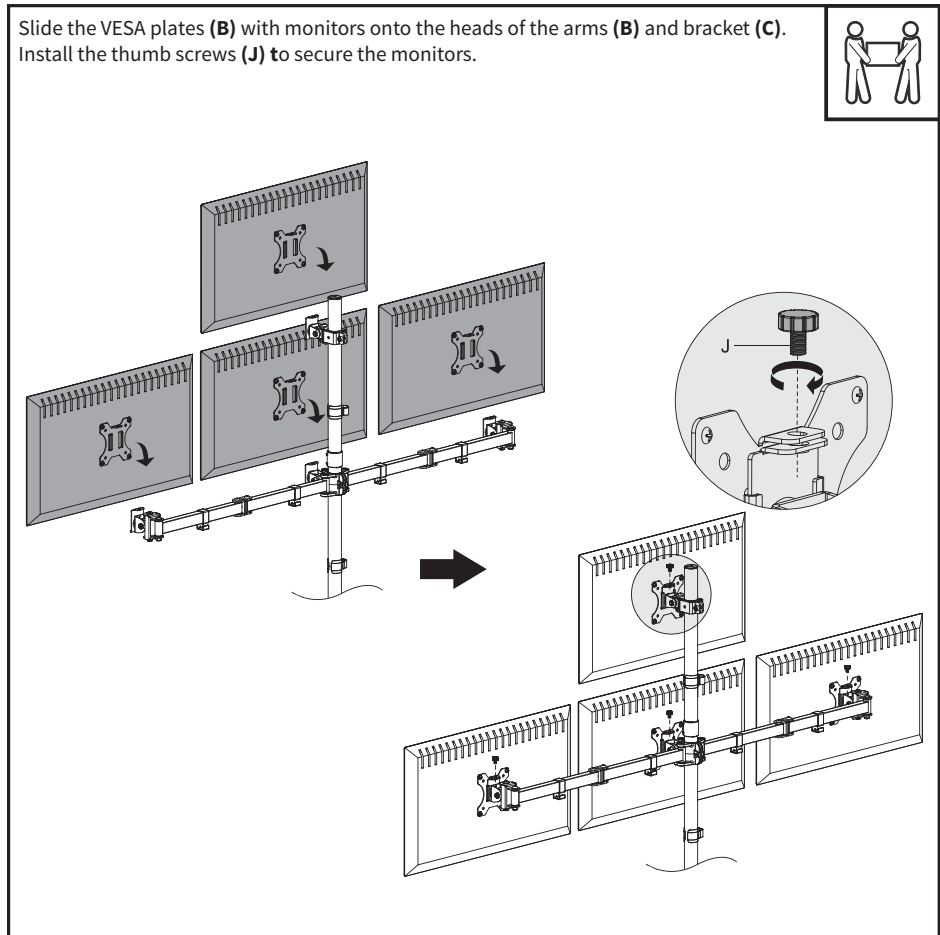
### STEP 6



### STEP 6 (Continued)

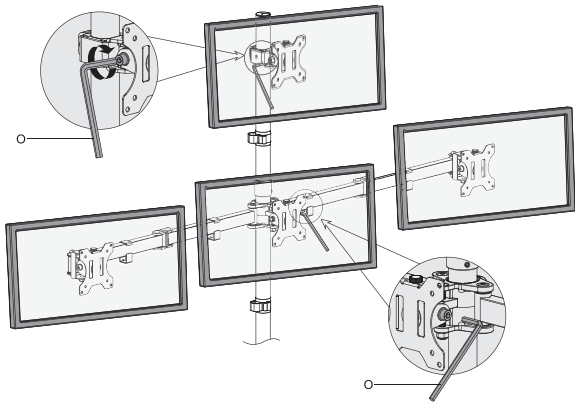


### STEP 7



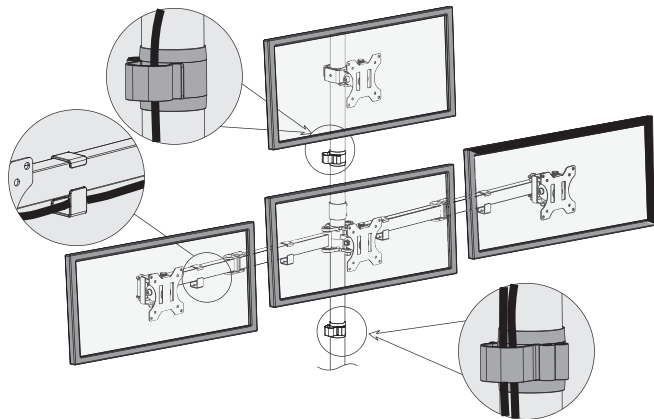
### STEP 8

Tighten or loosen the tilt joints using the 6mm Allen wrench (O).



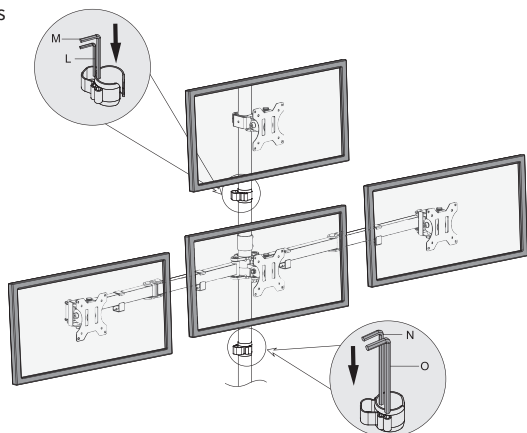
### STEP 9

Manage cables using the installed cable clips (I).



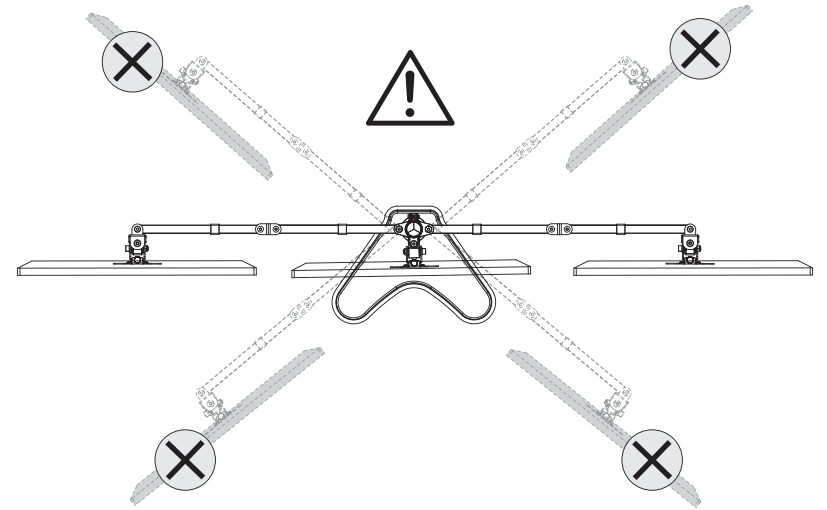
### STEP 10

Store the Allen wrenches in the cable clips (I) for future use.



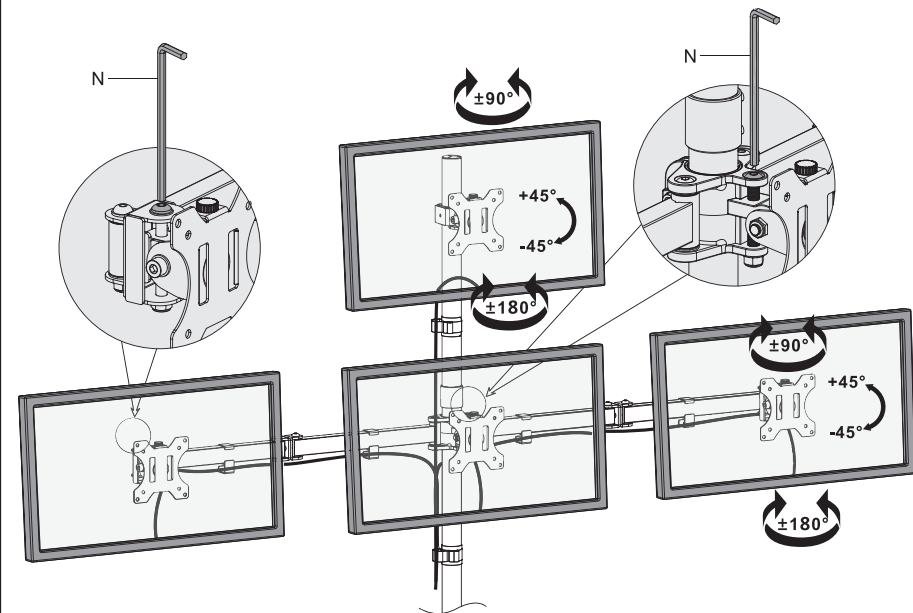
### STEP 11


**CAUTION:** To prevent tipping, please be careful not to extend the arms too far forward or backward.



### STEP 12

Adjust monitor alignment using 5mm Allen wrench (N).



 Love your new VIVO setup and want to share?  
Tag us in your photo! [@vivo\\_us](#)

LAST UPDATED: 03/20/2020



Open **Monday - Friday 7:00am - 7:00pm** CST,

our dedicated support team can offer immediate assistance with rapid response times. If any parts are received damaged or defective, please contact us. We are happy to replace parts to ensure you have a fully functioning product.


 [help@vivo-us.com](mailto:help@vivo-us.com)

**AVG. RESPONSE TIME** (*within office hrs*): **1HR 8M**

- 23% within < 15m
- 38% within < 30m
- 61% within < 1hr
- 83% within < 2hr
- 92% within < 3hr

 [www.vivo-us.com](http://www.vivo-us.com)  
*Chat live with an agent!*

**AVG. RESOLUTION TIME** (*within office hrs*): **< 15 M**

 309-278-5303

**AVG. RESOLUTION TIME** (*within office hrs*): **5M 4S**

FOR MORE VIVO PRODUCTS, CHECK OUT OUR WEBSITE AT: [www.vivo-us.com](http://www.vivo-us.com)