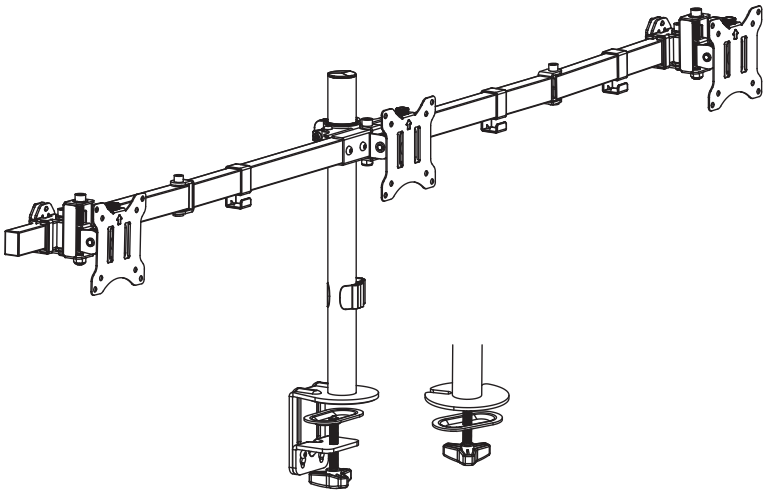




---

## Flush to Wall Triple Monitor Desk Mount Instruction Manual



**SKU: STAND-V103C**



Scan the QR code with your mobile device or follow the link for helpful videos and specifications related to this product.

<https://vivo-us.com/products/stand-v103c>

---

**GET IN TOUCH** | Monday-Friday from 7:00am-7:00pm CST



help@vivo-us.com



www.vivo-us.com  
*Chat live with an agent!*



309-278-5303

# ⚠ WARNING!

If you do not understand these directions, or if you have any doubts about the safety of the installation, please call a qualified technician. Check carefully to make sure there are no missing or defective parts. Improper installation may cause damage or serious injury. Do not use this product for any purpose that is not explicitly specified in this manual. Do not exceed weight capacity. We cannot be liable for damage or injury caused by improper mounting, incorrect assembly or inappropriate use.

## ⚠ TIPOVER WARNING

SERIOUS OR FATAL CRUSHING INJURIES CAN OCCUR FROM TIPOVER. TO HELP PREVENT TIPOVER:


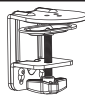



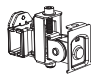

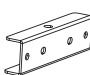

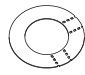













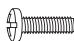

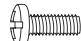
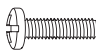





- NEVER ALLOW CHILDREN TO CLIMB, STAND, HANG, OR PLAY ON ANY PART OF MONITOR OR STAND.
- USE TIPOVER RESTRAINT OR ANCHOR STAND TO WALL

**USE OF TIPOVER RESTRAINTS MAY ONLY REDUCE, BUT NOT ELIMINATE RISK OF TIPOVER.**

## ⚠ WARNING: CHOKING HAZARD

SMALL PARTS - NOT FOR CHILDREN UNDER 3 YEARS. ADULT SUPERVISION IS REQUIRED.

### PACKAGE CONTENTS

					
<b>A (x1)</b> Pole	<b>B (x1)</b> Clamp	<b>C (x3)</b> VESA Plate	<b>D (x2)</b> Arm	<b>E (x2)</b> Arm Extension	
					
<b>F (x2)</b> Side VESA Bracket	<b>G (x1)</b> Center VESA Bracket	<b>H (x1)</b> Bracket Plate	<b>I (x1)</b> Arm Support Bracket	<b>J (x1)</b> Soft Pad	<b>K (x1)</b> Grommet Plate
					
<b>L (x1)</b> Pole Cable Clip	<b>M (x4)</b> Arm Cable Clip	<b>N (x1)</b> Pole Cap			
					
<b>S-A (x3)</b> M6x10mm Thumbscrew	<b>S-B (x2)</b> M4x5mm Screw	<b>S-C (x1)</b> M8x50mm Screw	<b>S-D (x2)</b> M8 Washer	<b>S-E (x1)</b> M8 Nut	<b>S-F (x4)</b> M6x27mm Screw
					
<b>S-G (x3)</b> M6x16mm Flathead Screw	<b>S-H (x1)</b> M5x16mm Flathead Screw	<b>S-I (x2)</b> M8x42mm Screw	<b>M-A (x12)</b> M4x12mm Screw	<b>M-B (x12)</b> M4x16mm Screw	<b>M-C (x12)</b> M5x12mm Screw
					
<b>M-D (x12)</b> M5x16mm Screw	<b>M-E (x12)</b> M5 Washer	<b>M-F (x12)</b> Spacer	<b>T-A (x1)</b> 4mm Allen Wrench	<b>T-B (x1)</b> 6mm Allen Wrench	<b>T-C (x1)</b> Wrench

**NOTE: SOME HARDWARE INCLUDED MAY NOT BE USED**

## TOOLS NEEDED



DO NOT EXCEED WEIGHT CAPACITY.

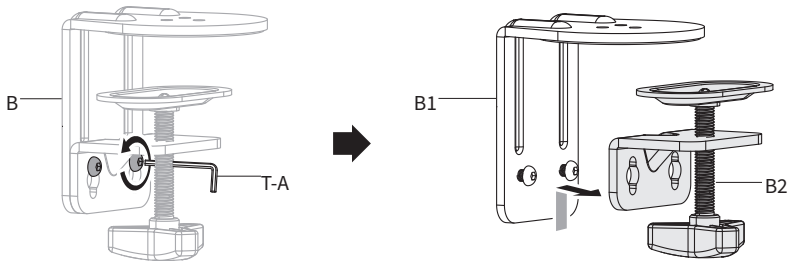
Failure to do so may result in serious injury.

15.4lbs  
Per Monitor  
(7kg)

## ASSEMBLY STEPS

### STEP 1

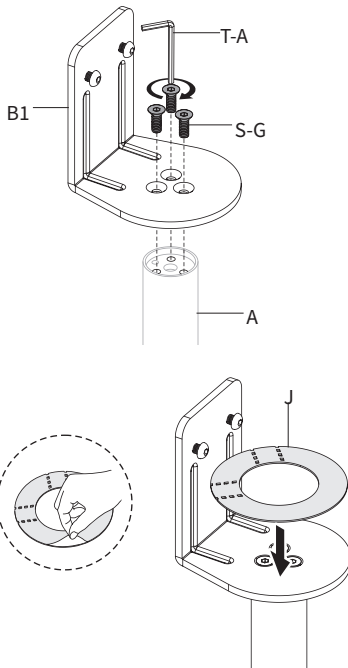
Separate Clamp (B) into Upper Clamp (B1) and Lower Clamp (B2) using 4mm Allen Wrench (T-A).



### STEP 2

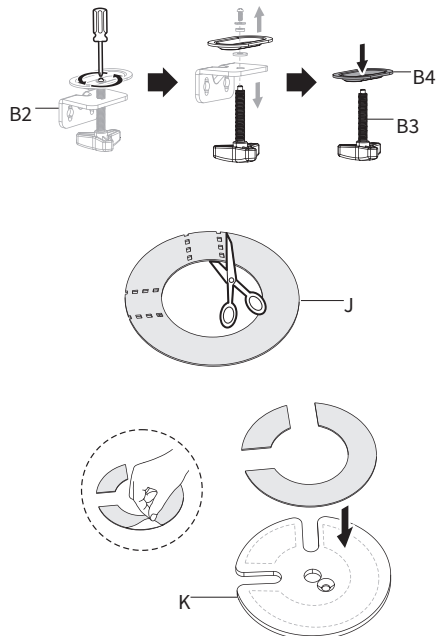
#### OPTION A: Clamp Installation

Attach Upper Clamp (B1) to Pole (A) using the M6x16mm Flathead Screws (S-G) and 4mm Allen Wrench (T-A). Peel the protective film off of Soft Pad (J) and place it onto Upper Clamp (B1).



#### OPTION B: Grommet Base Installation

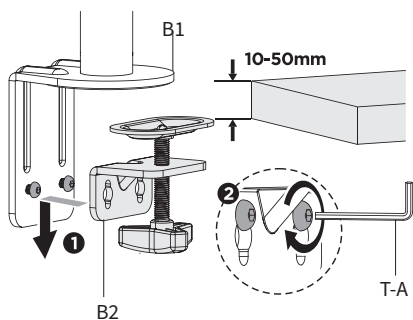
Remove the screw from the top of Lower Clamp (B2) using a Phillips screwdriver, and set aside Clamp Bolt (B3) and Support Plate (B4). Cut Soft Pad (J) along the perforated lines. Peel the protective film off of Soft Pad (J) and place the pieces onto Grommet Plate (K) as shown below.



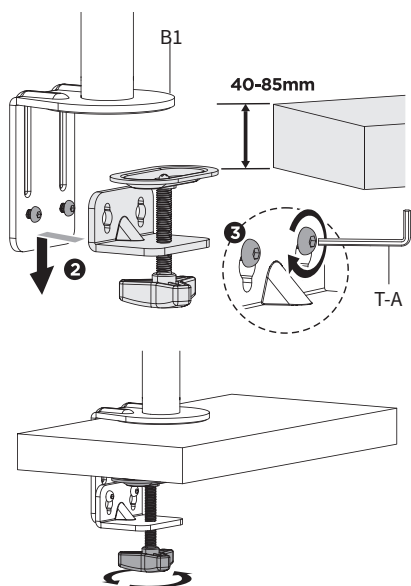
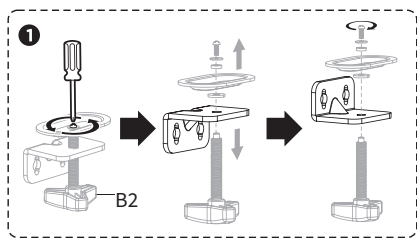
## STEP 2 (Continued)

### OPTION A: Clamp Installation

For thinner desktops (10-50mm), re-attach Lower Clamp (B2), re-attach Upper Clamp (B1) and tighten the screws using the 4mm Allen Wrench (T-A).

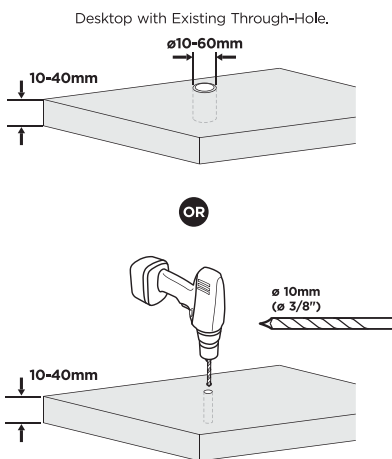


For thicker desktops (40-85mm), disassemble Lower Clamp (B2) using a Phillips screwdriver as shown below. Flip the L-bracket over and reassemble. Then re-attach Lower Clamp (B2) to Upper Clamp (B1) and tighten the screws using 4mm Allen Wrench (T-A). Tighten the clamp assembly to the desktop.

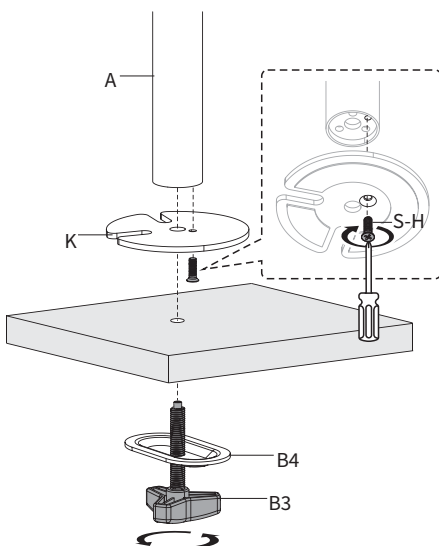


### OPTION B: Grommet Installation

If not using an existing through-hole, using a 10mm (3/8") drill bit, drill through the desktop at least 2" away from the edge.

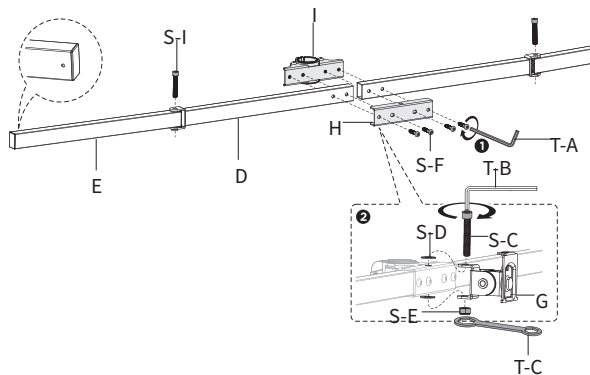


Secure Grommet Plate (K) to Pole (A) using M5x16mm Flathead Screw (S-H) and a Phillips Screwdriver. Attach Pole assembly to the desktop using Support Plate (B4) and Clamp Bolt (B3) as shown below.



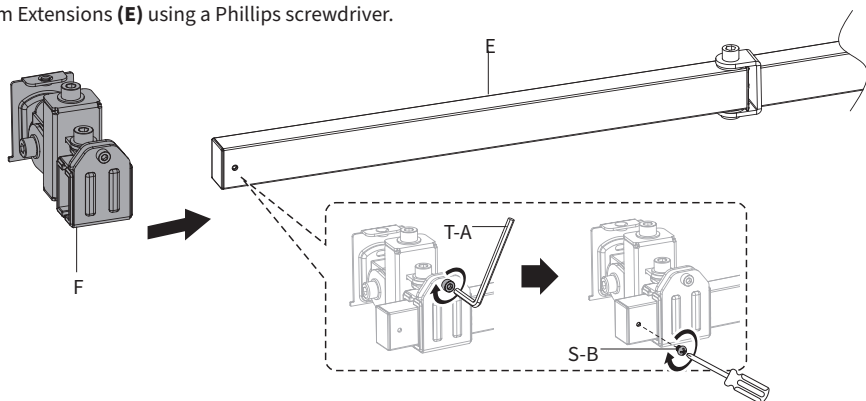
### STEP 3

Assemble Arms (**D**), Arm Support Bracket (**I**) and Bracket Plate (**H**) using M6x27mm Screws (**S-F**) and 4mm Allen Wrench (**T-A**). Secure Arm Extensions (**E**) to Arms (**D**) using M8x42mm Screws (**S-I**) and 6mm Allen Wrench (**T-B**). Mount Center VESA Bracket (**G**) to Bracket Plate (**H**) using M8x50mm Screw (**S-C**), M8 Washers (**S-D**), and M8 Nut (**S-E**) with 6mm Allen Wrench (**T-B**) and Wrench (**T-C**).



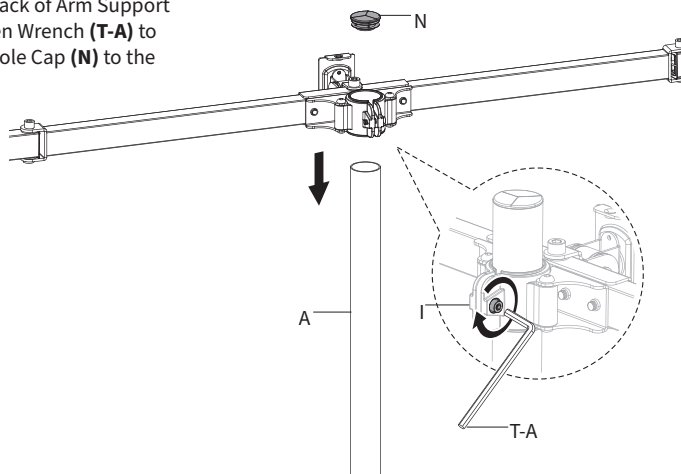
### STEP 4

Slide Side VESA Brackets (**F**) onto Arm Extensions (**E**). Tighten the screw on the back of Side VESA Brackets (**F**) using 4mm Allen Wrench (**T-A**) to secure them in place. Install M4x5mm Screws (**S-B**) into Arm Extensions (**E**) using a Phillips screwdriver.



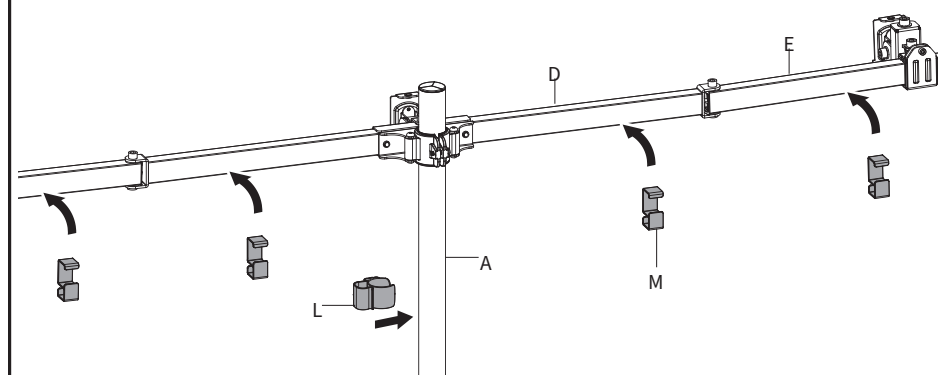
### STEP 5

Install the arm assembly onto Pole (**A**) and tighten the screw on the back of Arm Support Bracket (**I**) using 4mm Allen Wrench (**T-A**) to secure it in place. Attach Pole Cap (**N**) to the top of Pole (**A**).



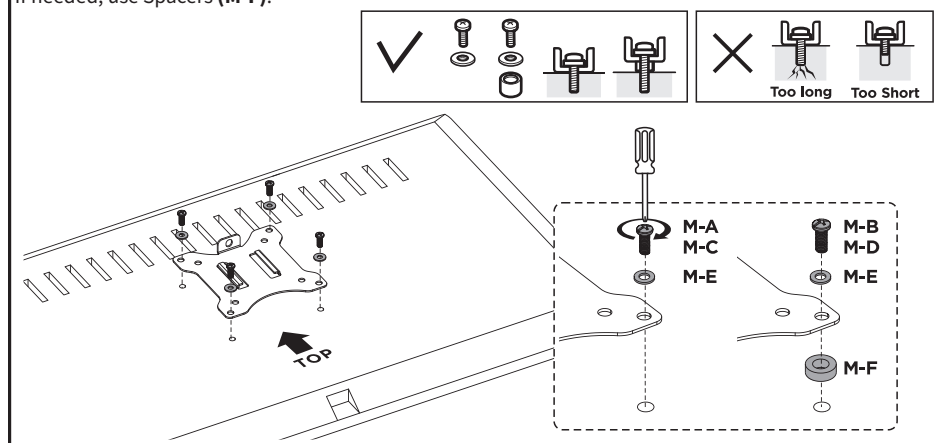
## STEP 6

Assemble Arm Cable Clips (**M**) to Arms (**D**) and Arm Extensions (**E**). Attach Pole Cable Clip (**L**) to Pole (**A**).



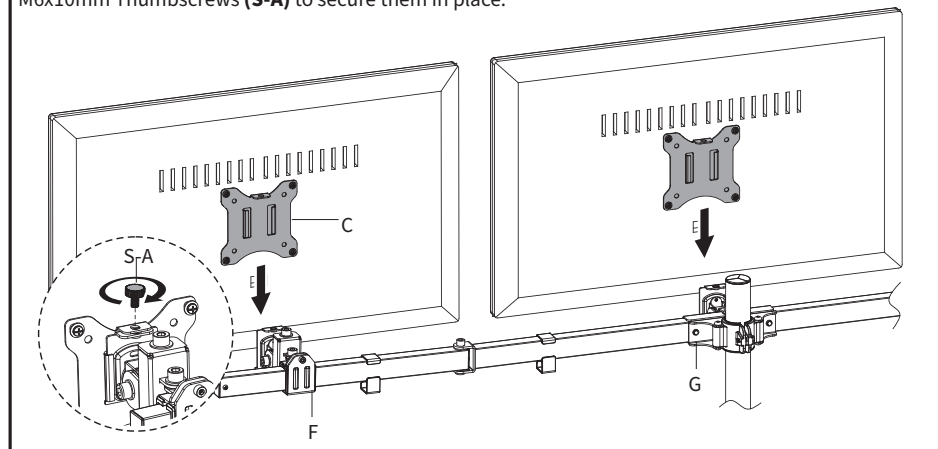
## STEP 7

Attach VESA Plates (**C**) to the back of the monitor using Screws (**M-A through M-D**) and Washers (**M-E**). If needed, use Spacers (**M-F**).



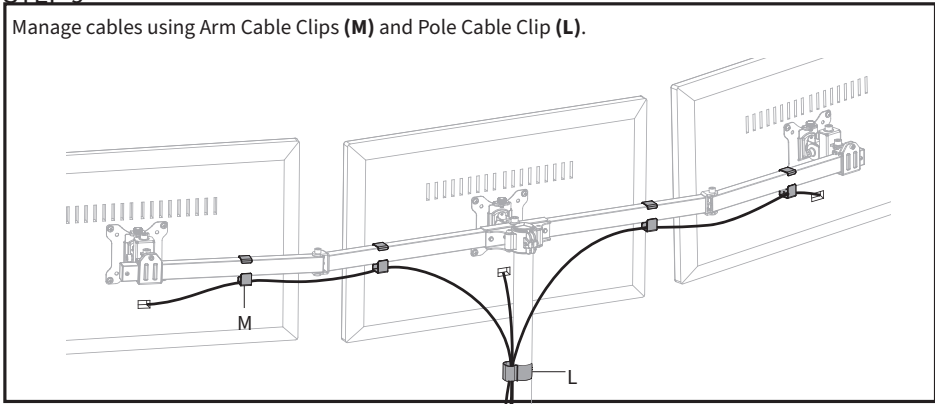
## STEP 8

Slide monitors with VESA Plates (**C**) onto Side VESA Brackets (**F**) and Center VESA Bracket (**G**). Use M6x10mm Thumbscrews (**S-A**) to secure them in place.



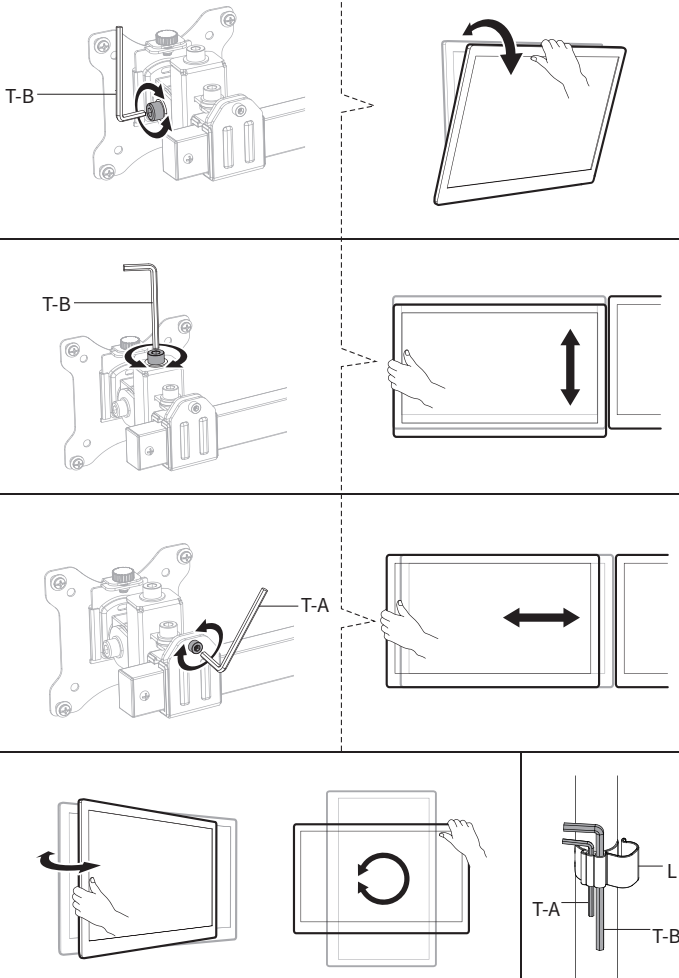
## STEP 9

Manage cables using Arm Cable Clips (**M**) and Pole Cable Clip (**L**).



## STEP 10

Adjust tilt, height, and horizontal orientation using Allen Wrenches (**T-A** and **T-B**) as shown below. Store Allen Wrenches (**T-A** and **T-B**) in Pole Cable Clip (**L**).





Love your new VIVO setup and want to share?  
Tag us in your photo! **@vivo\_us**

LAST UPDATED: 11/18/2022  
REV1.1



Open **Monday - Friday 7:00am - 7:00pm** CST,  
our dedicated support team can offer immediate assistance with rapid response times. If any parts are received damaged or defective, please contact us. We are happy to replace parts to ensure you have a fully functioning product.



309-278-5303

**AVG. RESOLUTION TIME** (*within office hrs*): **5M 4S**

---



[www.vivo-us.com](http://www.vivo-us.com)  
*Chat live with an agent!*

**AVG. RESOLUTION TIME** (*within office hrs*): **< 15 M**

---



[help@vivo-us.com](mailto:help@vivo-us.com)

**AVG. RESPONSE TIME** (*within office hrs*): **1HR 8M**

- 23% within < 15m
- 38% within < 30m
- 61% within < 1hr
- 83% within < 2hr
- 92% within < 3hr

FOR MORE VIVO PRODUCTS, CHECK OUT OUR WEBSITE AT: [www.vivo-us.com](http://www.vivo-us.com)