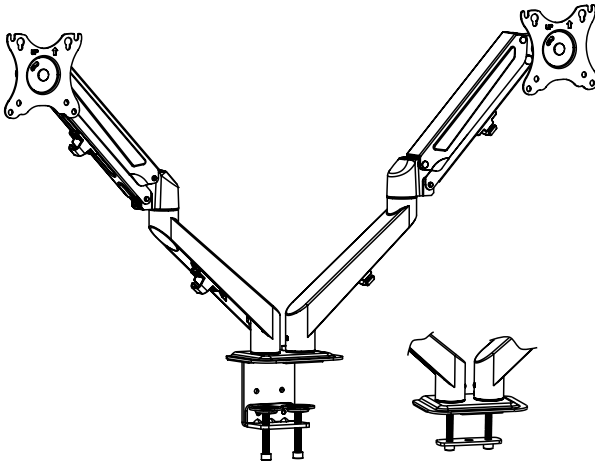




---

## Pneumatic Arm Dual Monitor Desk Mount

Instruction Manual



**SKU: STAND-V1020**



Scan the QR code with your mobile device or follow the link for helpful videos and specifications related to this product.

<https://vivo-us.com/products/stand-v1020>

---

GET IN TOUCH | Monday-Friday from 7:00am-7:00pm CST



help@vivo-us.com



www.vivo-us.com  
*Chat live with an agent!*



309-278-5303

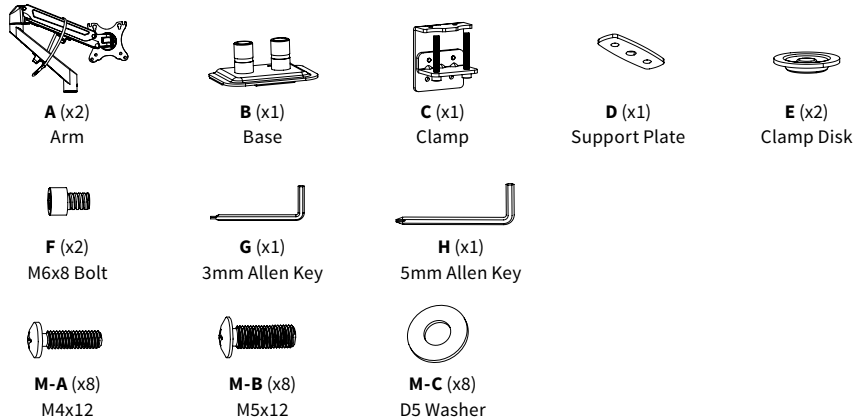
**WARNING!**

If you do not understand these directions, or if you have any doubts about the safety of the installation, please call a qualified technician. Check carefully to make sure there are no missing or defective parts. Improper installation may cause damage or serious injury. Do not use this product for any purpose that is not explicitly specified in this manual. Do not exceed weight capacity. We cannot be liable for damage or injury caused by improper mounting, incorrect assembly or inappropriate use.

**WARNING: CHOKING HAZARD**

SMALL PARTS - NOT FOR CHILDREN UNDER 3 YEARS. ADULT SUPERVISION IS REQUIRED.

**PACKAGE CONTENTS**

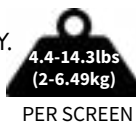


**NOTE: SOME HARDWARE MAY NOT BE USED**

**TOOLS NEEDED**



**DO NOT EXCEED WEIGHT CAPACITY.**  
Failure to do so may result in serious injury.



**ASSEMBLY STEPS**

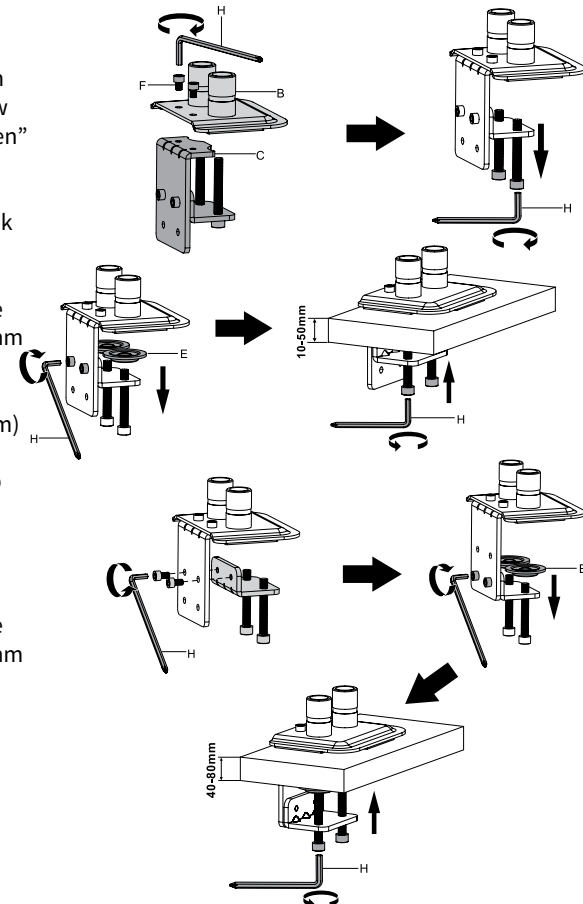
**STEP 1**

**OPTION A: Desk Clamp Install**

Assemble base (B) to clamp (C) using M6x8 bolts (F), and tighten with 5mm Allen key (H). Unscrew the large clamp bolts to the "open" position.

For 3/8" - 2" (10mm - 50mm) desk thickness, place clamp disks (E) onto the top of the clamp bolts. Place assembled base onto edge of desk and tighten using the 5mm Allen key.

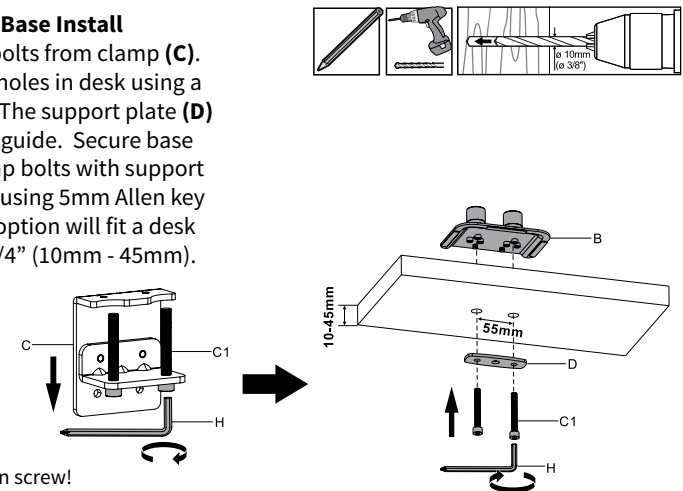
For 1-1/2" - 3-1/8" (40mm - 80mm) desk thickness, remove the two bolts from the back of the clamp using 5mm Allen key, and then reassemble clamp to the lower position. Place clamp disks (E) onto the top of the clamp bolts. Place assembled base onto edge of desk and tighten using the 5mm Allen key.



Do not overtighten screw!

**OPTION B: Grommet Base Install**

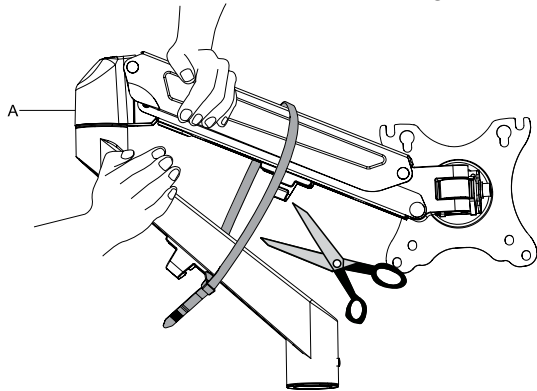
Remove large clamp bolts from clamp (C). If necessary, drill two holes in desk using a 3/8" (10mm) drill bit. The support plate (D) may be used as a drill guide. Secure base (B) to desk using clamp bolts with support plate (D), and tighten using 5mm Allen key (H). **NOTE:** Grommet option will fit a desk thickness of 3/8" - 1-3/4" (10mm - 45mm).



Do not overtighten screw!

## STEP 2

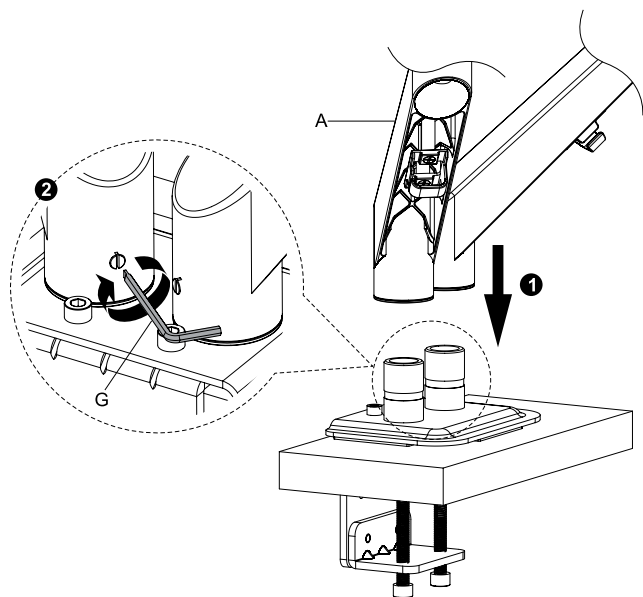
While holding arm **(A)** in the closed position, cut the shipping tie from each arm.



1. Firmly hold the two halves of the spring arm together and have another person cut off the cable tie from around the spring arm.
2. Slowly release the pressure on the spring arm and allow it to gradually stretch to its full extension.

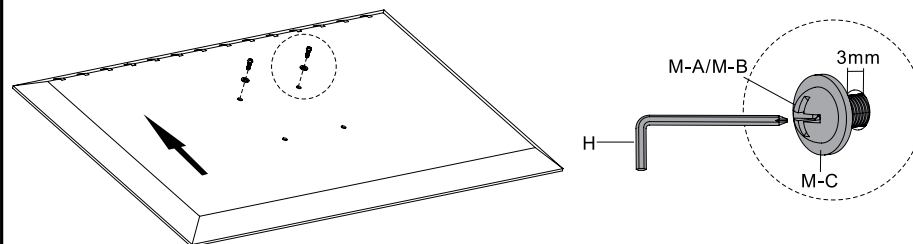
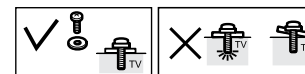
## STEP 3

Place the arms **(A)** onto the base **(B)**. Tighten the screw on the back of each arm using the 3mm Allen key **(G)** or a flat blade screwdriver.



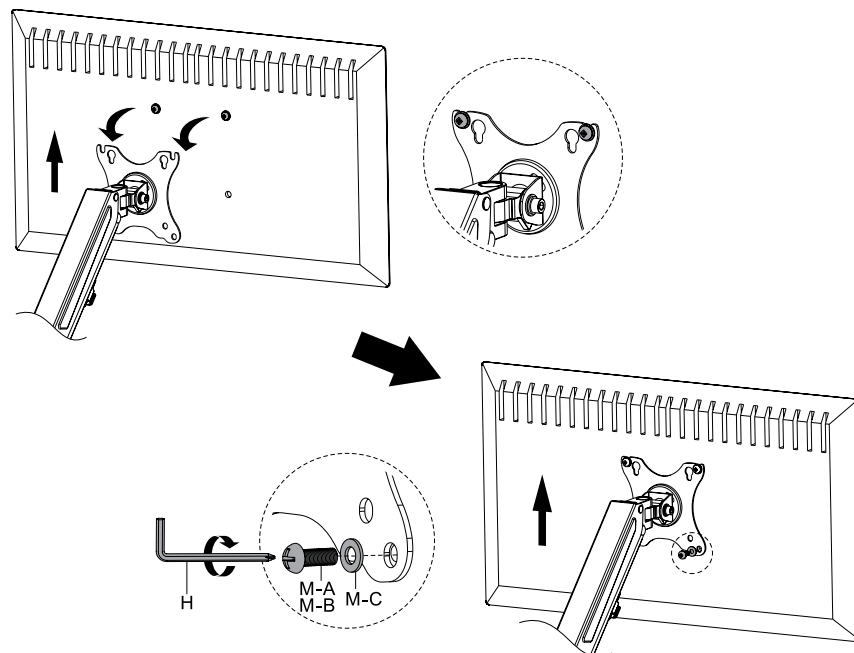
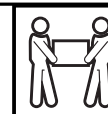
## STEP 4

Attach two bolts **(M-A or M-B)** and washers **(M-C)** to top mounting holes of each monitor, making sure to leave 1/8" (3mm) of threads exposed.



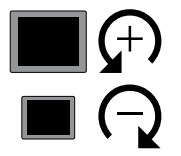
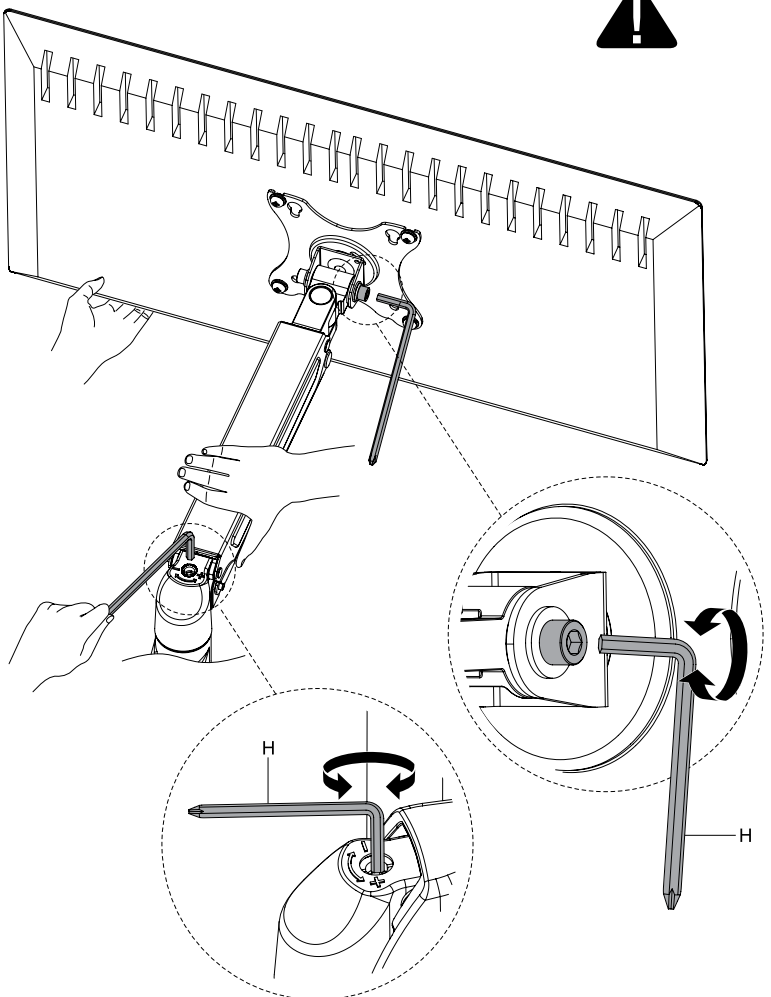
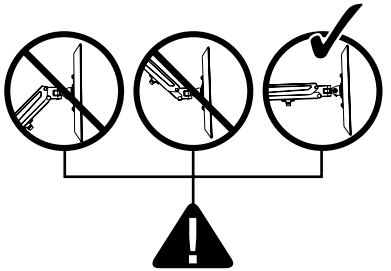
## STEP 5

Align bolts installed to monitor with VESA plate. Secure using two more bolts **(M-A or M-B)** and washers **(M-C)** in the bottom two holes. Tighten all four bolts using the 5mm Allen key **(H)** or a Phillips screwdriver. Repeat for second monitor.



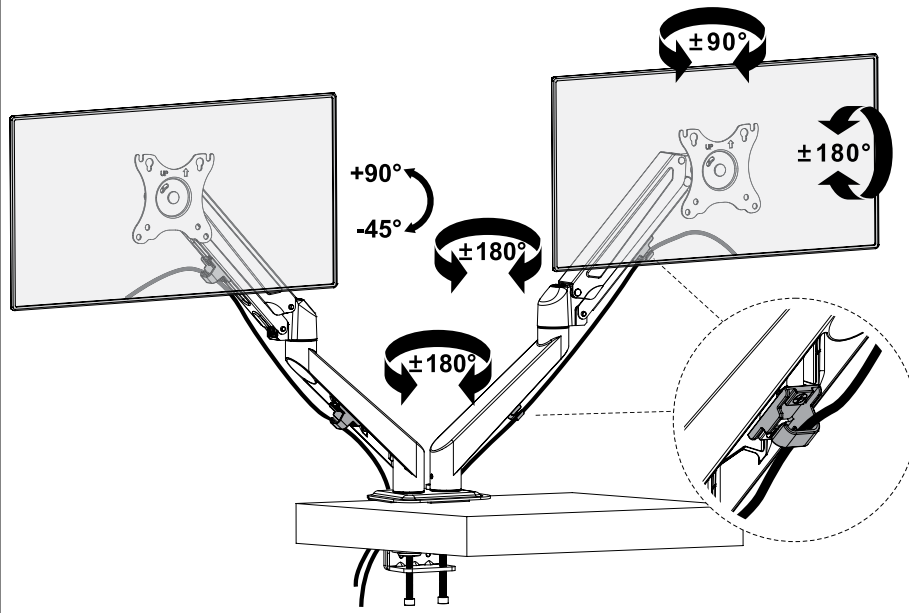
STEP 6

Adjust gas spring tension in arms (A) and monitor bracket tilt support using 5mm Allen key (H). Turn gas spring tension adjustment screw counter-clockwise to increase support, and clockwise to decrease support.



STEP 7

Use cable clips on arms (A) to organize cables.





Love your new VIVO setup and want to share?  
Tag us in your photo! **@vivo\_us**

LAST UPDATED: 04/02/2020



Open **Monday - Friday 7:00am - 7:00pm** CST,

our dedicated support team can offer immediate assistance with rapid response times. If any parts are received damaged or defective, please contact us. We are happy to replace parts to ensure you have a fully functioning product.



help@vivo-us.com

**AVG. RESPONSE TIME** (*within office hrs*): **1HR 8M**

- 23% within < 15m
- 38% within < 30m
- 61% within < 1hr
- 83% within < 2hr
- 92% within < 3hr



www.vivo-us.com  
*Chat live with an agent!*

**AVG. RESOLUTION TIME** (*within office hrs*): **< 15 M**



309-278-5303

**AVG. RESOLUTION TIME** (*within office hrs*): **5M 4S**

FOR MORE VIVO PRODUCTS, CHECK OUT OUR WEBSITE AT: [www.vivo-us.com](http://www.vivo-us.com)