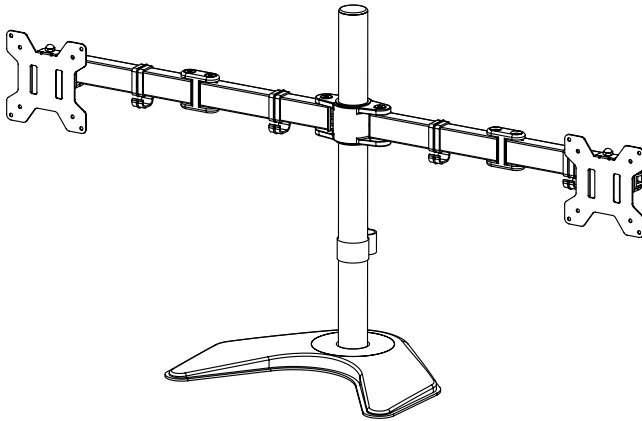


Dual Monitor Stand

Instruction Manual



SKU: STAND-V102K



Scan the QR code with your mobile device or follow the link for helpful videos and specifications related to this product.

<https://vivo-us.com/products/stand-v102k>



help@vivo-us.com



www.vivo-us.com



1-800-371-5654

WARNING!

If you do not understand these directions, or if you have any doubts about the safety of the installation, please call a qualified technician. Check carefully to make sure there are no missing or defective parts. Improper installation may cause damage or serious injury. Do not use this product for any purpose that is not explicitly specified in this manual. Do not exceed weight capacity. We cannot be liable for damage or injury caused by improper mounting, incorrect assembly or inappropriate use.

TIPOVER WARNING

SERIOUS OR FATAL CRUSHING INJURIES CAN OCCUR FROM TIPOVER. TO HELP PREVENT TIPOVER:

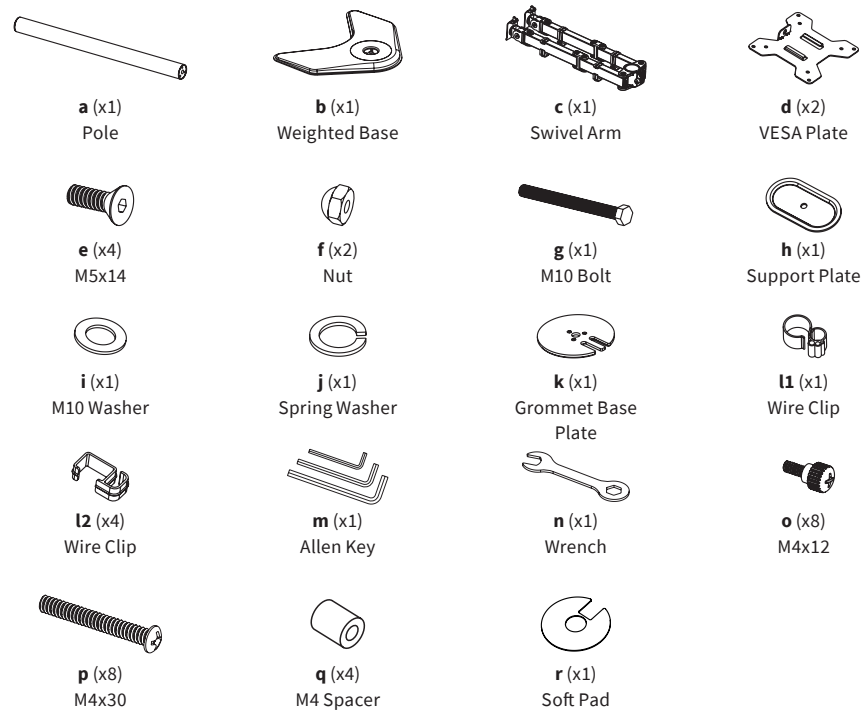
- NEVER ALLOW CHILDREN TO CLIMB, STAND, HANG, OR PLAY ON ANY PART OF STAND
- USE TIPOVER RESTRAINT OR ANCHOR STAND TO WALL

USE OF TIPOVER RESTRAINTS MAY ONLY REDUCE, BUT NOT ELIMINATE RISK OF TIPOVER.

WARNING: CHOKING HAZARD

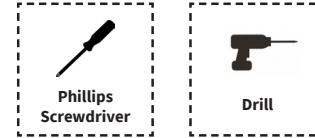
SMALL PARTS - NOT FOR CHILDREN UNDER 3 YEARS. ADULT SUPERVISION IS REQUIRED.

PACKAGE CONTENTS



NOTE: NOT ALL HARDWARE INCLUDED WILL BE USED

TOOLS NEEDED



DO NOT EXCEED WEIGHT CAPACITY.
Failure to do so may result in serious injury.

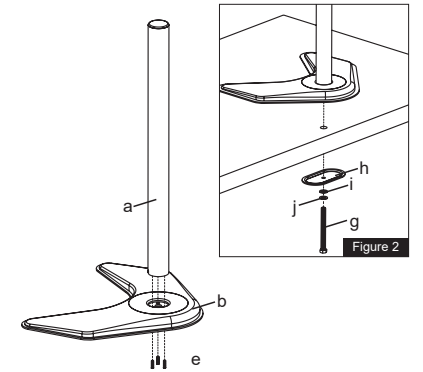


ASSEMBLY STEPS

STEP 1

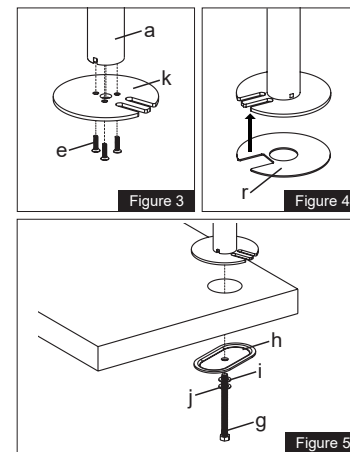
OPTION 1: Weighted Base

Install the Pole (a) to the Weighted Base (b) using M5x14 Bolts (e), and tighten using the Allen Key (m). Optionally, you can drill a 10mm diameter hole in your desk and secure using the Support Plate (h), M10 Washer (i), Spring Washer (j) and M10 Bolt (g). Fasten the M10 Bolt with provided Wrench (n).



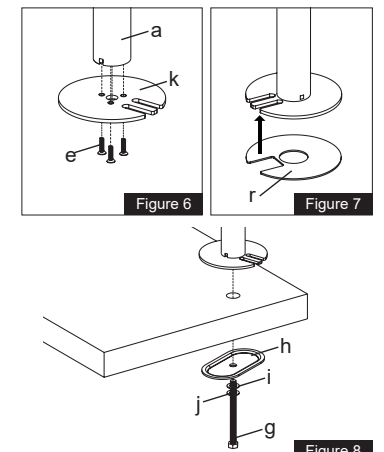
OPTION 2: Existing Grommet Base

If the existing grommet hole comes with a plastic protector, remove it to ensure a flat surface before installing the desk mount. Install the Grommet Base Plate (k) to the Pole (a) using M5x14 Bolts (e), and tighten using the Allen Key (m). Attach Soft Pad (r) to the Grommet Base Plate (k). Position the Pole (a) on the mounting surface and secure using the Support Plate (h), M10 Washer (i), Spring Washer (j) and M10 Bolt (g). Fasten the M10 Bolt using provided Wrench (n).



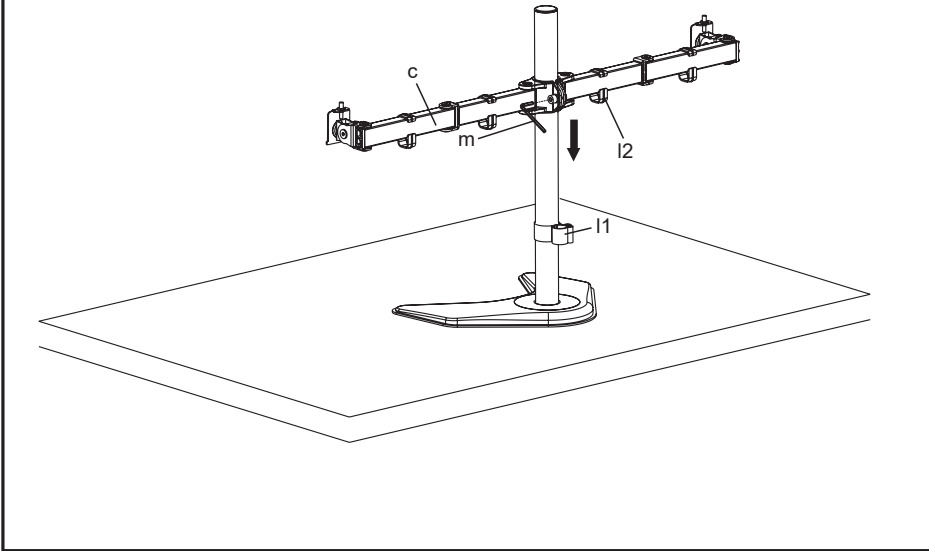
OPTION 3: Self-Drilled Grommet Base

Position the Pole (a) on the mounting surface and mark the center hole. Drill a 3/8" (10mm) diameter hole at the marked position through the mounting surface. Install the Grommet Base Plate (k) to the Pole (a) using M5x14 Bolts (e), and tighten using the Allen Key (m). Attach Soft Pad (r) to the Grommet Base Plate (k). Position the Pole (a) on the mounting surface and secure using the Support Plate (h), M10 Washer (i), Spring Washer (j) and M10 Bolt (g). Fasten the M10 Bolt using provided Wrench (n).



STEP 2

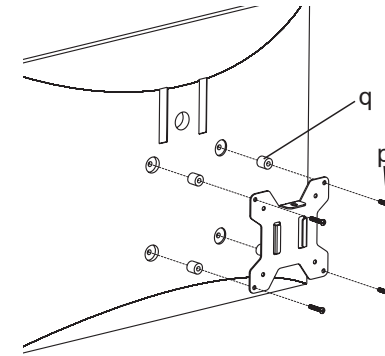
Install Swivel Arm (c) to the Pole (a). Fasten the bolt with supplied Allen Key (m). Attach the Wire Clips (l1, l2) to the Pole (a) and Swivel Arm (c).



STEP 3 (Continued)

OPTION B: Curved Back TV

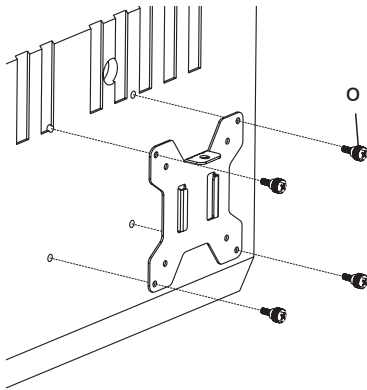
Attach VESA Plates (d) to monitor using screws (p) with M4 Spacers (q). Do not over-tighten.



STEP 3

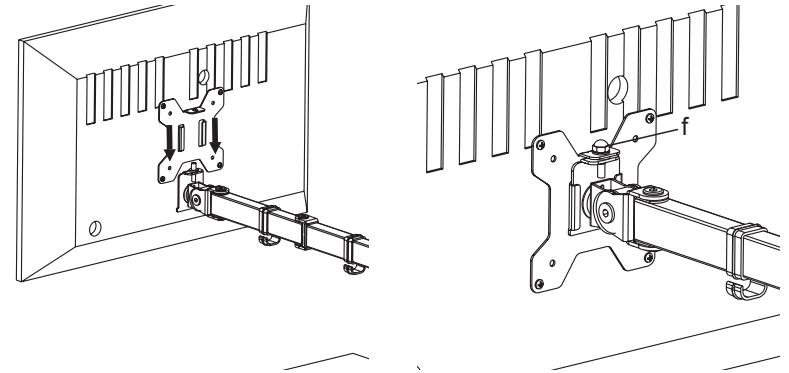
OPTION A: Flat Back Monitor

Attach VESA Plate (d) to monitor using M4x12 Thumb Screws (o). Please note, the screws only need to be finger-tight.



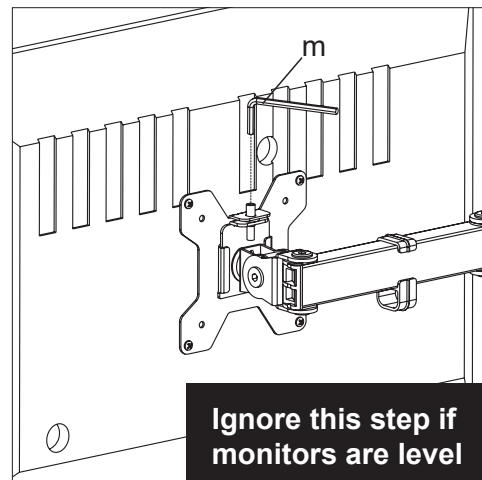
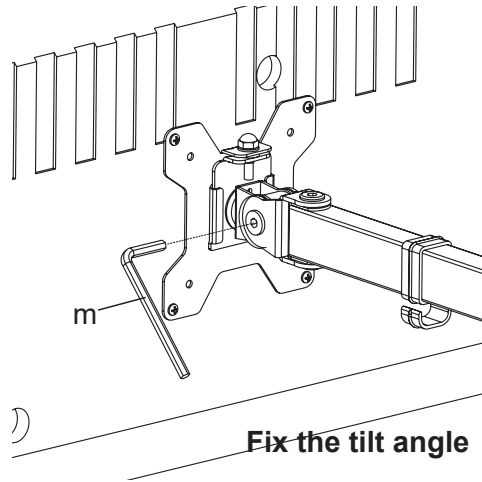
STEP 4

Slide the monitor onto the head of Swivel Arm (c). Install the security Nut (f). Make sure the security nut is installed before you rotate the monitor.



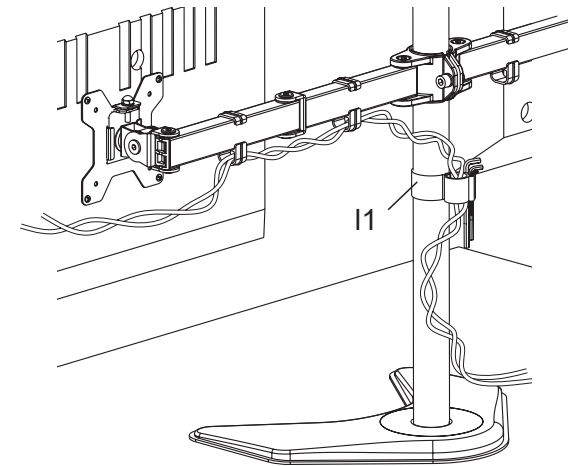
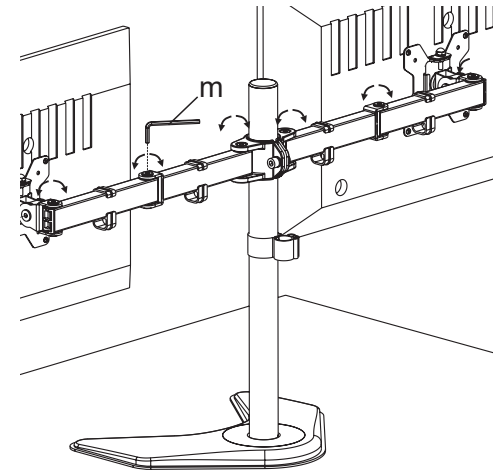
STEP 5

Tighten the bolt with the supplied Allen Key (**m**) to fix the tilt angle. If one monitor is lower, remove the Nut (**f**) and turn the bolt counter-clockwise with supplied Allen key (**m**) to raise the monitor. Install the Nut (**f**) after the adjustment.



STEP 6

Use the supplied Allen Key (**m**) to make the necessary adjustments. Manage the wires and store the Allen keys (**m**) in Wire Clip (**l1**) for future use.





Love your new VIVO setup and want to share?

Tag us in your photo! [@vivo_us](#)

Last Updated: 12/4/2018



If any parts are received damaged or defective, please contact us. We are happy to replace parts to ensure you have a fully functioning product.



help@vivo-us.com



www.vivo-us.com



1-800-371-5654

For more VIVO products, check out our website at:
www.vivo-us.com.