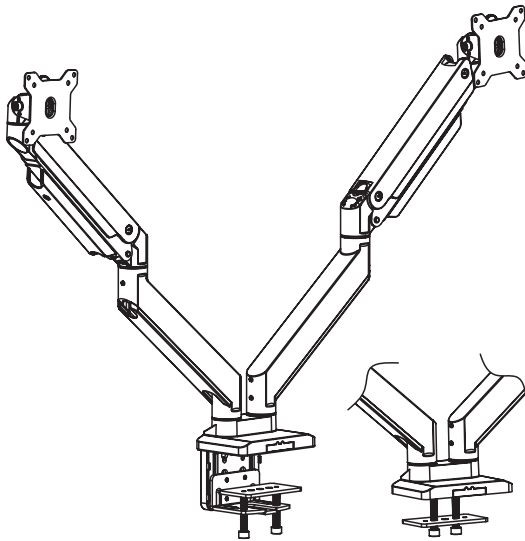




Pneumatic Arm Dual Monitor Desk Mount Instruction Manual



SKU: STAND-V102G2



Scan the QR code with your mobile device or follow the link for helpful videos and specifications related to this product.

<https://vivo-us.com/products/stand-v102g2>

GET IN TOUCH | Monday-Friday from 7:00am-7:00pm CST



help@vivo-us.com



www.vivo-us.com
Chat live with an agent!



309-278-5303

WARNING!

If you do not understand these directions, or if you have any doubts about the safety of the installation, please call a qualified technician. Check carefully to make sure there are no missing or defective parts. Improper installation may cause damage or serious injury. Do not use this product for any purpose that is not explicitly specified in this manual. Do not exceed weight capacity. We cannot be liable for damage or injury caused by improper mounting, incorrect assembly or inappropriate use.

TIPOVER WARNING

SERIOUS OR FATAL CRUSHING INJURIES CAN OCCUR FROM TIPOVER. TO HELP PREVENT TIPOVER:

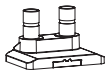
- NEVER ALLOW CHILDREN TO CLIMB, STAND, HANG, OR PLAY ON ANY PART OF MONITOR OR STAND.
- USE TIPOVER RESTRAINT OR ANCHOR STAND TO WALL

USE OF TIPOVER RESTRAINTS MAY ONLY REDUCE, BUT NOT ELIMINATE RISK OF TIPOVER.

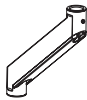
WARNING: CHOKING HAZARD

SMALL PARTS - NOT FOR CHILDREN UNDER 3 YEARS. ADULT SUPERVISION IS REQUIRED.

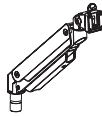
PACKAGE CONTENTS



A (x1)
Base



B (x2)
Lower Arm



C (x2)
Gas Spring Arm



D (x2)
VESA Plate



E (x1)
Clamp Plate



F (x1)
Grommet
Plate



G (x1)
Soft Pad



H (x1)
Cover



I (x1)
Clamp
Brace



J (x1)
Clamp



K (x4)
Flat Head
Bolt



L (x1)
3mm Allen
Wrench



M (x1)
4mm Allen
Wrench



N (x1)
6mm Allen
Wrench



M-A (x8)
M4x12



M-B (x8)
M5x12



M-C (x8)
D5 Washer

NOTE: NOT ALL HARDWARE INCLUDED WILL BE USED

TOOLS NEEDED



DO NOT EXCEED WEIGHT CAPACITY.

Failure to do so may result in serious injury.

33 lbs
(15 kg)

PER ARM

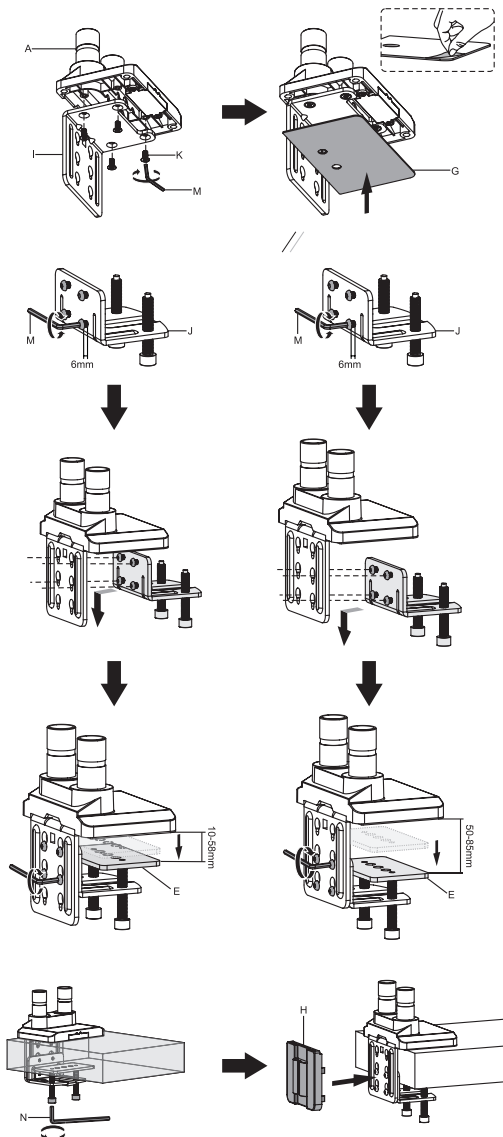
ASSEMBLY STEPS

STEP 1

OPTION A: Clamp Installation

Attach clamp brace (I) to base (A) using flat head bolts (K) and tighten with 4mm Allen wrench (M). Apply soft pad (G) to underside of base. Loosen bolts on back of clamp (J), leaving 6mm of thread exposed.

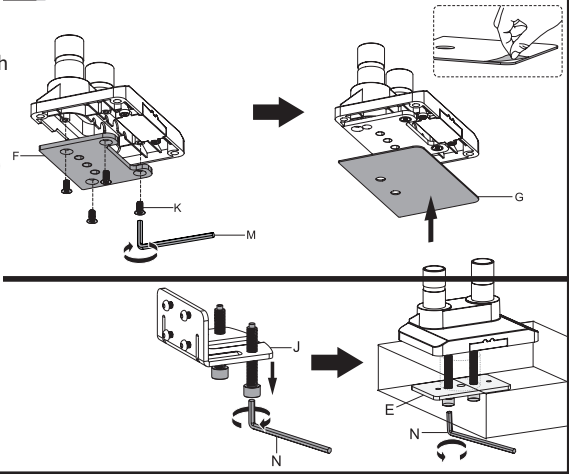
For a desk thickness of 3/8" - 2-1/2" (10 - 58mm), hang assembled clamp into top 4 slots of clamp brace, or for a desk thickness of 2" - 3-3/8" (50 - 85mm), into lower 4 slots. Place clamp plate (E) on top of clamp bolts. Position base on desktop and tighten clamp bolts evenly using 6mm Allen wrench (N). Attach cover (H) to back of clamp brace.



STEP 1 (Continued)

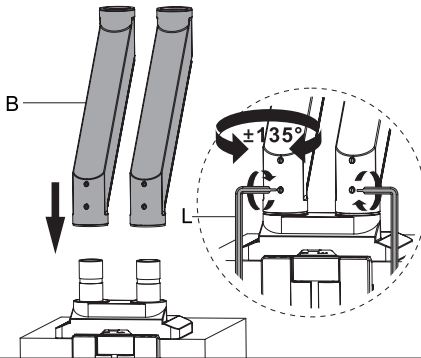
OPTION B: Grommet Base Installation

Attach grommet plate (F) to base (A) using flat head bolts (K) and tighten with 4mm Allen wrench (M). Apply soft pad (G) to underside of base. Position base over grommet hole in desktop, or drill two 3/8" (10mm) holes 1-25/32" (45mm) apart through the desk for installation. Remove clamp bolts from clamp (J) using 6mm Allen wrench (N) if needed. Insert clamp bolts with clamp plate (E) up through the underside of the desk and tighten to the base using the 6mm Allen wrench.



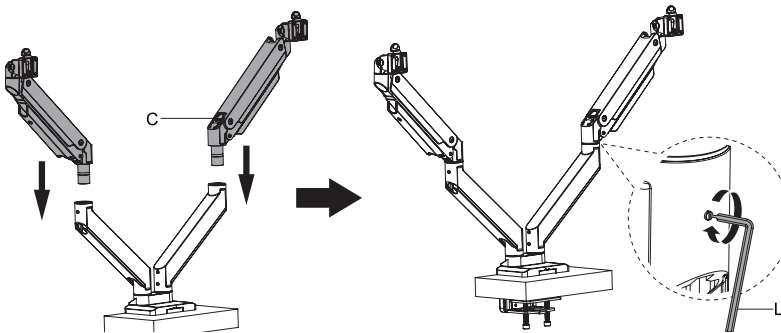
STEP 2

Place lower arms (B) on top of base (A), and secure by turning the lower screws in back with 3mm Allen wrench (N). (**NOTE:** The upper screws in back do not have a function on this model).



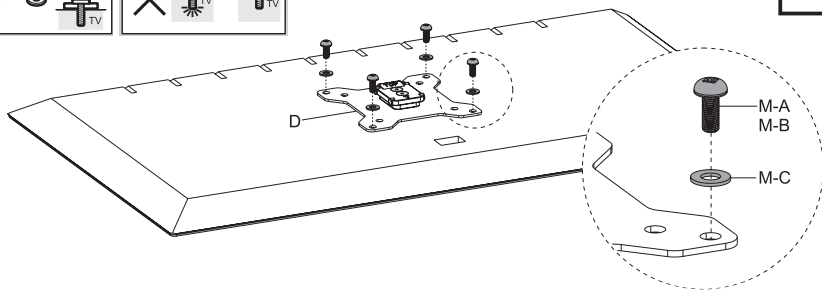
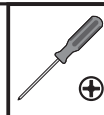
STEP 3

Place gas spring arms (C) on top of lower arm, and secure by turning the screw in back with 3mm Allen wrench (L).



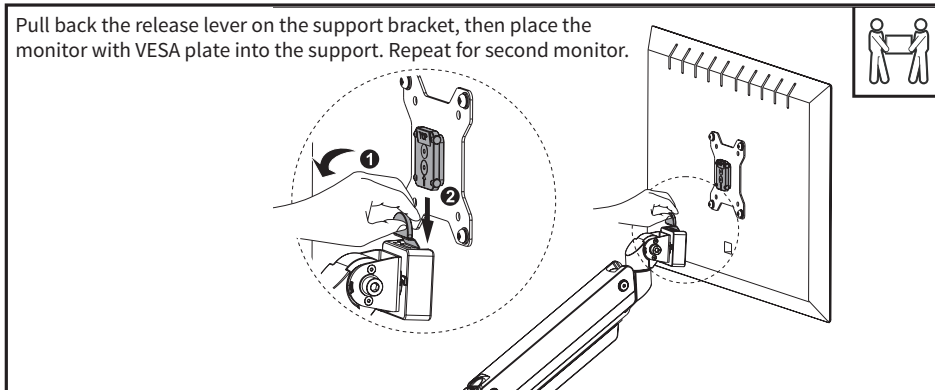
STEP 4

Install the VESA plates (**D**) to monitors using M4x12 bolts (**M-A**) or M5x12 bolts (**M-B**) with washers (**M-C**), making sure the arrow in back is pointing up.



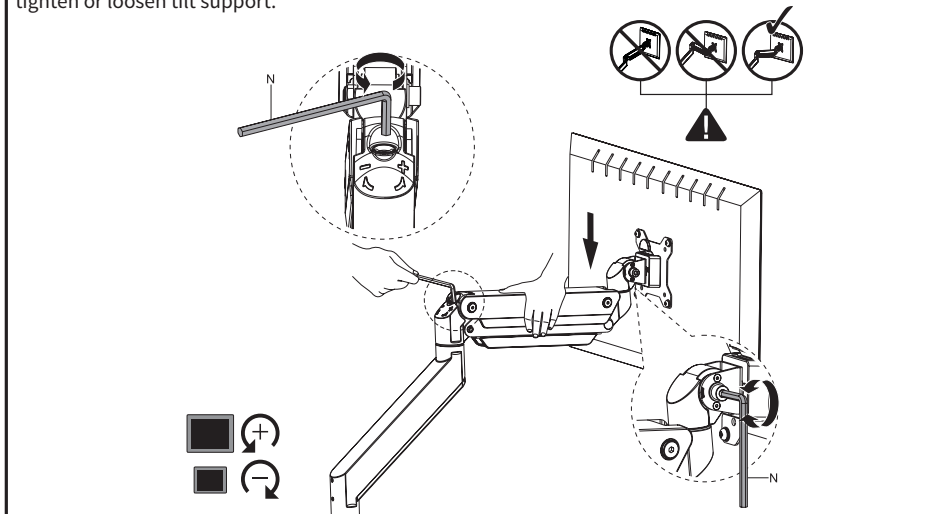
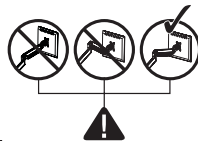
STEP 5

Pull back the release lever on the support bracket, then place the monitor with VESA plate into the support. Repeat for second monitor.



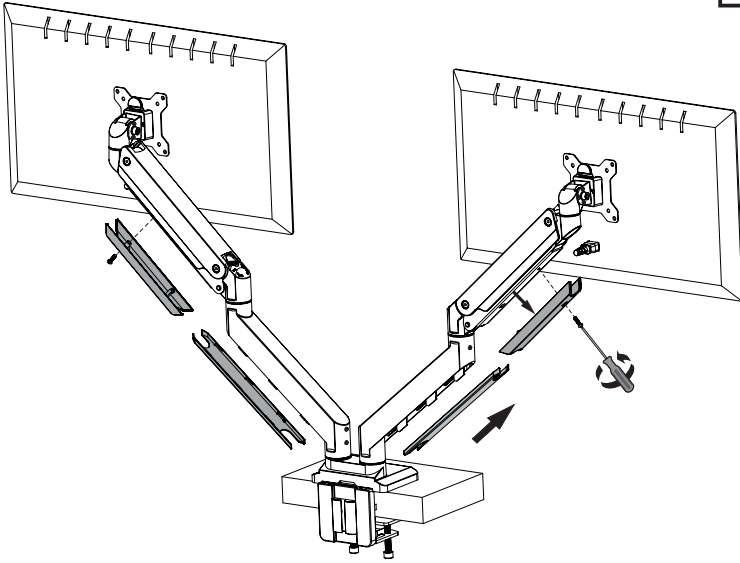
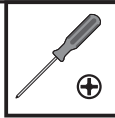
STEP 6

If needed, adjust gas spring arms to support the monitors using the 6mm Allen wrench (**N**). Turn the screw in back clockwise to decrease support, and counter-clockwise to increase. Adjust the tilt joint to tighten or loosen tilt support.



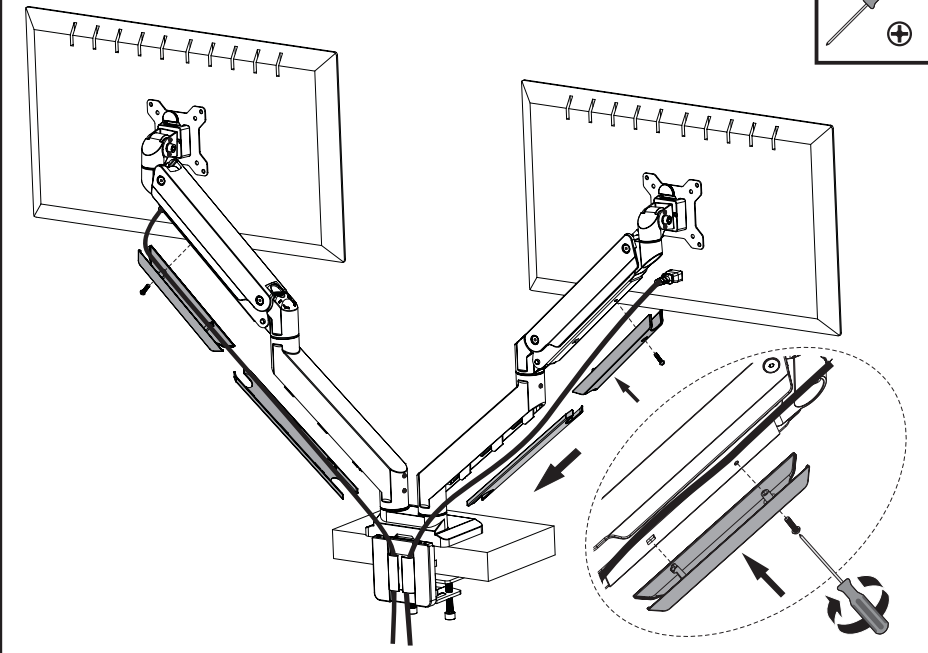
STEP 7

Remove cable covers on upper arms using a Phillips screwdriver. Slide cable covers on lower arms forward to remove.



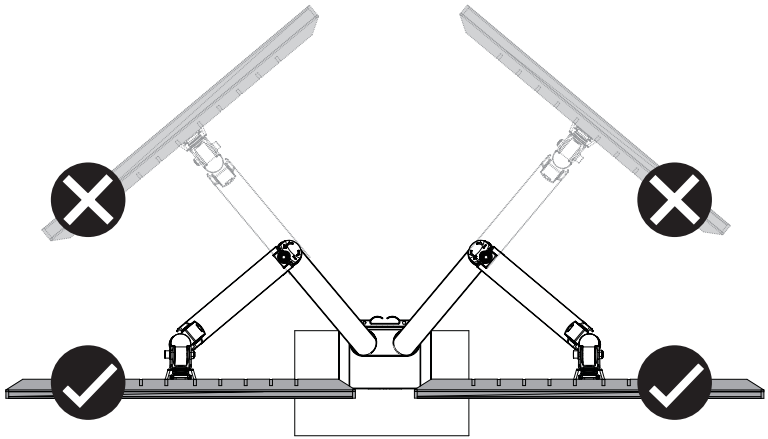
STEP 8

Organize cables, then reinstall cable covers to arms.

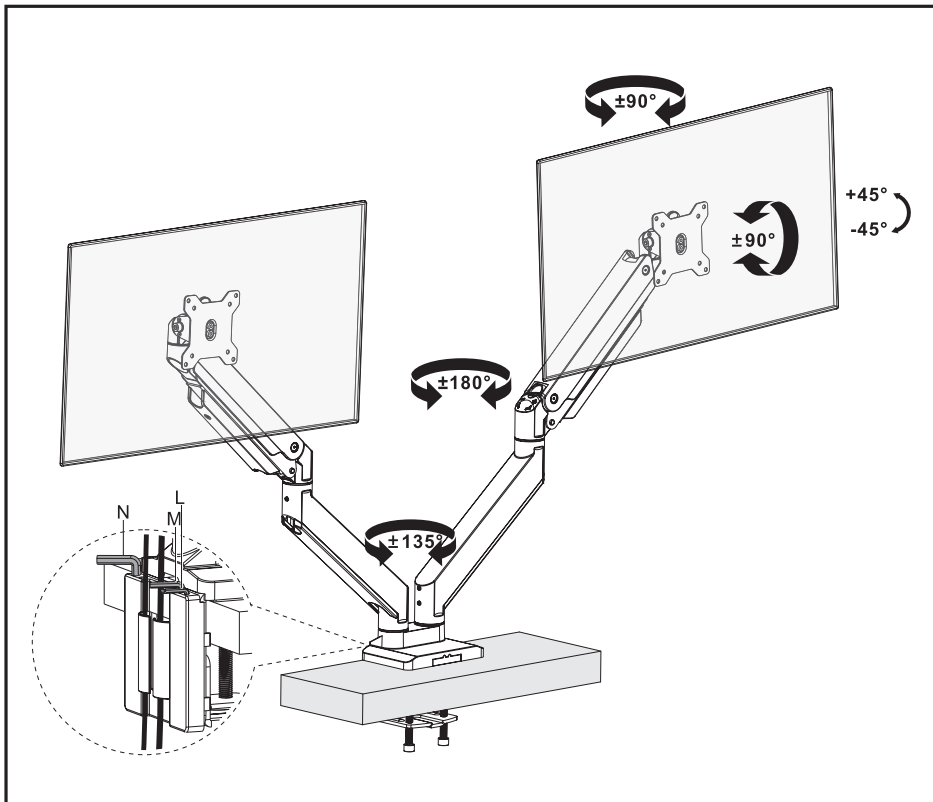


STEP 9

For safety, please do not extend the monitor behind the desk. This may cause instability and tip the desk over.



Adjust as Desired





Open **Monday - Friday 7:00am - 7:00pm** CST,

our dedicated support team can offer immediate assistance with rapid response times. If any parts are received damaged or defective, please contact us. We are happy to replace parts to ensure you have a fully functioning product.


 help@vivo-us.com

AVG. RESPONSE TIME (*within office hrs*): **1HR 8M**

- 23% within < 15m
- 38% within < 30m
- 61% within < 1hr
- 83% within < 2hr
- 92% within < 3hr

 www.vivo-us.com
Chat live with an agent!

AVG. RESOLUTION TIME (*within office hrs*): **< 15 M**

 309-278-5303

AVG. RESOLUTION TIME (*within office hrs*): **5M 4S**