

Pneumatic Arm Dual Monitor Desk Mount with USB

SKU: STAND-V102G2U
Instruction Manual

Assembly Video & Product Info
www.vivo-us.com/products/stand-v102g2u



! CAUTION! !

If you do not understand these directions, or if you have any doubts about the safety of the installation, please contact our product support team at 309-278-5303 or help@vivo-us.com for further assistance. Check carefully to make sure there are no missing or defective parts. Improper installation may cause damage or serious injury. Do not use this product for any purpose that is not explicitly specified in this manual. Do not exceed weight capacity. We cannot be liable for damage or injury caused by improper mounting, incorrect assembly or inappropriate use.



WARNING: CHOKING HAZARD

SMALL PARTS - NOT FOR CHILDREN UNDER 3 YEARS. ADULT SUPERVISION IS REQUIRED.



DO NOT EXCEED WEIGHT CAPACITY

FAILURE TO DO SO MAY RESULT IN SERIOUS INJURY.



TIPOVER WARNING

**SERIOUS OR FATAL CRUSHING INJURIES CAN OCCUR FROM TIPOVER.
TO HELP PREVENT TIPOVER:**

- NEVER ALLOW CHILDREN TO CLIMB, STAND, HANG, OR PLAY ON ANY PART OF TV OR TV CART
- USE TIPOVER RESTRAINT OR ANCHOR STAND TO WALL

USE OF TIPOVER RESTRAINTS MAY ONLY REDUCE, BUT NOT ELIMINATE RISK OF TIPOVER.

We're Here for You

Open **Monday - Friday 7:00am - 7:00pm CST**, our dedicated support team can offer immediate assistance with rapid response times. If any parts are received damaged or defective, please contact us. We are happy to replace parts to ensure you have a fully functioning product.



Give us a Call:
309-278-5303

AVG. RESOLUTION TIME (*within office hrs*): **5M 4S**



Chat Us:
www.vivo-us.com

AVG. RESOLUTION TIME (*within office hrs*): **< 15 M**

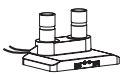


Email Us:
help@vivo-us.com

AVG. RESPONSE TIME (*within office hrs*): **1HR 8M**

- 23% within < 15m
- 38% within < 30m
- 61% within < 1hr
- 83% within < 2hr
- 92% within < 3hr

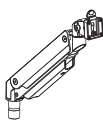
Package Contents



A (x1)
Base



B (x2)
Lower Arm



C (x2)
Gas Spring Arm



D (x2)
VESA Plate



E (x1)
Clamp Plate



F (x1)
Grommet
Plate



G (x1)
Soft Pad



H (x1)
Cover



I (x1)
Clamp Brace



J (x1)
Clamp

Included Hardware & Tools



S-A (x4)
Flat Head Bolt



M-A (x8)
M4x12mm
Screw



M-B (x8)
M5x12mm
Screw



M-C (x8)
D5 Washer



T-A (x1)
3mm Allen
Wrench



T-B (x1)
4mm Allen
Wrench



T-C (x1)
6mm Allen
Wrench

Tools Needed:



**Phillips
Screwdriver**

Weight Capacity:



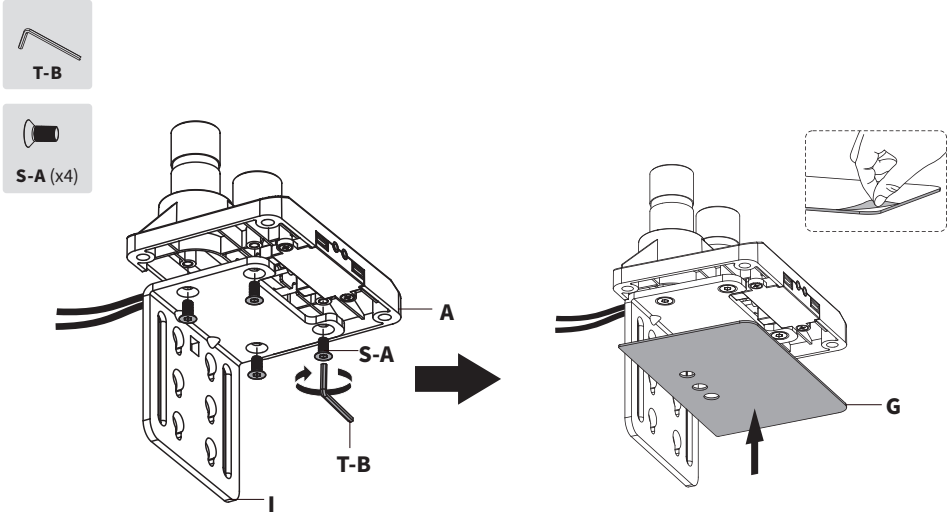
PER ARM

Clamp Installation:

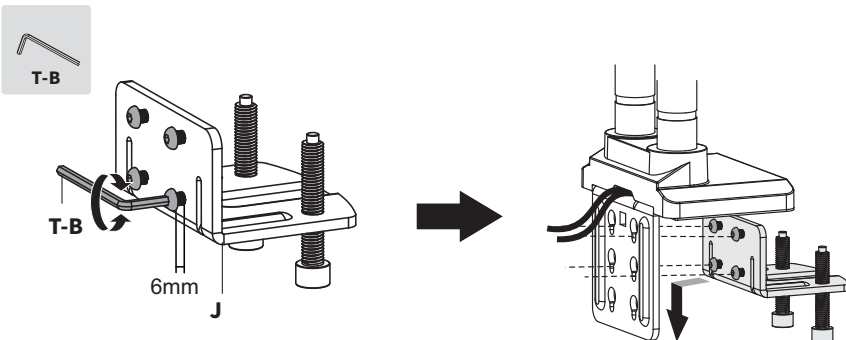
STEP 1a

Desk Thickness 3/8" - 2-1/2" (10 - 58mm)

Attach Clamp Brace (I) to Base (A) using Flat Head Bolts (S-A) and tighten with 4mm Allen Wrench (T-B). Apply Soft Pad (G) to underside of Base.

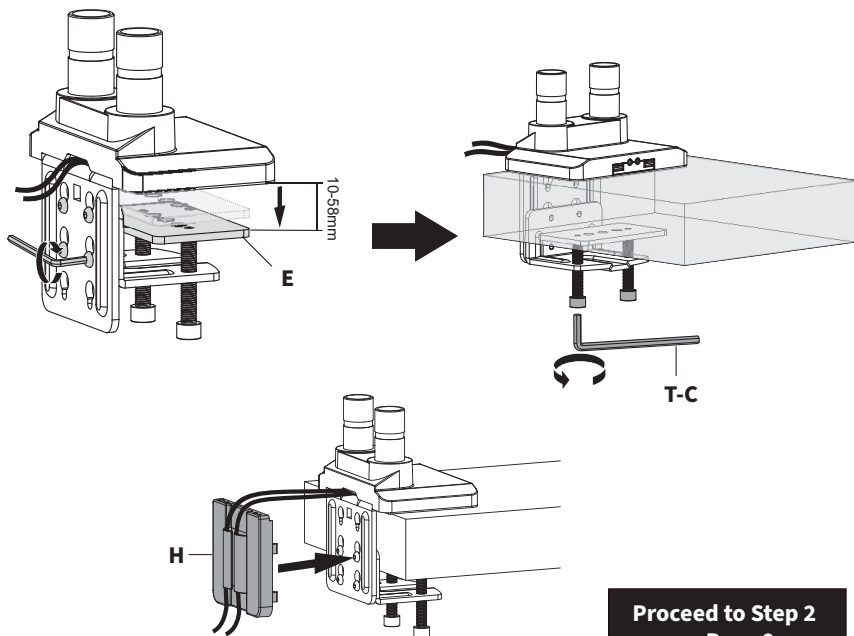


Loosen bolts on back of Clamp (J) using 4mm Allen Wrench, leaving 6mm of thread exposed. Hang assembled clamp into top 4 slots of clamp brace



CONT'D

Place Clamp Plate (**E**) on top of clamp bolts. Position base on desktop and tighten clamp bolts evenly using 6mm Allen Wrench (**T-C**). Attach Cover (**H**) to back of clamp brace.

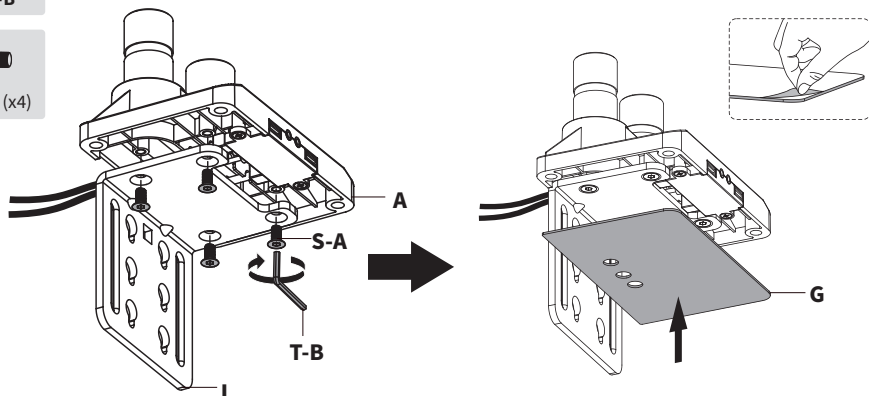


Proceed to Step 2
on Page 8

STEP 1b

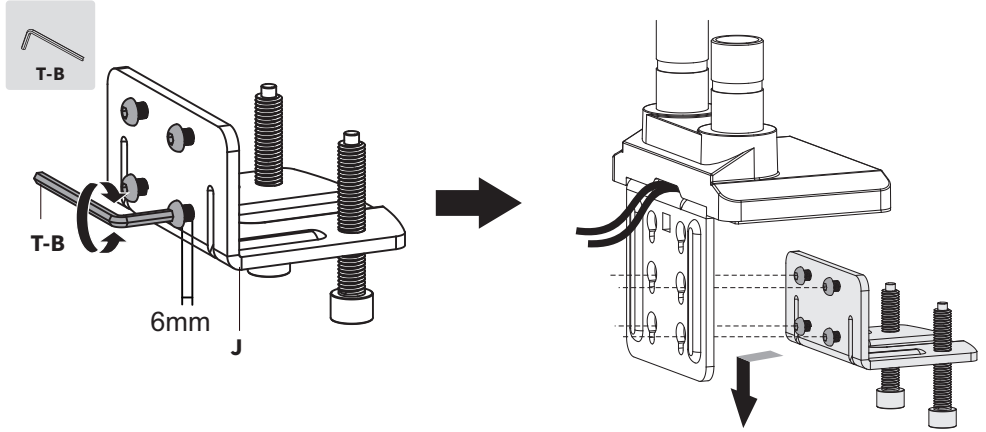
Desk Thickness 2" - 3-3/8" (50 - 85mm)

Attach Clamp Brace (**I**) to Base (**A**) using Flat Head Bolts (**S-A**) and tighten with 4mm Allen Wrench (**T-B**). Apply Soft Pad (**G**) to underside of Base.

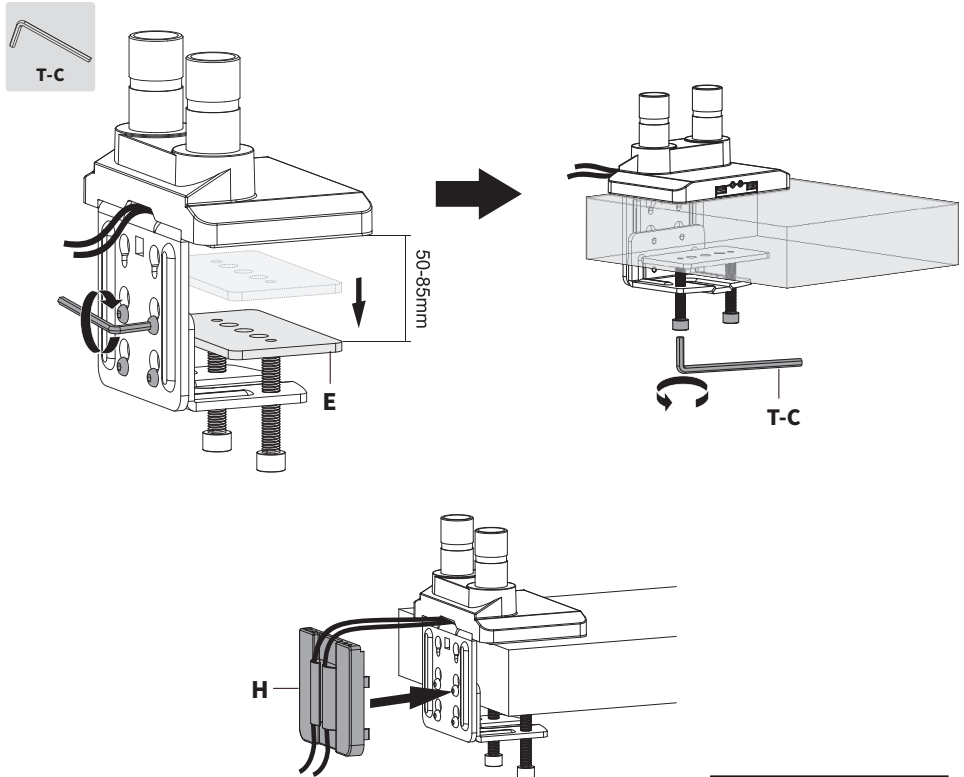


CONT'D

Loosen bolts on back of Clamp (**J**) using 4mm Allen Wrench, leaving 6mm of thread exposed. Hang assembled clamp into lower 4 slots of clamp brace



Place Clamp Plate (**E**) on top of clamp bolts. Position base on desktop and tighten clamp bolts evenly using 6mm Allen Wrench (**T-C**). Attach Cover (**H**) to back of clamp brace.

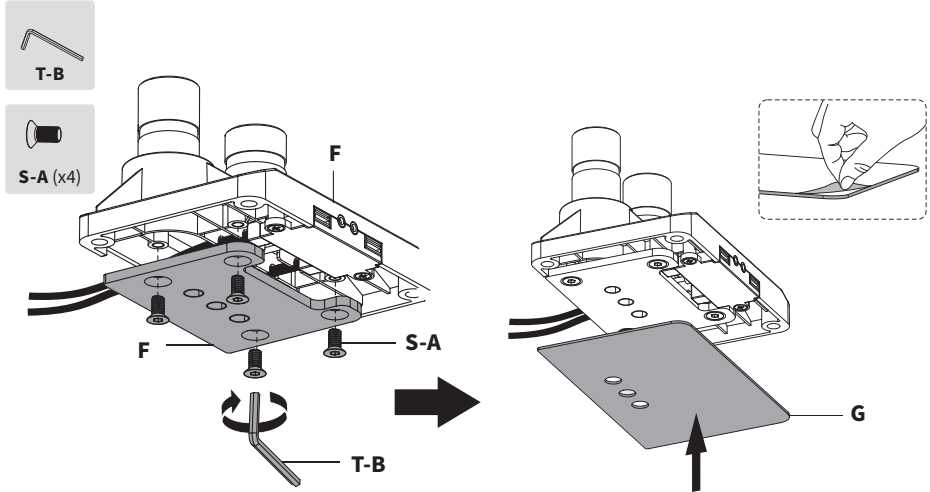


**Proceed to Step 2
on Page 8**

Grommet Installation:

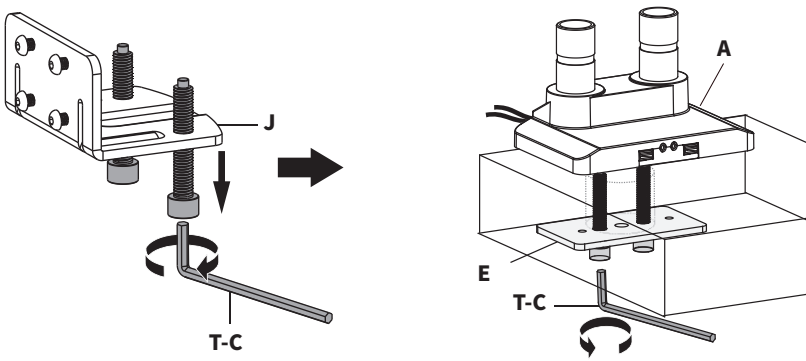
STEP 1c

Attach Grommet Plate (F) to Base (A) using Flat Head Bolts (S-A) and tighten with 4mm Allen Wrench (T-B). Apply Soft Pad (G) to underside of Base.



Position base over grommet hole in desktop, or drill two $\frac{3}{8}$ " (10mm) holes $1\text{-}25/32$ " (45mm) apart through the desk for installation.

Remove clamp bolts from Clamp (J) using 6mm Allen Wrench (T-C) if needed. Insert clamp bolts with Clamp Plate (E) up through the underside of the desk and tighten to the Base using the 6mm Allen Wrench (T-C).



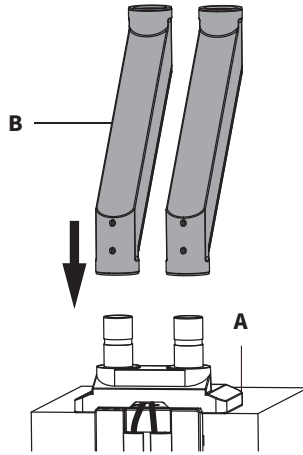
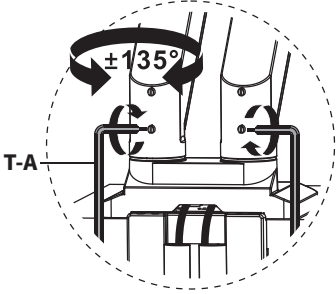
Proceed to Step 2
on Page 8

All Assemblies

STEP 2

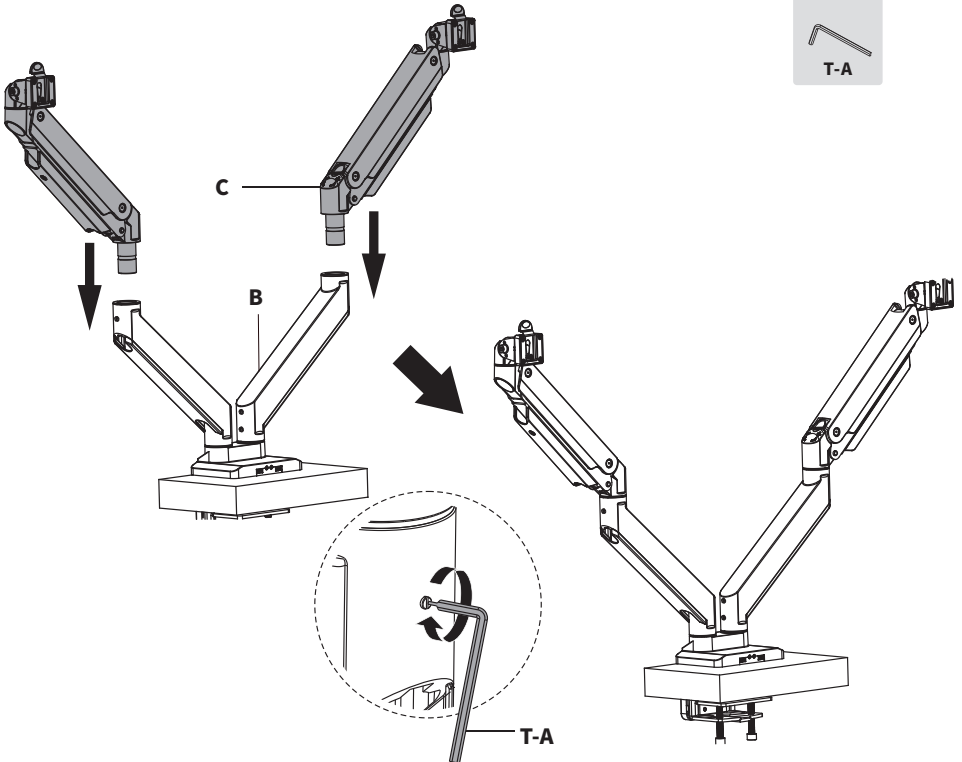
Place Lower Arms (**B**) on top of Base (**A**), and secure by turning the lower screws in back with 3mm Allen Wrench (**T-A**).

(NOTE: The upper screws in back do not have a function on this model).



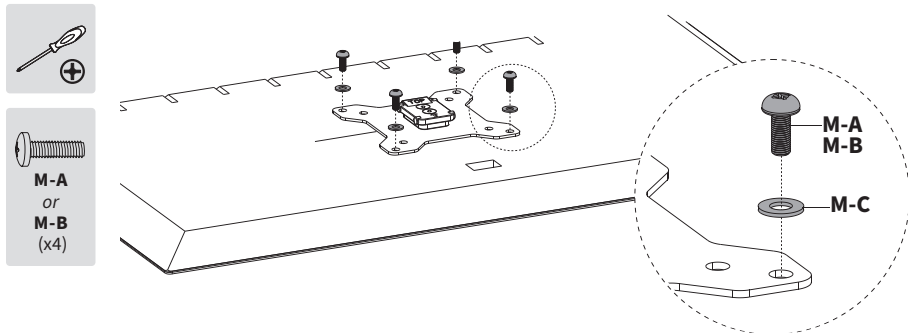
STEP 3

Place Gas Spring Arms (**C**) on top of Lower Arms, and secure by turning the screw in back with 3mm Allen Wrench (**T-A**).



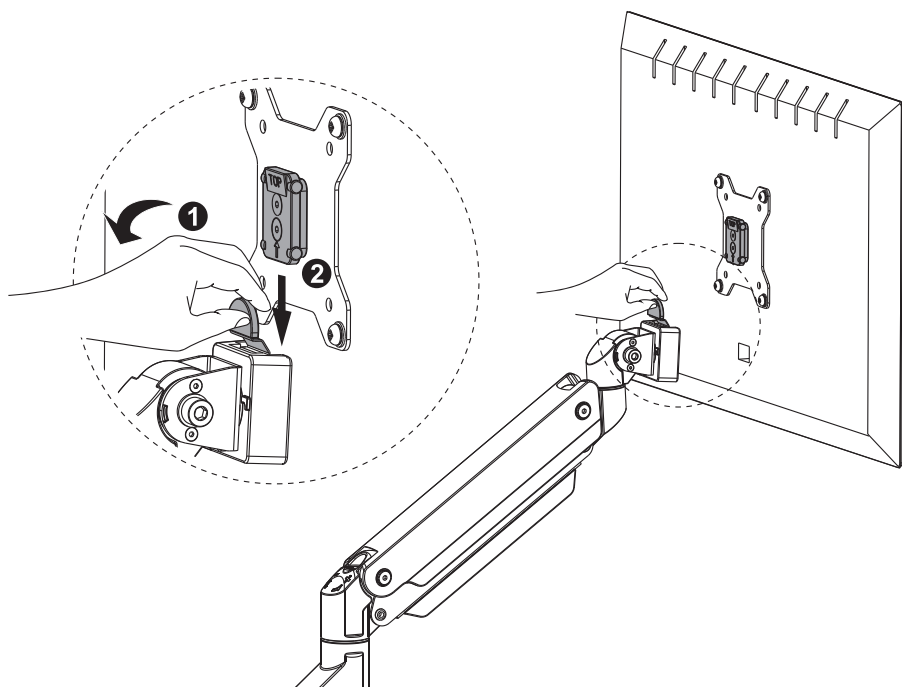
STEP 4

Install the VESA Plates (**D**) to monitors using M4x12mm Screws (**M-A**) or M5x12mm Screws (**M-B**) with Washers (**M-C**), making sure the arrow in back is pointing up. Tighten with Phillips screwdriver.



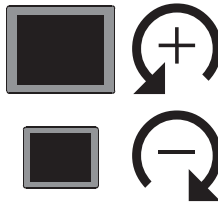
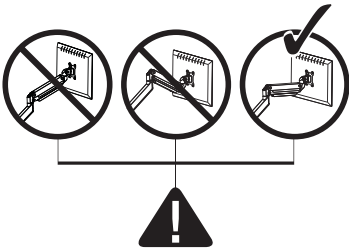
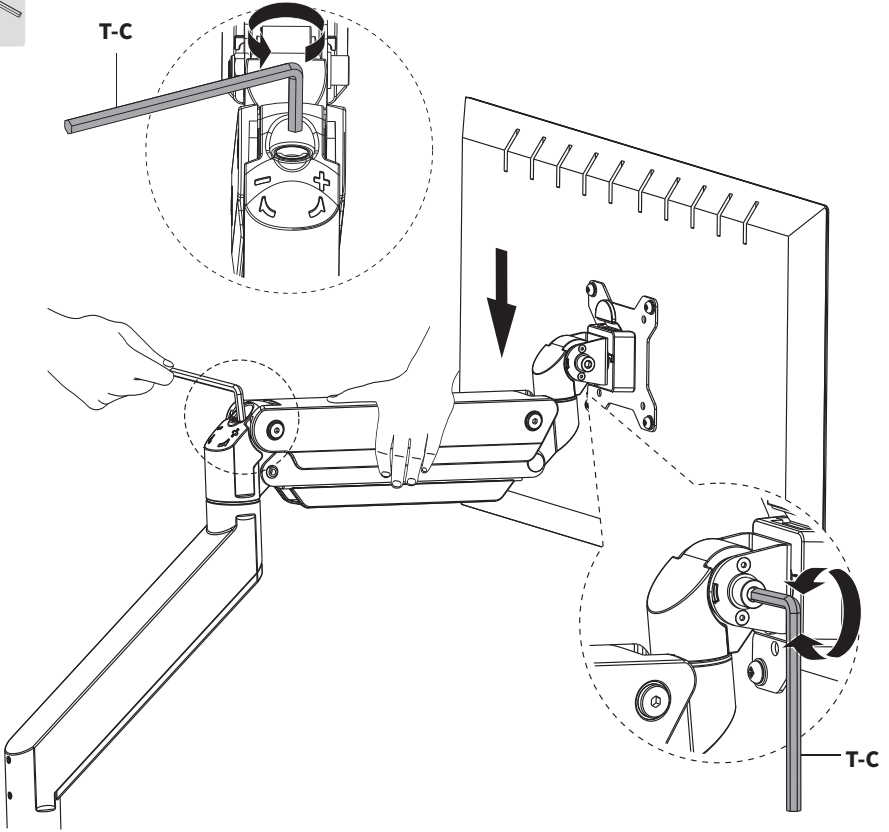
STEP 5

Pull back the release lever on the support bracket, then place the monitor with VESA Plate into the support. Repeat for second monitor.



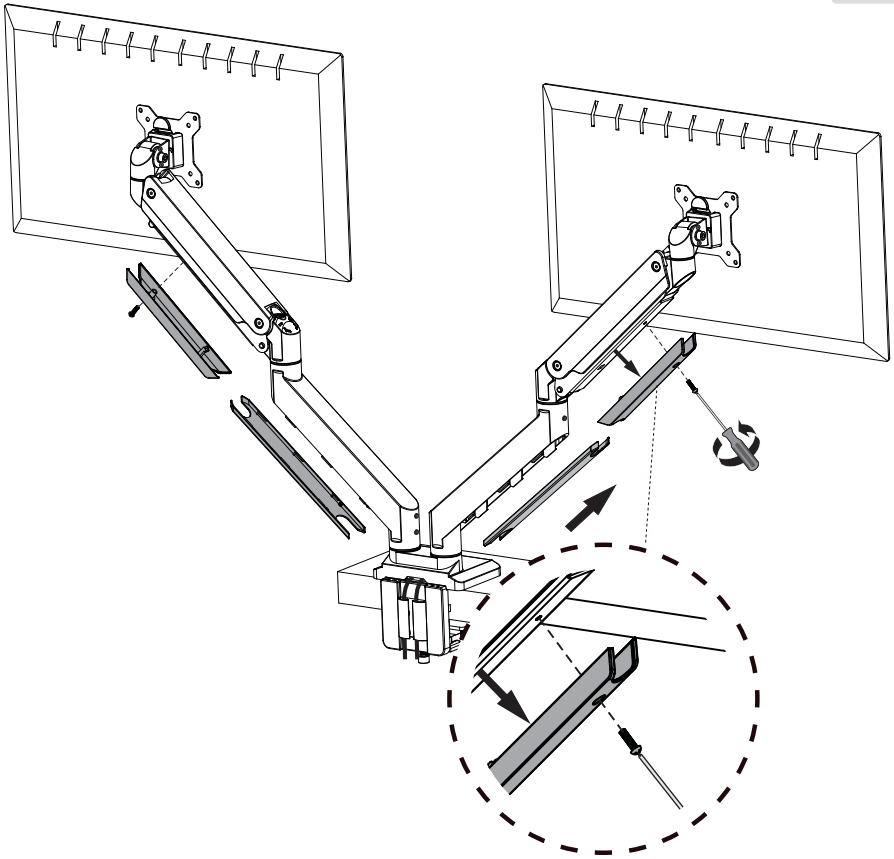
STEP 6

If needed, adjust the counterbalance weight of Gas Spring Arms to support the monitors using the 6mm Allen Wrench (**T-C**). To do so, Turn the screw in back clockwise to decrease support, and counter-clockwise to increase. Adjust the tilt joint to tighten or loosen tilt support.



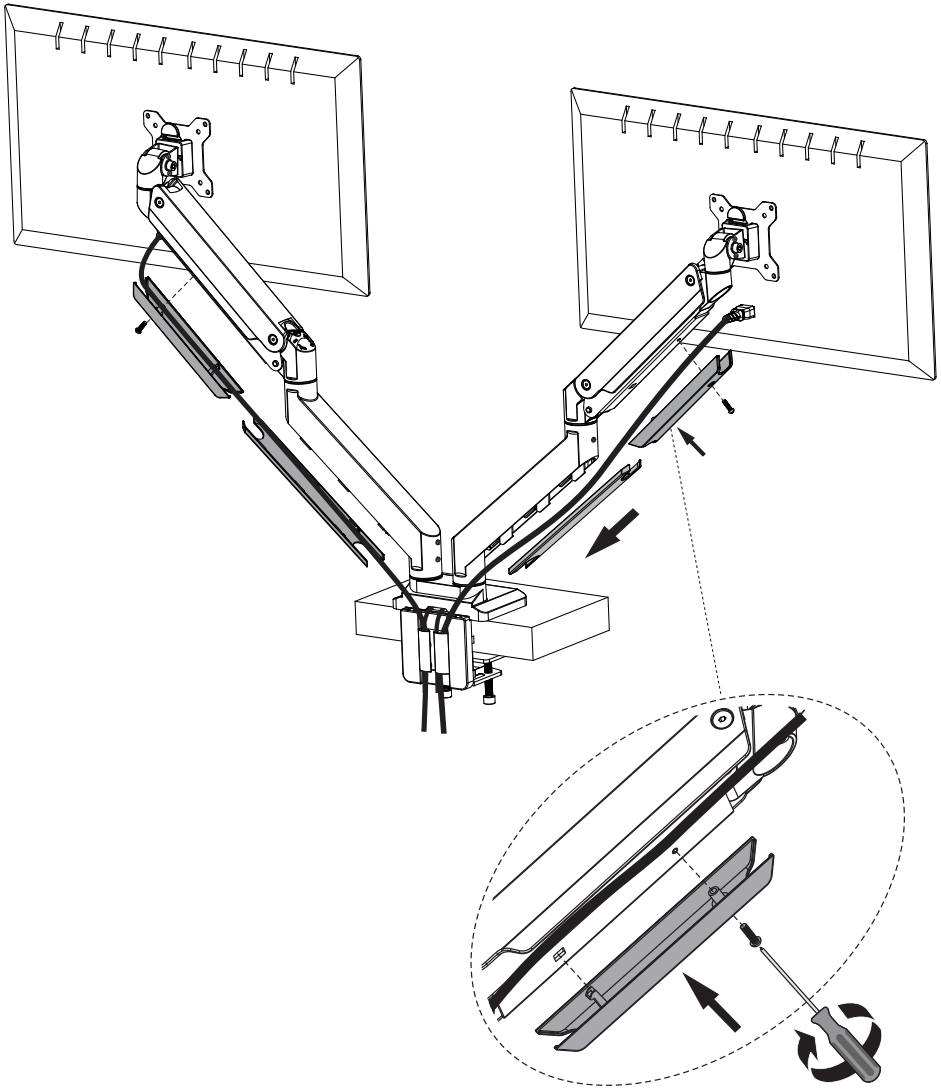
STEP 7

Remove cable covers on upper arms using a Phillips screwdriver. Slide cable covers on lower arms forward to remove.



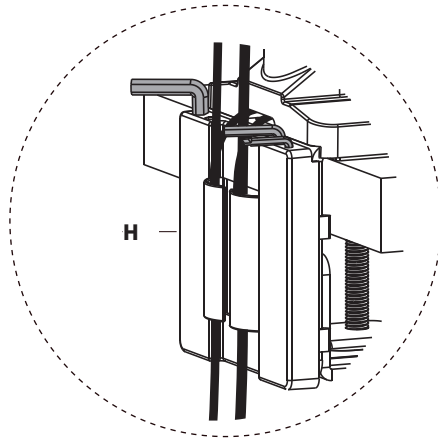
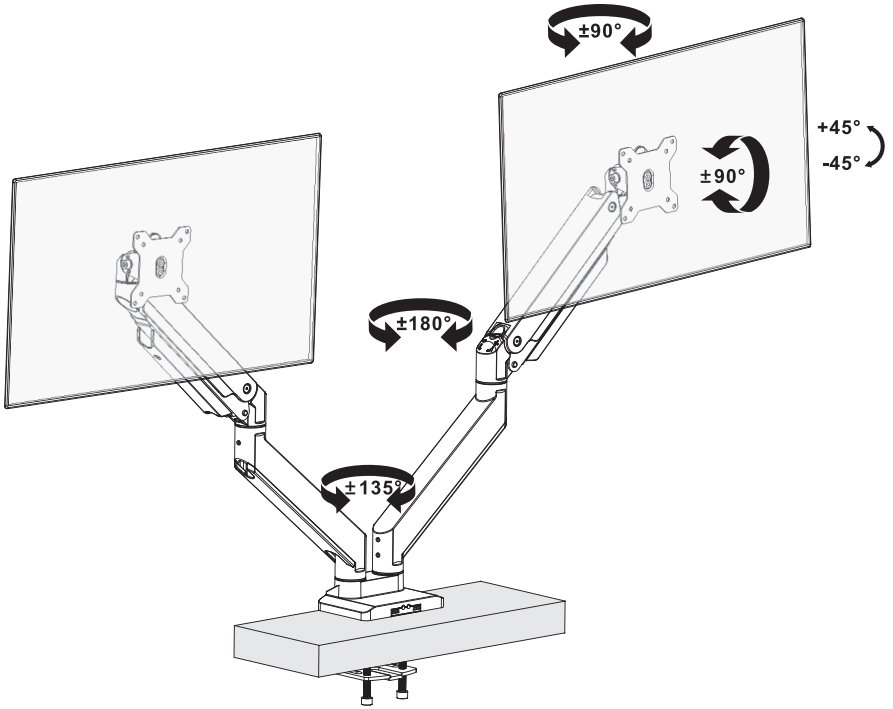
STEP 8

Organize cables, then reinstall cable covers to arms.



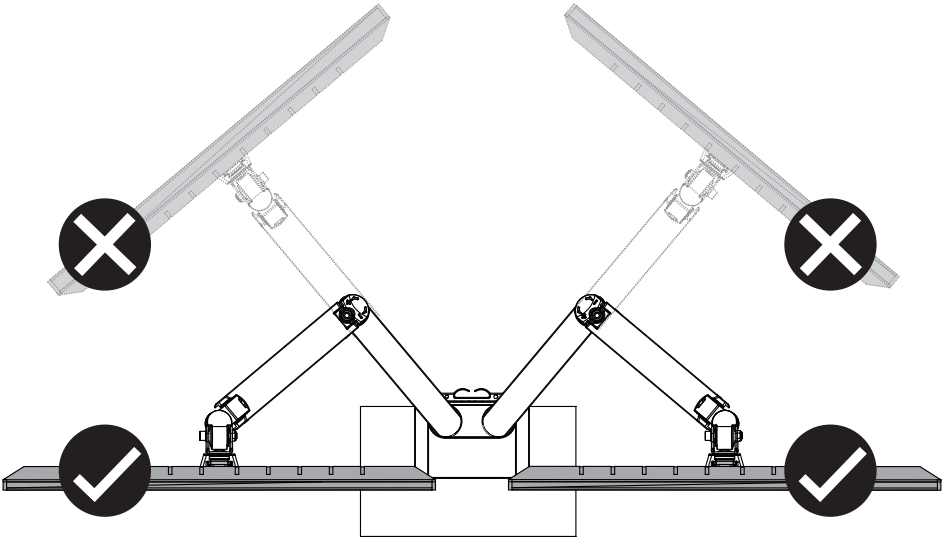
STEP 9

Adjust arms as desired. Store Allen Wrenches in Cable Cover (**H**).



! WARNING !

For safety, please do not extend the monitor behind the desk. This may cause instability and tip the desk over.



[THIS PAGE INTENTIONALLY LEFT BLANK]



Need Help? Get In Touch

Monday-Friday from 7:00am-7:00pm CST



help@vivo-us.com



www.vivo-us.com

Chat live with an agent!



309-278-5303



VIVO-us @vivo_us