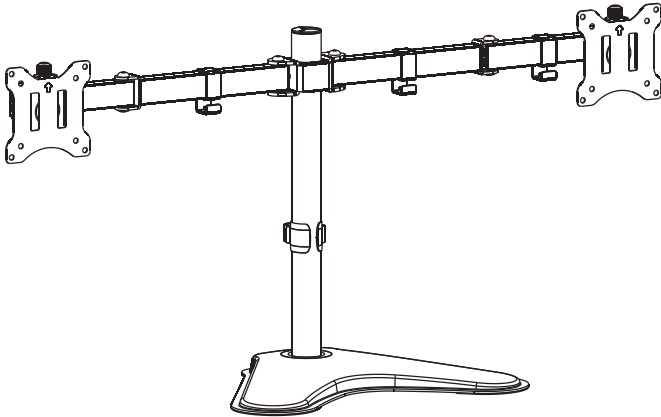


---

## Dual Monitor Desk Stand

### Instruction Manual



**SKU: STAND-V102F**



Scan the QR code with your mobile device or follow the link for helpful videos and specifications related to this product.

**<https://vivo-us.com/products/stand-v102f>**

---

GET IN TOUCH | Monday-Friday from 7:00am-7:00pm CST



help@vivo-us.com



www.vivo-us.com  
*Chat live with an agent!*



309-278-5303

 **WARNING!**

If you do not understand these directions, or if you have any doubts about the safety of the installation, please contact our product support team at 309-278-5303 or help@vivo-us.com for further assistance. Check carefully to make sure there are no missing or defective parts. Improper installation may cause damage or serious injury. Do not use this product for any purpose that is not explicitly specified in this manual. Do not exceed weight capacity. We cannot be liable for damage or injury caused by improper mounting, incorrect assembly or inappropriate use.

 **TIPOVER WARNING**

SERIOUS OR FATAL CRUSHING INJURIES CAN OCCUR FROM TIPOVER. TO HELP PREVENT TIPOVER:

- **TO PREVENT TIPPING, PLEASE BE CAREFUL NOT TO EXTEND THE ARMS TOO FAR FORWARD OR BACKWARD.**
- NEVER ALLOW CHILDREN TO CLIMB, STAND, HANG, OR PLAY ON ANY PART OF MONITOR OR STAND.
- USE TIPOVER RESTRAINT OR ANCHOR STAND TO WALL

**USE OF TIPOVER RESTRAINTS MAY ONLY REDUCE, BUT NOT ELIMINATE RISK OF TIPOVER.**

 **WARNING: CHOKING HAZARD**

SMALL PARTS - NOT FOR CHILDREN UNDER 3 YEARS. ADULT SUPERVISION IS REQUIRED.

DO NOT EXCEED WEIGHT CAPACITY.

Failure to do so may result in serious injury.



**PER ARM**

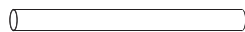
# PACKAGE CONTENTS



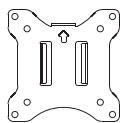
**A (x1)**  
Base



**B (x1)**  
Arm



**C (x1)**  
Pole



**D (x2)**  
VESA Plate



**E (x1)**  
Pole Cable  
Clip



**F (x4)**  
Arm Wire  
Clip



**G (x1)**  
Pole Cap



**H (x2)**  
Knob



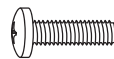
**S-A (x3)**  
M6x12mm  
Screw



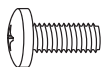
**S-B (x2)**  
M3x8



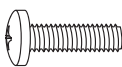
**M-A (x8)**  
M4x12mm  
Screw



**M-B (x8)**  
M4x16mm  
Screw



**M-C (x8)**  
M5x12mm  
Screw



**M-D (x8)**  
M5x16mm  
Screw



**M-E (x8)**  
Washer



**M-F (x8)**  
Spacer



**T-A (x1)**  
4mm Allen  
Wrench



**T-B (x1)**  
6mm Allen  
Wrench

## TOOLS NEEDED

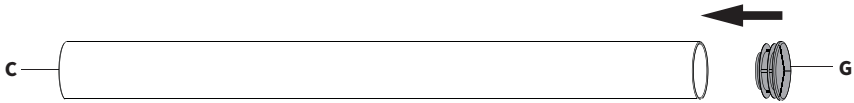


**NOTE:** SOME HARDWARE INCLUDED MAY NOT BE USED

# ASSEMBLY STEPS

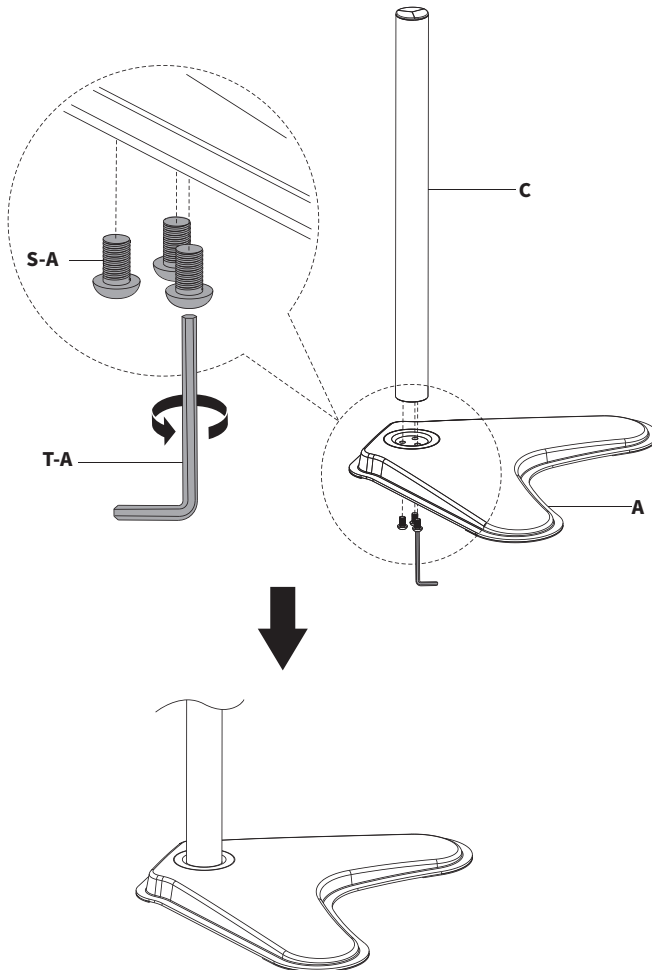
## STEP 1

Attach Pole Cap (**G**) to the top of Pole (**C**).



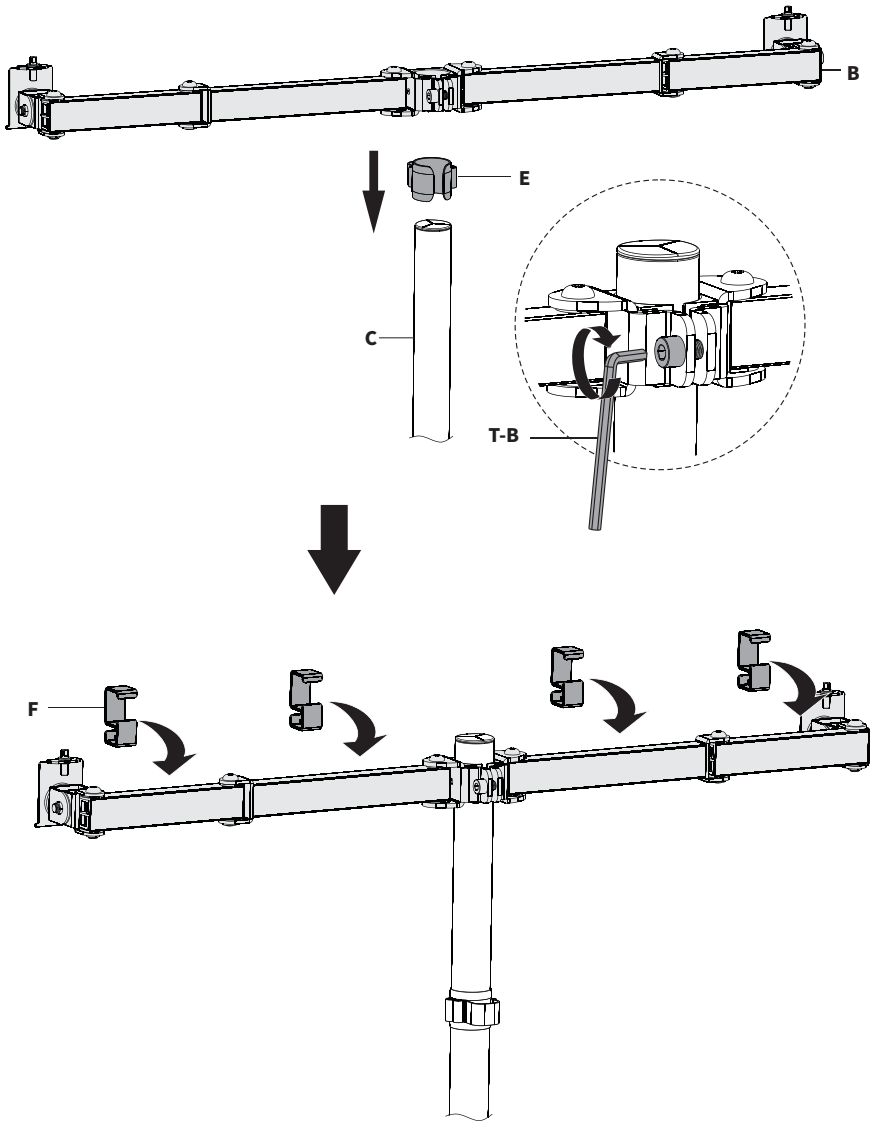
## STEP 2

Attach Pole (**C**) to Base (**A**) using M6x12mm Screws (**S-A**) and tighten using the 4mm Allen Wrench (**T-A**).



### STEP 3

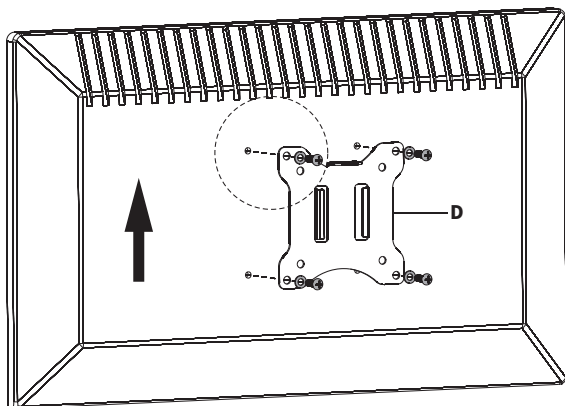
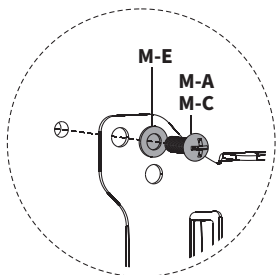
Slide Pole Cable Clip (**E**) and Arm (**B**) onto Pole (**C**) and tighten using the 6mm Allen Wrench (**T-B**). Attach Arm Cable Clips (**F**) to Arm (**B**).



# STEP 4

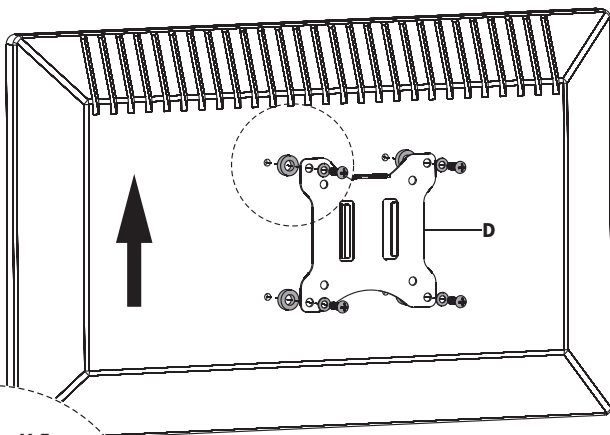
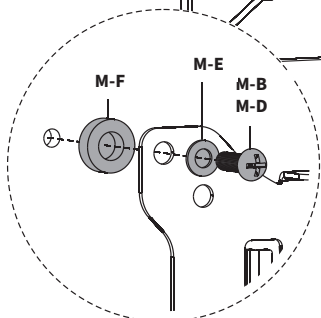
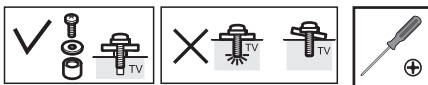
## OPTION A: Flat Back Monitor

Attach VESA Plates (D) to monitors using appropriate screws (M-A or M-C) and Washers (M-E). Tighten with a Phillips screwdriver.



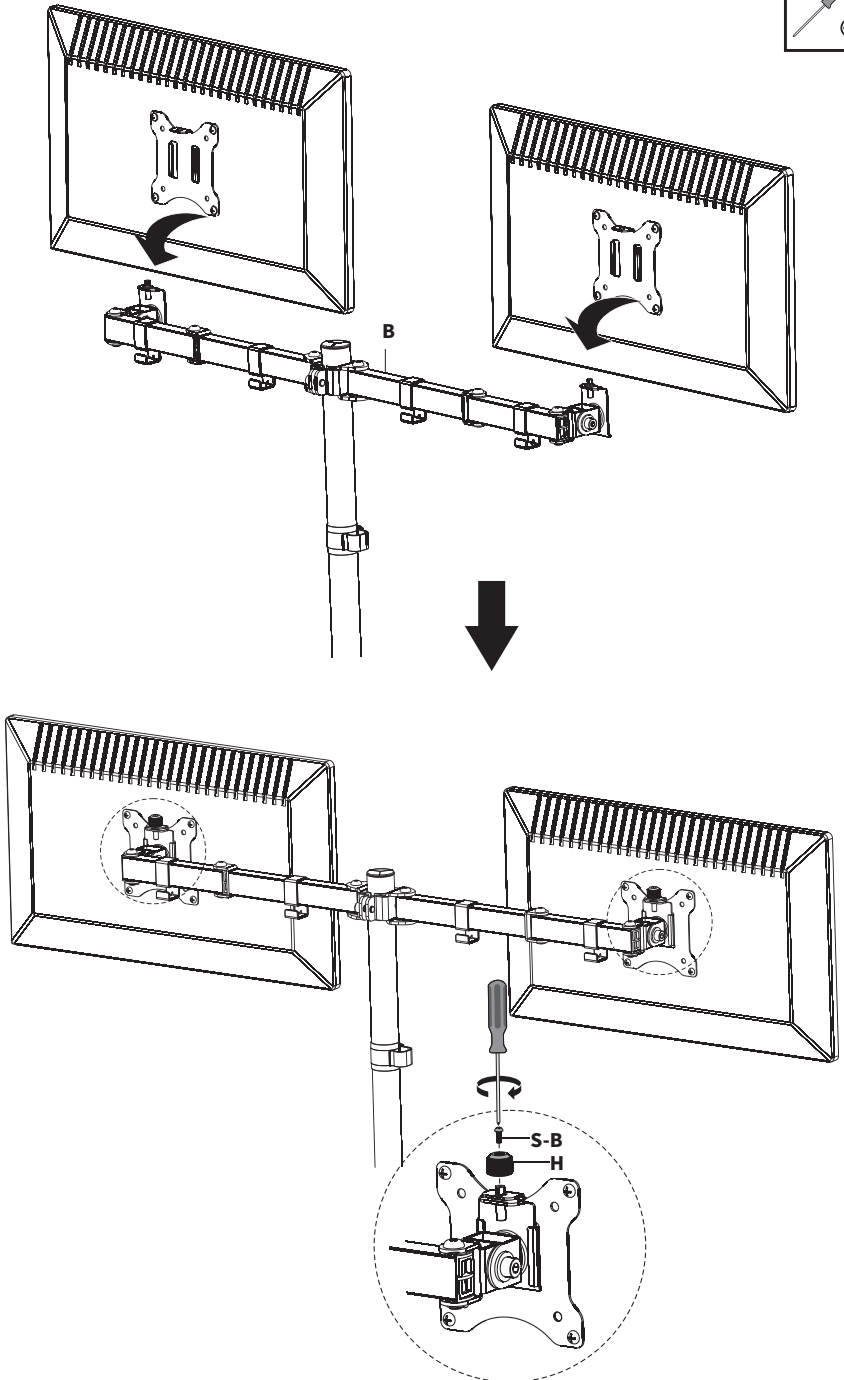
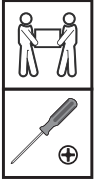
## OPTION B: Recessed Back Monitor

Attach VESA Plates (D) to monitors using appropriate Screws (M-B or M-D), Washers (M-E) and Spacers (M-F). Tighten with a Phillips screwdriver.



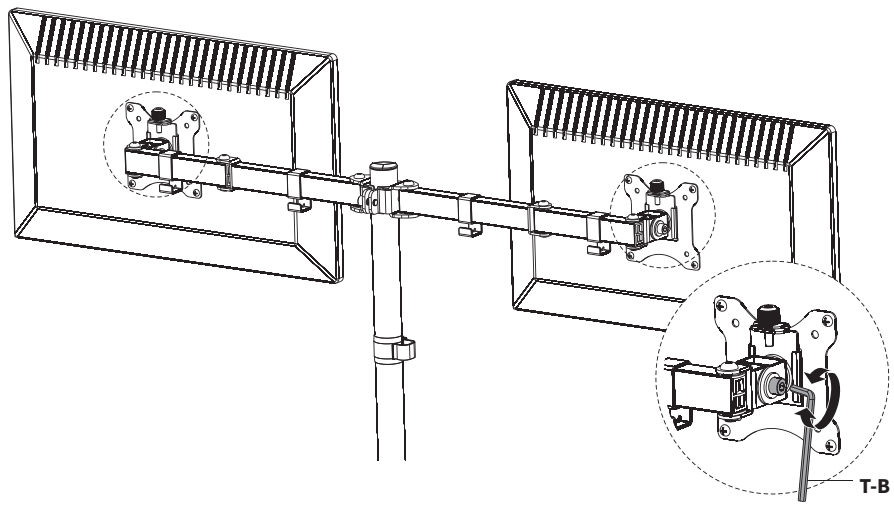
## STEP 5

Slide monitors onto Arm (B) and secure using Knobs (H), M3x8mm Screws (S-B), and a Phillips screwdriver.



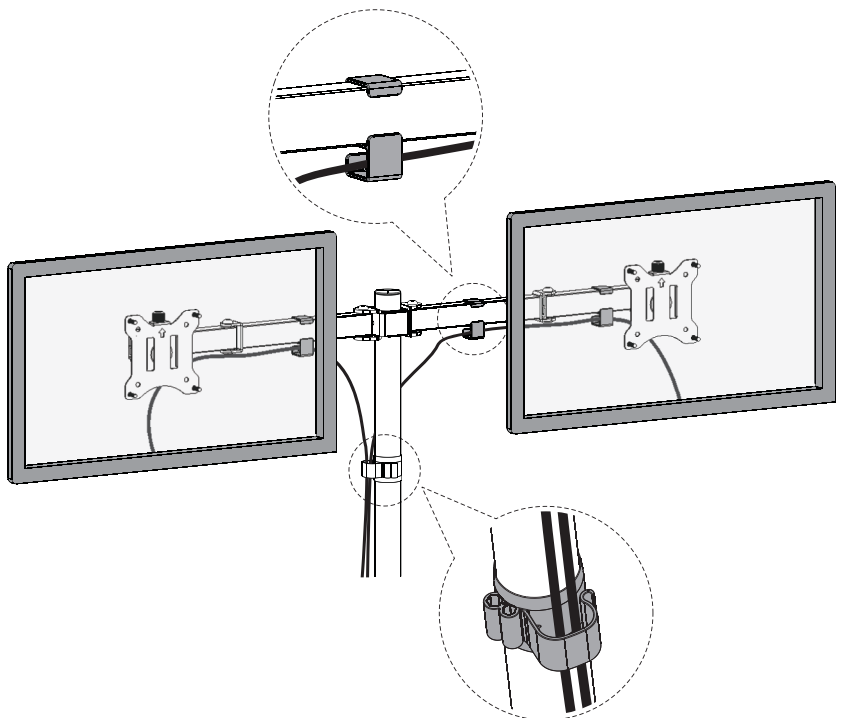
# STEP 6

Tighten or loosen the tilt joint using 6mm Allen Wrench (T-B).



# STEP 7

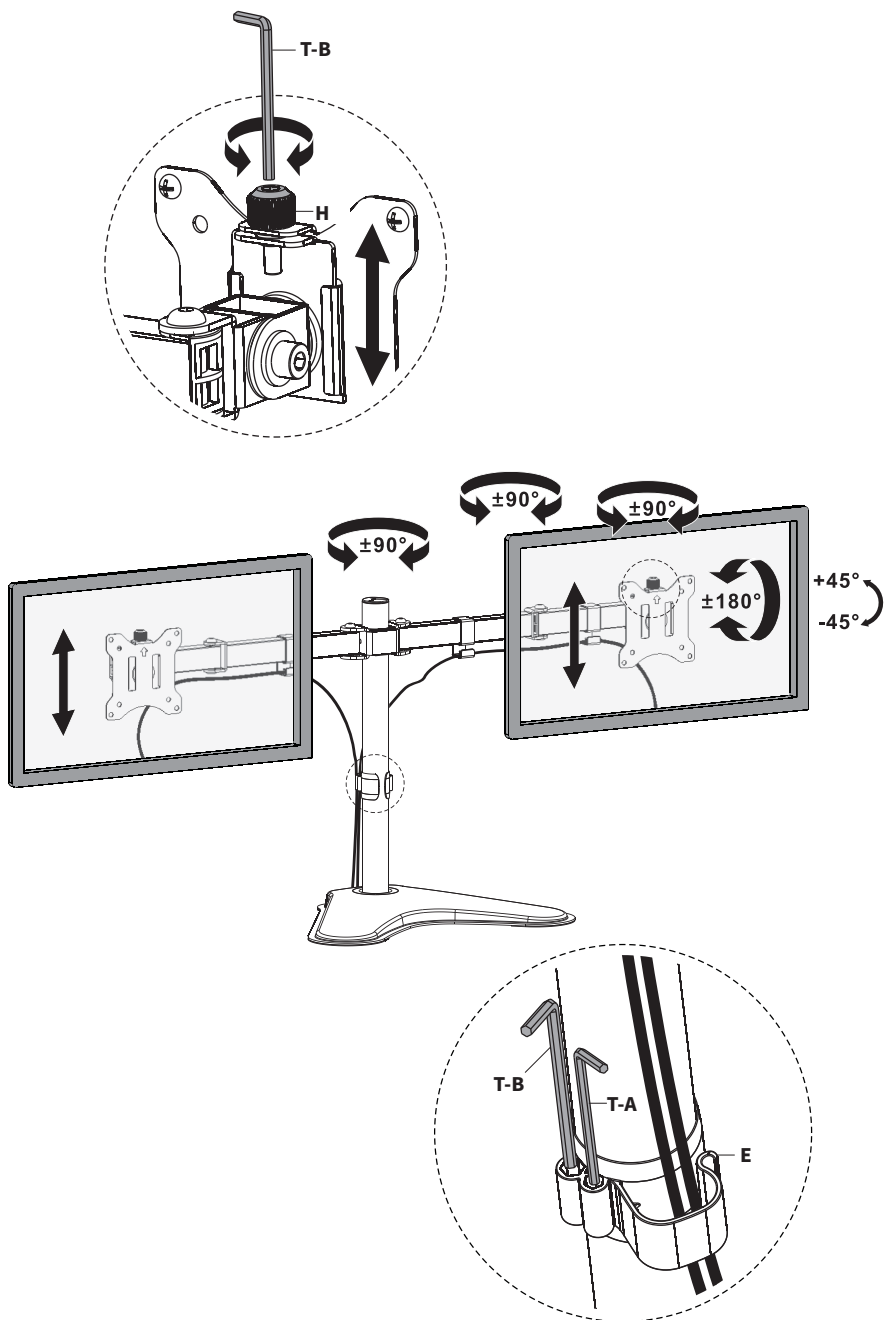
Route cables through the cable management clips.





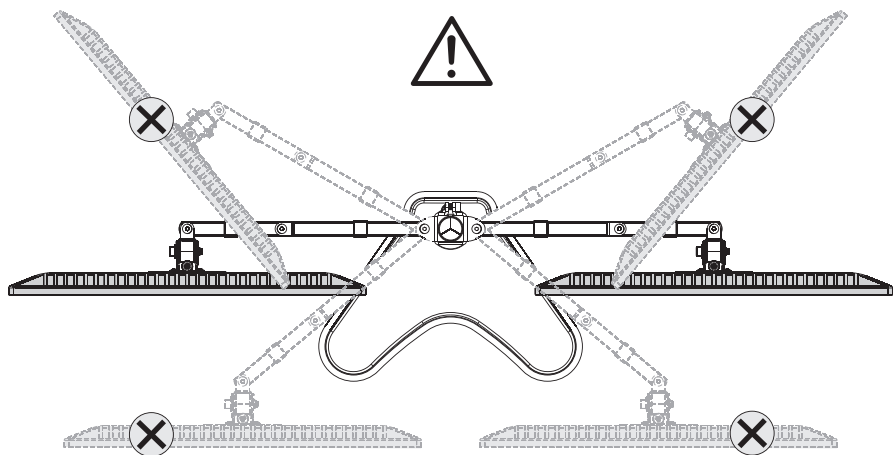
## Adjust as Desired

To level monitors, turn Knobs (H) using 6mm Allen Wrench. Store Allen Wrenches (T-A, T-B) in Cable Clip (E).



# CAUTION

**CAUTION:** To prevent tipping, please be careful not to extend the arms too far forward or backward.



[ THIS PAGE INTENTIONALLY LEFT BLANK ]



Love your new VIVO setup and want to share?  
Tag us in your photo! [@vivo\\_us](#)

LAST UPDATED: 08/31/2023  
REV2



Open **Monday - Friday 7:00am - 7:00pm** CST,  
our dedicated support team can offer immediate assistance with rapid response times. If any parts are received damaged or defective, please contact us. We are happy to replace parts to ensure you have a fully functioning product.



[www.vivo-us.com](http://www.vivo-us.com)  
*Chat live with an agent!*

**AVG. RESOLUTION TIME** (*within office hrs*): **< 15 M**



309-278-5303

**AVG. RESOLUTION TIME** (*within office hrs*): **5M 4S**



[help@vivo-us.com](mailto:help@vivo-us.com)

**AVG. RESPONSE TIME** (*within office hrs*): **1HR 8M**

- 23% within < 15m
- 38% within < 30m
- 61% within < 1hr
- 83% within < 2hr
- 92% within < 3hr

FOR MORE VIVO PRODUCTS, CHECK OUT OUR WEBSITE AT: [www.vivo-us.com](http://www.vivo-us.com)