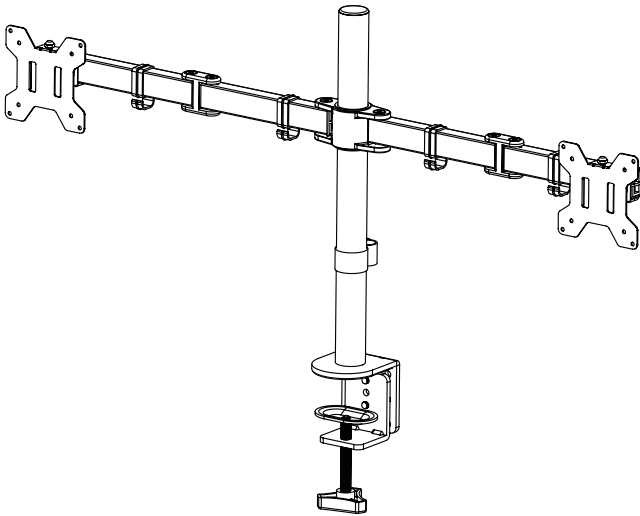


---

## Dual Monitor Desk Mount

### Instruction Manual



**SKU: STAND-V102D**



Scan the QR code with your mobile device or follow the link for helpful videos and specifications related to this product.

<https://vivo-us.com/products/stand-v102d>

---

**GET IN TOUCH** | Monday-Friday from 7:00am-7:00pm CST



help@vivo-us.com



www.vivo-us.com  
*Chat live with an agent!*



309-278-5303

# **WARNING!**

If you do not understand these directions, or if you have any doubts about the safety of the installation, please call a qualified technician. Check carefully to make sure there are no missing or defective parts. Improper installation may cause damage or serious injury. Do not use this product for any purpose that is not explicitly specified in this manual. Do not exceed weight capacity. We cannot be liable for damage or injury caused by improper mounting, incorrect assembly or inappropriate use.

## **TIPOVER WARNING**

SERIOUS OR FATAL CRUSHING INJURIES CAN OCCUR FROM TIPOVER. TO HELP PREVENT TIPOVER:

- NEVER ALLOW CHILDREN TO CLIMB, STAND, HANG, OR PLAY ON ANY PART OF MONITOR OR STAND.
- USE TIPOVER RESTRAINT OR ANCHOR STAND TO WALL

**USE OF TIPOVER RESTRAINTS MAY ONLY REDUCE, BUT NOT ELIMINATE RISK OF TIPOVER.**

## **WARNING: CHOKING HAZARD**

SMALL PARTS - NOT FOR CHILDREN UNDER 3 YEARS. ADULT SUPERVISION IS REQUIRED.

# PACKAGE CONTENTS



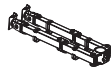
**A (x1)**  
Pole



**B (x1)**  
Clamp



**C (x1)**  
Clamp Brace



**D (x1)**  
Swivel Arm



**E (x2)**  
VESA Plate



**F (x3)**  
M5x14



**G (x2)**  
M8x12



**H (x2)**  
M4x6



**I (x1)**  
M10 Washer



**J (x1)**  
Spring Washer



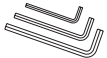
**K (x1)**  
Grommet



**L1 (x1)**  
Wire Clip



**L2 (x2)**  
Wire Clip



**M (x1)**  
Allen Key Set



**N (x8)**  
M4x12  
Thumbscrew



**O (x8)**  
M4x30



**P (x8)**  
M4 Spacer



**Q1 (x1)**  
Soft Pad



**Q2 (x1)**  
Soft Pad

**NOTE: SOME HARDWARE INCLUDED MAY NOT BE USED**

## TOOLS NEEDED



DO NOT EXCEED WEIGHT CAPACITY.

Failure to do so may result in serious injury.

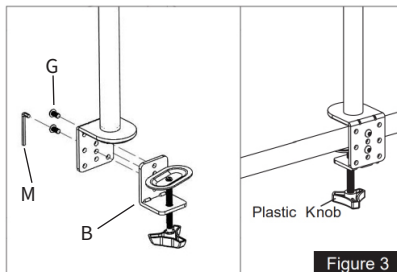
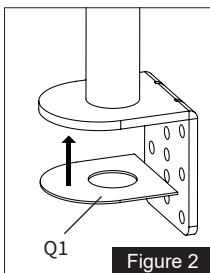
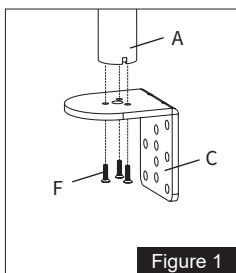


## ASSEMBLY STEPS

### STEP 1

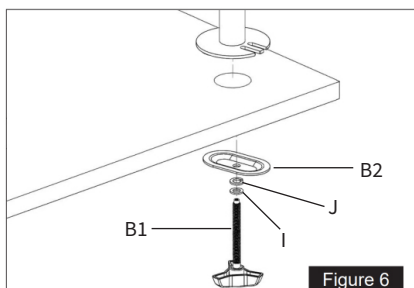
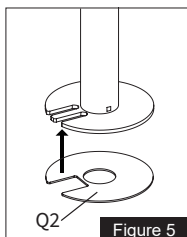
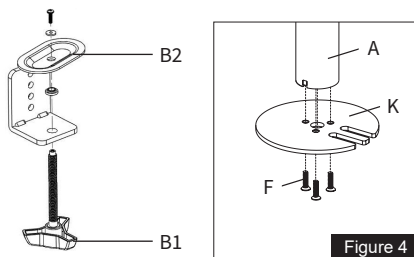
#### Option A: Desk Clamp Install

1. Install the clamp brace (C) to the pole (A) using x3 M5x14 bolts (F). See Figure 1.
2. Attach soft pad (Q1) to the clamp brace (C), see Figure 2.
3. Install the clamp (B) to the pole assembly according to the thickness of the desktop. The thickness can be changed to 3 positions. Connect using x2 M8x12 bolts (G) and tighten using the Allen key (M). Tighten the clamp to the desktop using the plastic knob. See Figure 3.



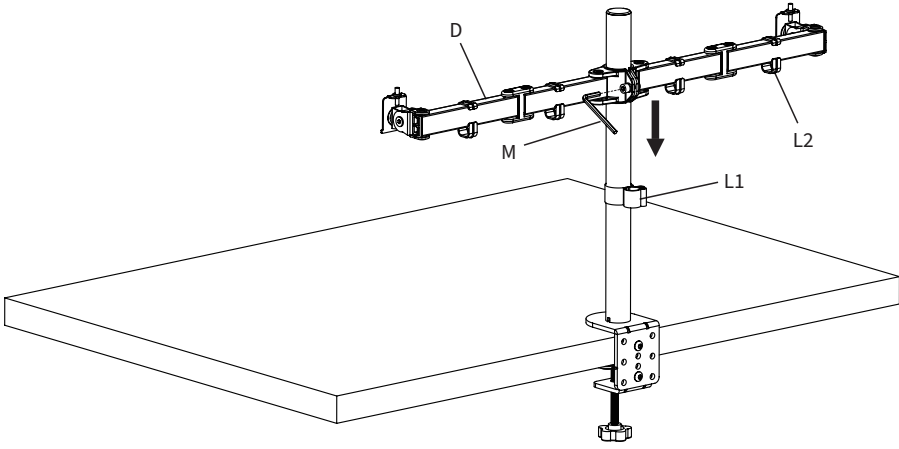
#### Option B: Grommet Install

1. If desk does not have an existing grommet hole, drill a 3/8" (10mm) diameter hole at the desired position through the mounting surface.
2. Completely disassemble clamp (B) into individual parts. Set knob (B1) and clamp plate (B2) aside for later use. The L bracket, bolt, washer and bushing will not be used.
3. Install grommet base plate (K) to the pole (A) using x3 M5x14 bolts (F). See Figure 4.
4. Attach soft pad (Q2) to the grommet base plate (K), see Figure 5.
5. Position pole (A) on the mounting surface and secure using the clamp plate (B2), spring washer (J), M10 washer (I) and knob (B1). See Figure 6.



**STEP 2**

Install Swivel Arm **(D)** to the Pole **(A)**. Fasten the bolt with supplied Allen Key **(M)**. Attach the Wire Clip **(L1, L2)** to the Pole **(A)** and Swivel Arm **(D)**.

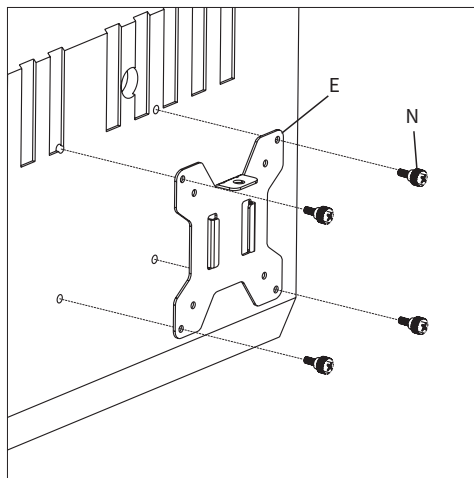


## STEP 3

### OPTION A: Flat Back Monitor

For flat back monitor, install VESA plate (**E**) to monitor using bolts (**N**).

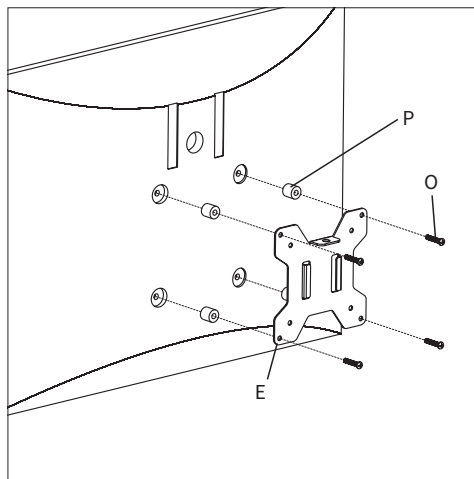
**NOTE:** Hand tighten screws to avoid over tightening.



### OPTION B: Curved Back Monitor

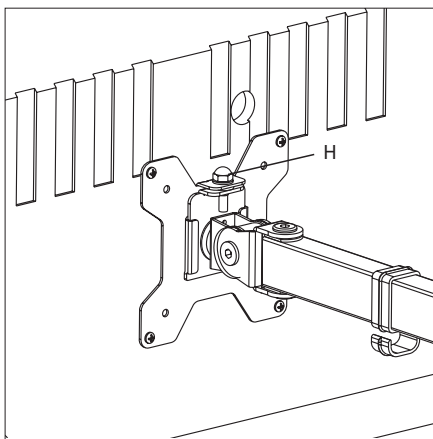
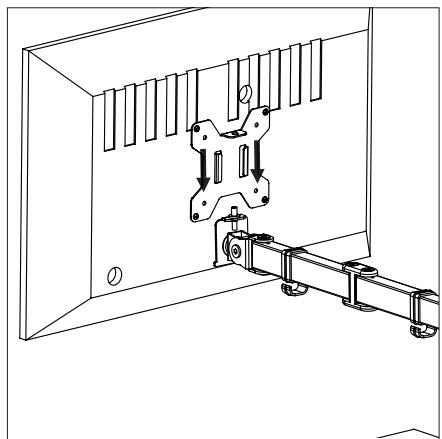
For curved back monitor, install VESA plate (**E**) to monitor using bolts (**O**) and spacers (**P**).

**NOTE:** Gently tighten with a screwdriver.



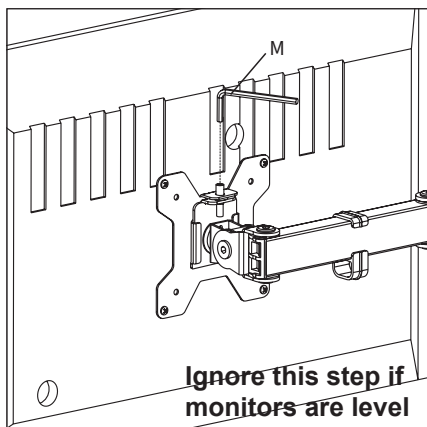
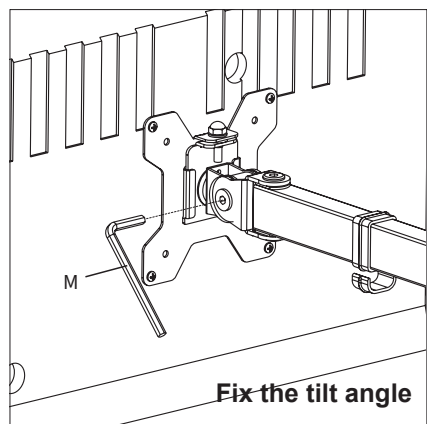
## STEP 4

Slide the monitor onto the head of Swivel Arm (**D**). Install the security Nut (**H**). Make sure the security nut is installed before you rotate the monitor.



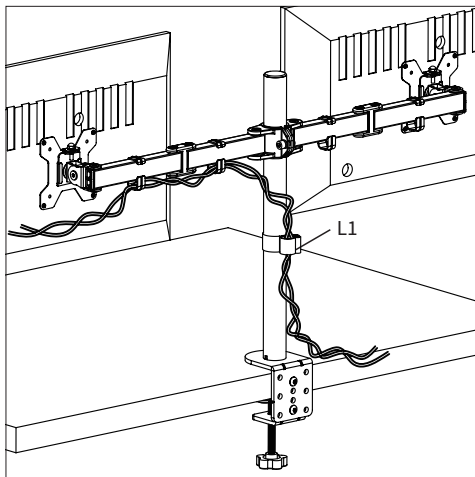
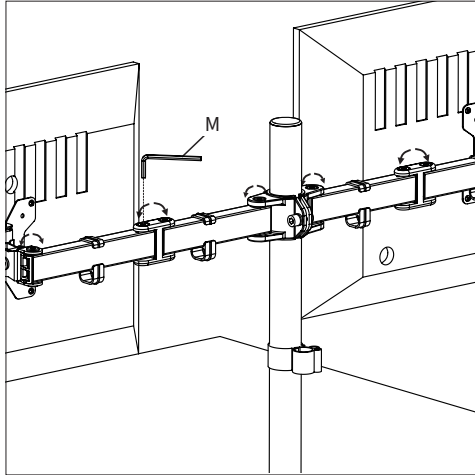
## STEP 5

To level the monitors, remove the nut (**H**) and turn the bolt with the Allen key (**M**) to raise or lower the monitor. Replace nut (**H**) after the adjustment.



## STEP 6

Use the supplied Allen Key (**M**) to make any necessary adjustments to the arm joints. Manage the wires and store the Allen keys (**M**) in Wire Clip (**L1**) for future use.





Open **Monday - Friday 7:00am - 7:00pm** CST,  
our dedicated support team can offer immediate assistance with rapid response times. If any parts are received damaged or defective, please contact us. We are happy to replace parts to ensure you have a fully functioning product.


 [help@vivo-us.com](mailto:help@vivo-us.com)

**AVG. RESPONSE TIME** (*within office hrs*): **1HR 8M**

- 23% within < 15m
- 38% within < 30m
- 61% within < 1hr
- 83% within < 2hr
- 92% within < 3hr

 [www.vivo-us.com](http://www.vivo-us.com)  
*Chat live with an agent!*

**AVG. RESOLUTION TIME** (*within office hrs*): **< 15 M**

 309-278-5303

**AVG. RESOLUTION TIME** (*within office hrs*): **5M 4S**