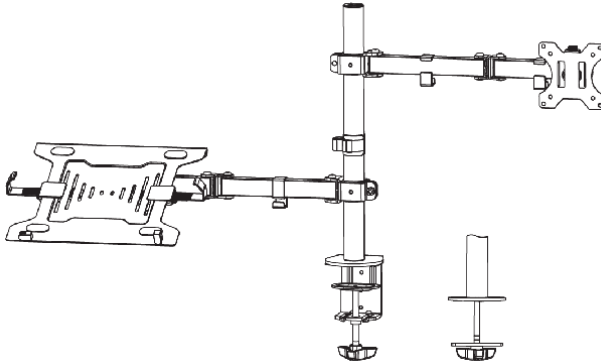


Single Monitor and Laptop Desk Mount

Instruction Manual



SKU: STAND-V102C



Scan the QR code with your mobile device or follow the link for helpful videos and specifications related to this product.

<https://vivo-us.com/products/stand-v102c>

GET IN TOUCH | Monday-Friday from 7:00am-7:00pm CST



help@vivo-us.com



www.vivo-us.com
Chat live with an agent!



309-278-5303

⚠️ WARNING!

If you do not understand these directions, or if you have any doubts about the safety of the installation, please call a qualified technician. Check carefully to make sure there are no missing or defective parts. Improper installation may cause damage or serious injury. Do not use this product for any purpose that is not explicitly specified in this manual. Do not exceed weight capacity. We cannot be liable for damage or injury caused by improper mounting, incorrect assembly or inappropriate use.

⚠️ TIPOVER WARNING

SERIOUS OR FATAL CRUSHING INJURIES CAN OCCUR FROM TIPOVER. TO HELP PREVENT TIPOVER:

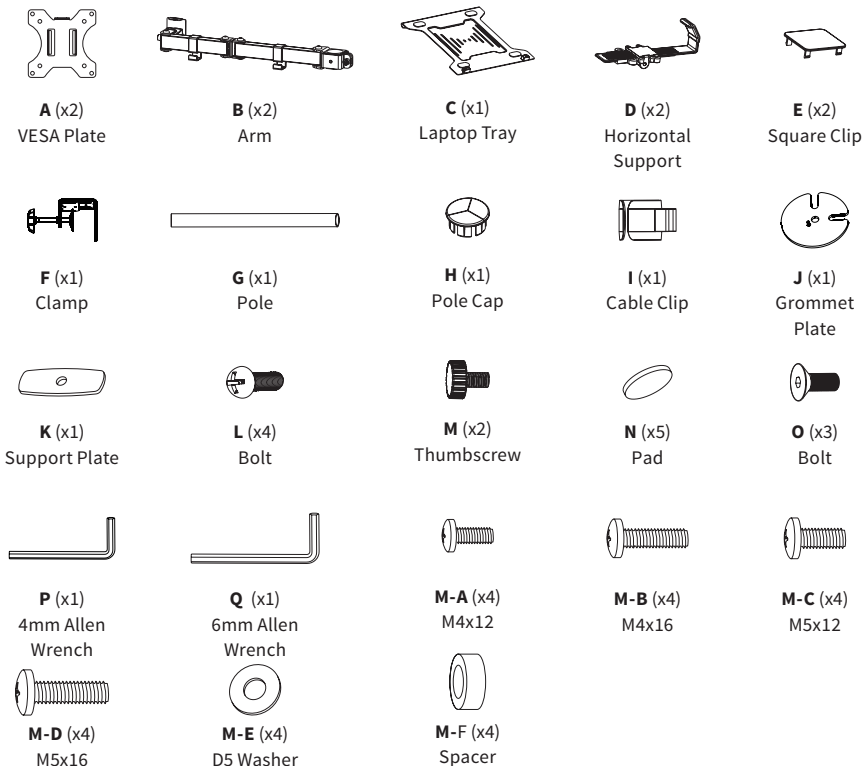
- NEVER ALLOW CHILDREN TO CLIMB, STAND, HANG, OR PLAY ON ANY PART OF MONITOR OR STAND.
- USE TIPOVER RESTRAINT OR ANCHOR STAND TO WALL

USE OF TIPOVER RESTRAINTS MAY ONLY REDUCE, BUT NOT ELIMINATE RISK OF TIPOVER.

⚠️ WARNING: CHOKING HAZARD

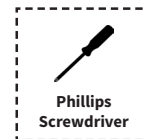
SMALL PARTS - NOT FOR CHILDREN UNDER 3 YEARS. ADULT SUPERVISION IS REQUIRED.

PACKAGE CONTENTS



NOTE: SOME HARDWARE INCLUDED MAY NOT BE USED

TOOLS NEEDED



DO NOT EXCEED WEIGHT CAPACITY.

Failure to do so may result in serious injury.



LAPTOP

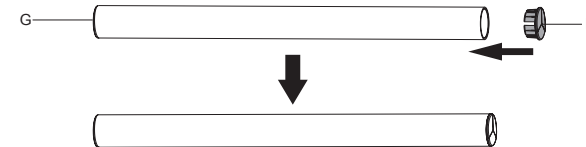


SCREEN

ASSEMBLY STEPS

STEP 1

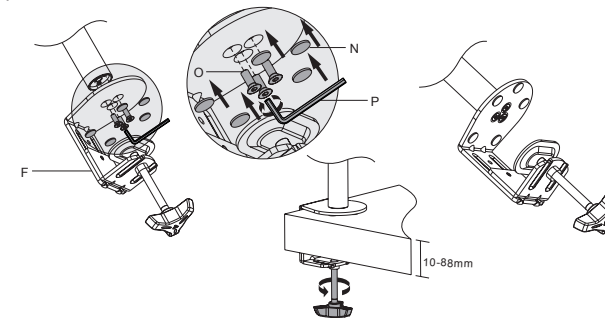
Install pole cap (**H**) to top of pole (**G**).



STEP 2

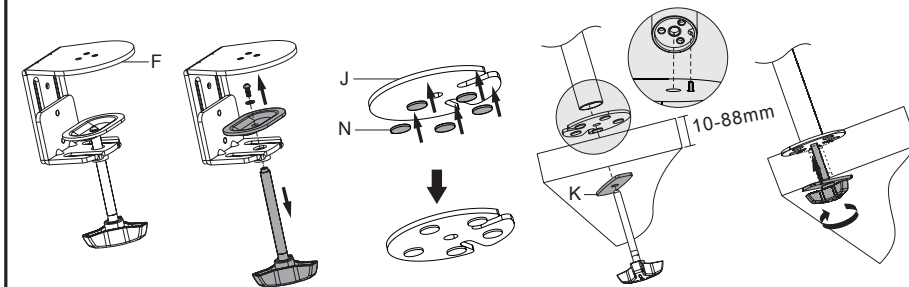
OPTION A: Desk Clamp Installation

Assemble pole (**G**) to clamp base (**F**) with bolts (**O**) using 4mm Allen wrench (**P**). Install pads (**N**), and clamp to desktop.



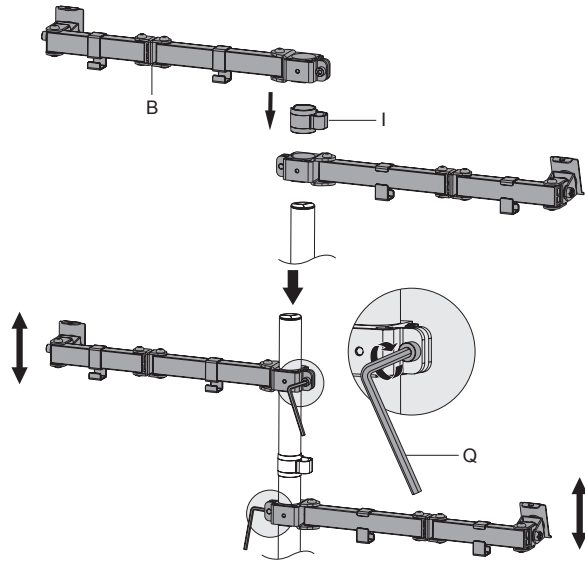
OPTION B: Grommet Base Installation

Remove screw from clamp bolt, and remove clamp bolt from clamp (**F**). Install pads (**N**) to grommet base (**J**). Align pin on top of grommet base (**J**) with the small hole on the bottom of pole (**G**), position over hole in desktop, and install to desktop using clamp bolt and grommet plate (**K**).



STEP 3

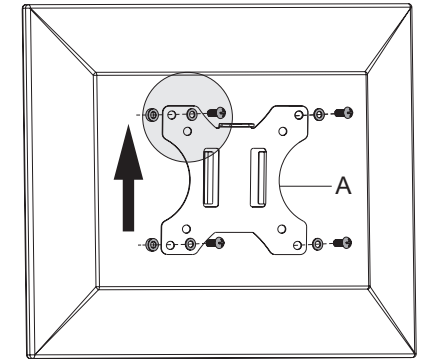
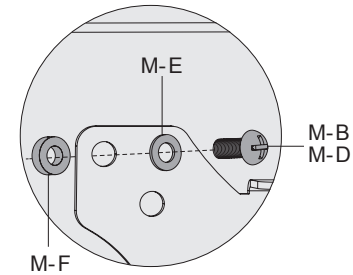
Install swivel arms (B) and cable clip (I) to pole (G). Fasten the bolts with the supplied 6mm Allen wrench (Q).



STEP 4 (Continued)

OPTION B: Curved Back Monitor

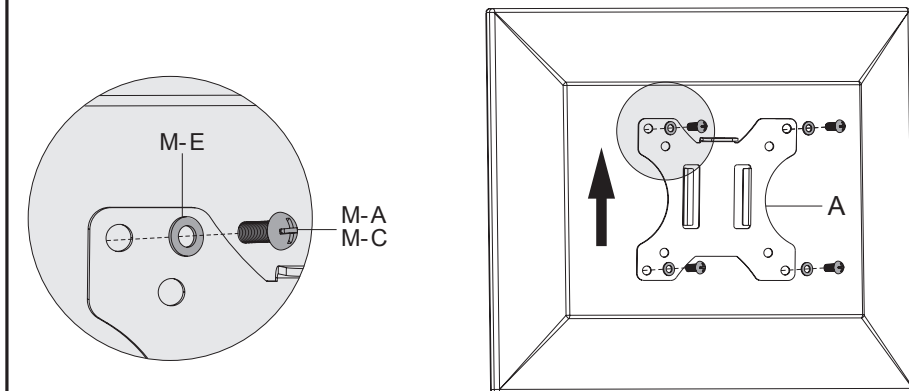
For curved back monitor, install VESA plate (A) to monitor using bolts (M-B) or (M-D), washers (M-E), and spacers (M-F).



STEP 4

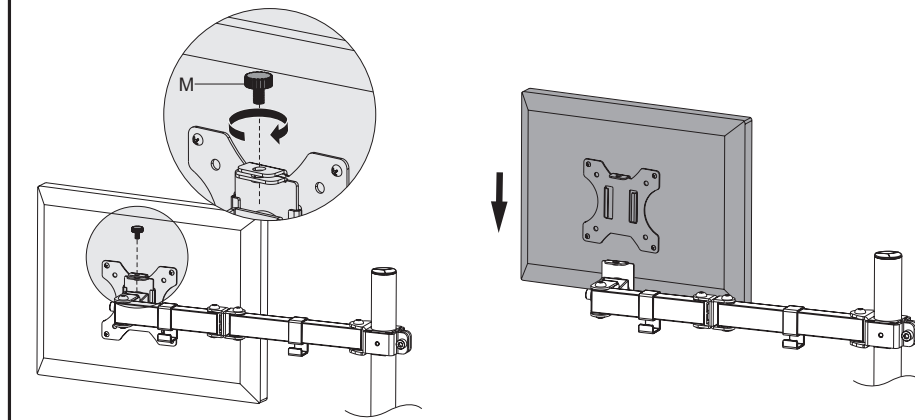
OPTION A: Flat Back Monitor

For flat back monitor, install VESA plate (A) to monitor using bolts (M-A) or (M-C) and washers (M-E).



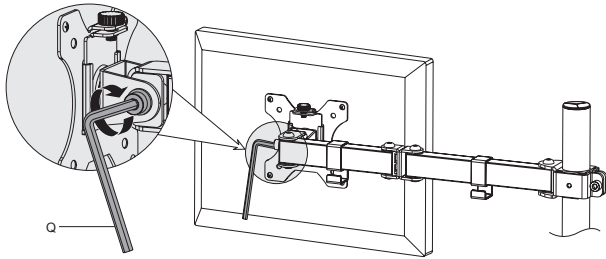
STEP 5

Slide the monitors onto the heads of swivel arms (B). Install thumbscrew (M). Make sure the screw is installed before you rotate the monitor.



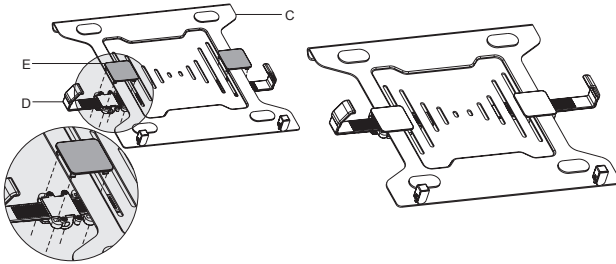
STEP 6

If needed, adjust the bolt on the side of the hinge behind the VESA plate to tighten or loosen the tilt angle.



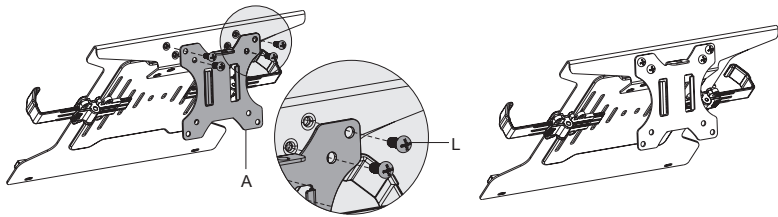
STEP 7

Install horizontal supports (D) to laptop tray (C) using square clips (E).



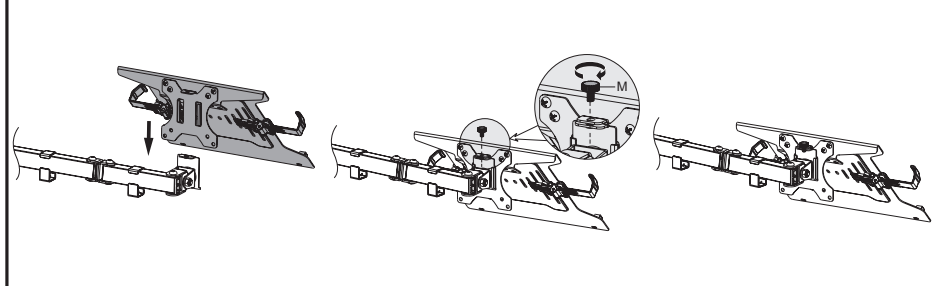
STEP 8

Mount assembled laptop tray to VESA plate (A) using bolts (L).



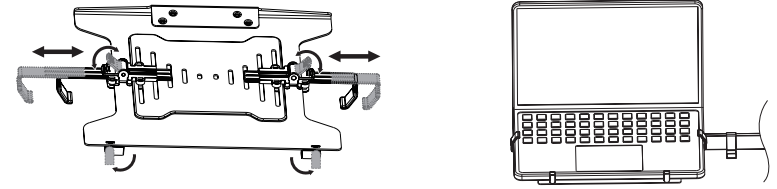
STEP 9

Slide the laptop tray onto the head of swivel arm (B). Install thumb screw (M).



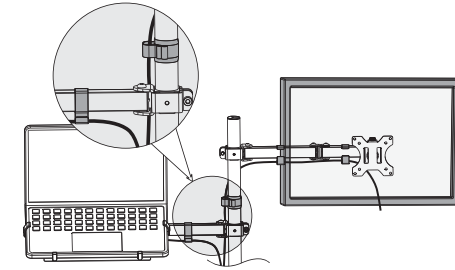
STEP 10

Loosen clips on horizontal supports and adjust the width to fit your laptop.



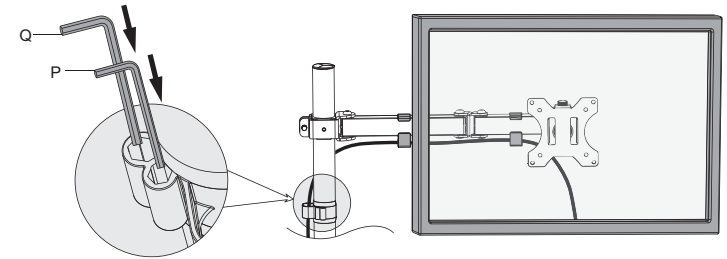
STEP 11

Manage the cables using the installed cable clips.

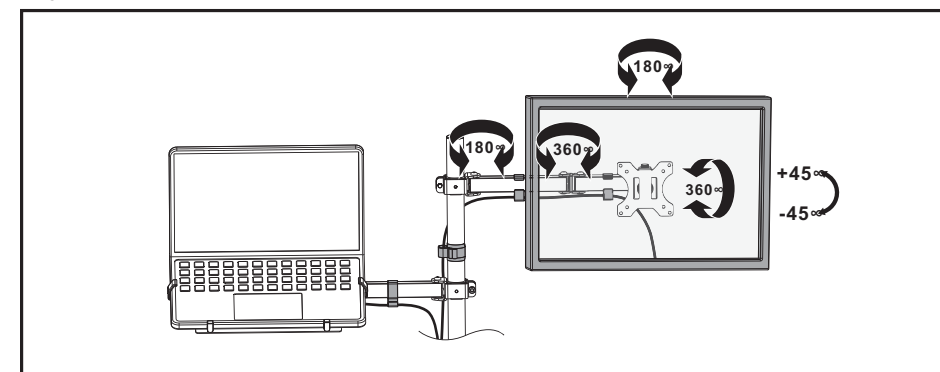


STEP 12

Store the Allen wrenches in cable clip (I) for future use.



Adjust as Desired





Open **Monday - Friday 7:00am - 7:00pm** CST,

our dedicated support team can offer immediate assistance with rapid response times. If any parts are received damaged or defective, please contact us. We are happy to replace parts to ensure you have a fully functioning product.


 help@vivo-us.com

AVG. RESPONSE TIME (*within office hrs*): **1HR 8M**

- 23% within < 15m
- 38% within < 30m
- 61% within < 1hr
- 83% within < 2hr
- 92% within < 3hr

 www.vivo-us.com
Chat live with an agent!

AVG. RESOLUTION TIME (*within office hrs*): **< 15 M**

 309-278-5303

AVG. RESOLUTION TIME (*within office hrs*): **5M 4S**