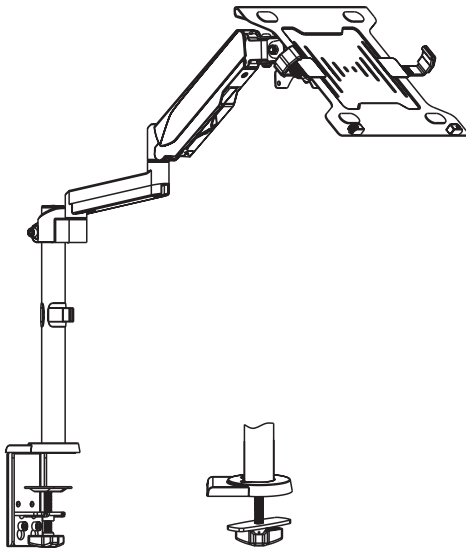




---

## Pneumatic Arm Single Laptop Desk Mount Instruction Manual



**SKU: STAND-V101L**



Scan the QR code with your mobile device or follow the link for helpful videos and specifications related to this product.

<https://vivo-us.com/products/stand-v101l>

---

GET IN TOUCH | Monday-Friday from 7:00am-7:00pm CST



help@vivo-us.com



www.vivo-us.com  
*Chat live with an agent!*



309-278-5303

# **WARNING!**

If you do not understand these directions, or if you have any doubts about the safety of the installation, please call a qualified technician. Check carefully to make sure there are no missing or defective parts. Improper installation may cause damage or serious injury. Do not use this product for any purpose that is not explicitly specified in this manual. Do not exceed weight capacity. We cannot be liable for damage or injury caused by improper mounting, incorrect assembly or inappropriate use.

## **TIPOVER WARNING**

SERIOUS OR FATAL CRUSHING INJURIES CAN OCCUR FROM TIPOVER. TO HELP PREVENT TIPOVER:

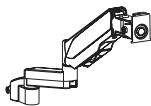
- NEVER ALLOW CHILDREN TO CLIMB, STAND, HANG, OR PLAY ON ANY PART OF MONITOR OR STAND.
- USE TIPOVER RESTRAINT OR ANCHOR STAND TO WALL

**USE OF TIPOVER RESTRAINTS MAY ONLY REDUCE, BUT NOT ELIMINATE RISK OF TIPOVER.**

## **WARNING: CHOKING HAZARD**

SMALL PARTS - NOT FOR CHILDREN UNDER 3 YEARS. ADULT SUPERVISION IS REQUIRED.

## **PACKAGE CONTENTS**



**A (x1)**  
Arm



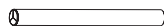
**B (x1)**  
Clamp



**C (x1)**  
Clamp Cover



**D (x1)**  
VESA Plate



**E (x1)**  
Pole



**F (x1)**  
Cable Clip



**G (x1)**  
Thumbscrew



**H (x3)**  
Bolt



**I (x1)**  
Support Plate



**J (x1)**  
Grommet Base



**K (x1)**  
4mm Allen  
Wrench



**L (x1)**  
6mm Allen  
Wrench



**M (x1)**  
Laptop Tray



**N (x2)**  
Laptop Tray  
Arm



**O (x2)**  
Tray Arm Clip



**P (x4)**  
Bolt



**M-A (x4)**  
M4x12



**M-B (x4)**  
M4x16



**M-C (x4)**  
M5x12



**M-D (x4)**  
M5x16



**M-E (x4)**  
D5 Washer



**M-F (x4)**  
Spacer

**NOTE:** SOME HARDWARE INCLUDED MAY NOT BE USED

## TOOLS NEEDED



DO NOT EXCEED WEIGHT CAPACITY.

Failure to do so may result in serious injury.

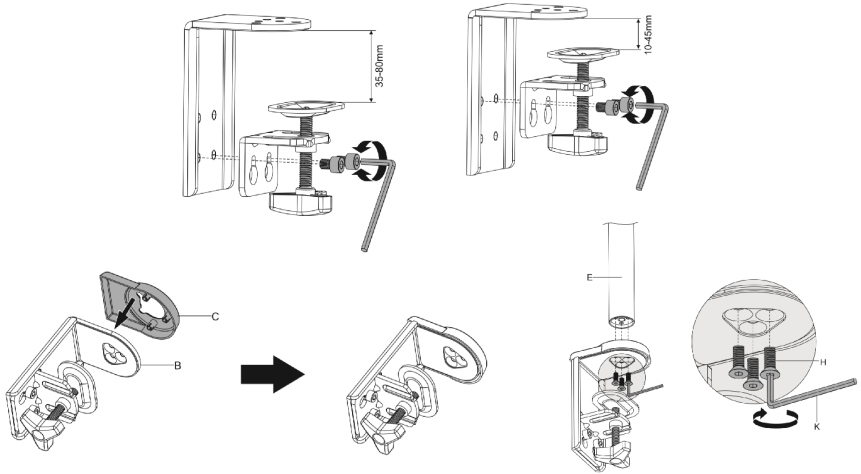


## ASSEMBLY STEPS

### STEP 1

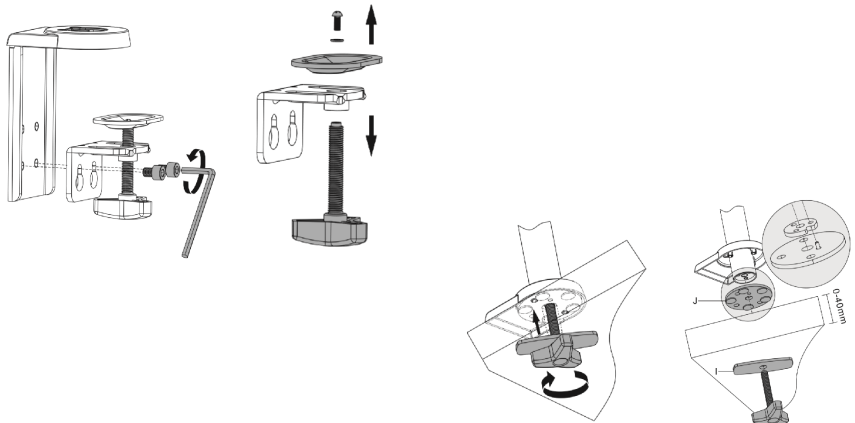
#### OPTION A: Clamp Installation

Adjust Clamp (B) height according to thickness of desktop. Attach Clamp Cover (C) to Clamp (B). Secure Pole (E) to Clamp (B) using Bolts (H). Tighten using 4mm Allen Wrench (K).



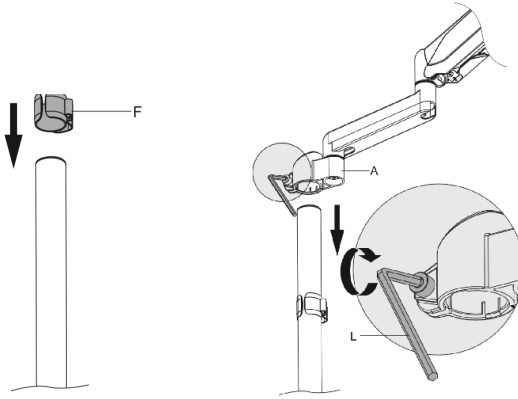
#### OPTION B: Grommet Base Installation

For grommet hole attachment, disassemble Clamp (B) using 6mm Allen Wrench (L) and a Phillips screwdriver. Attach Base (J) and Pole (E) to 3/8" (10mm) grommet hole in desktop using bolt from Clamp (B) with Support Plate (I).



## STEP 2

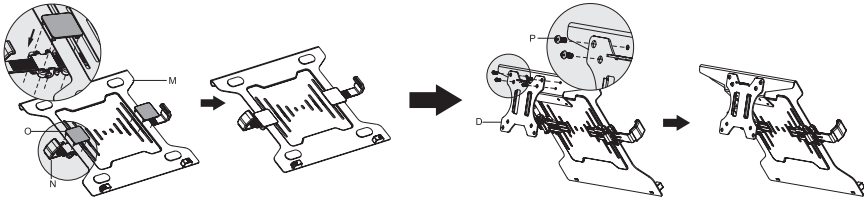
Slide Cable Clip (F) over top of Pole (E). Slide monitor Arm (A) over pole and tighten bolt using 6mm Allen Wrench (L).



## STEP 3

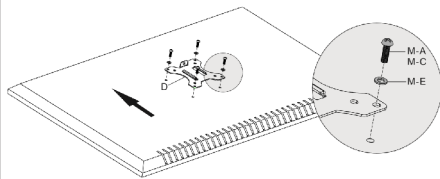
### OPTION A: Laptop Tray

Install Laptop Tray Arm (N) to the Laptop Tray (M) using the Tray Arm Clip (O). Then secure VESA Plate (D) to Laptop Tray (M) using Bolts (P).



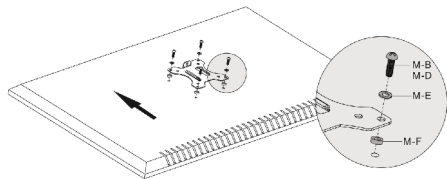
### OPTION B: Flat Back Monitor

Attach VESA plate (D) to the back of the monitor using bolts (M-A, M-C) and washers (M-E).



### OPTION C: Curved Back Monitor

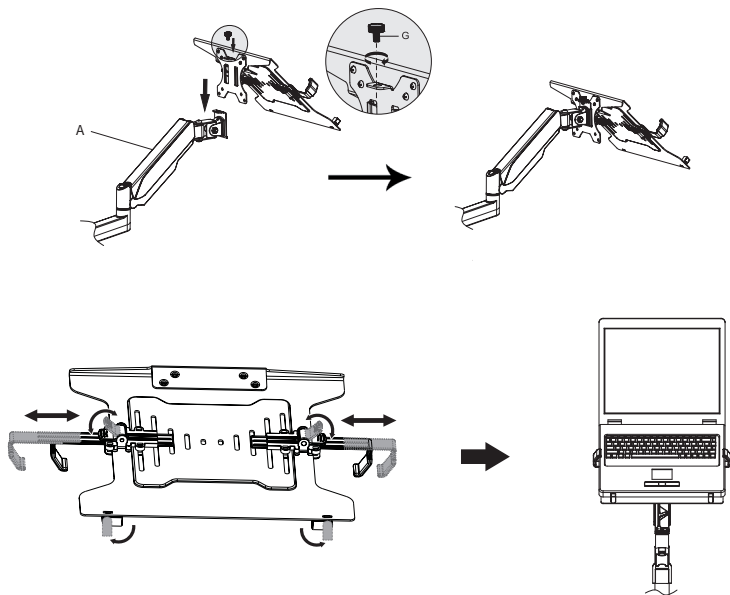
Attach VESA plate (D) to the back of the monitor using bolts (M-B, M-D), washers (M-E), and spacers (M-F).



## STEP 4

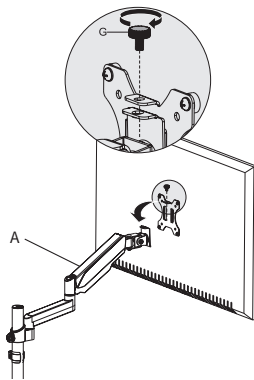
### OPTION A: Laptop Tray

Slide VESA Plate (D) with Laptop Tray (M) over Arm (A). Secure with Thumbscrew (G). Adjust Laptop Tray Arms (N) as shown below.



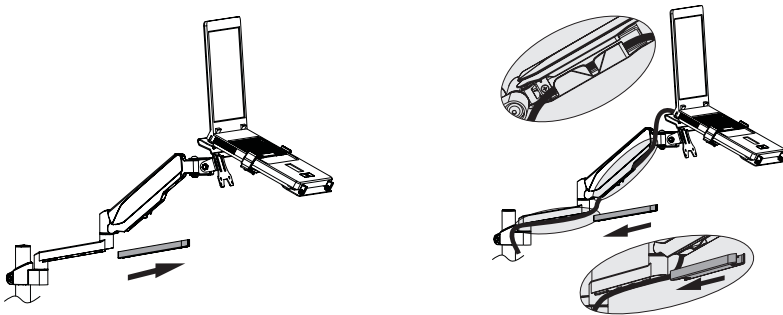
### OPTION B: Monitor

Slide VESA plate (D) with monitor over bracket on Arm (A). Secure using the Thumbscrew (G).



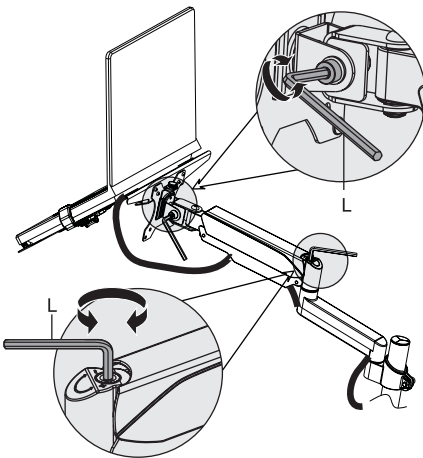
### STEP 5

Slide off the lower cable management bracket and set it aside. Install cables in cable management slots as shown. Then reinstall the lower cable management bracket to secure cables.



### STEP 6

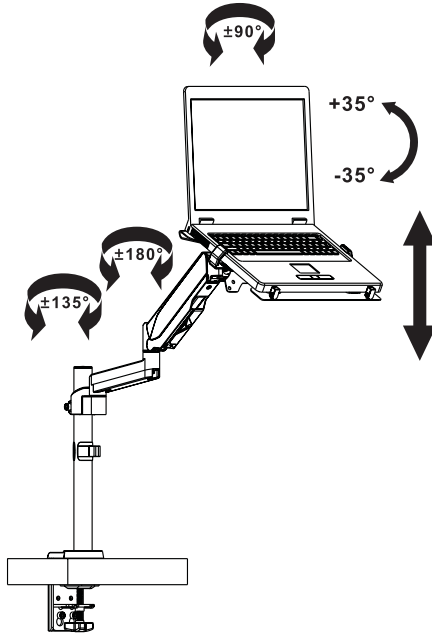
Adjust Arm (A) tension as necessary using the 6mm Allen Wrench (L).



# STEP 7

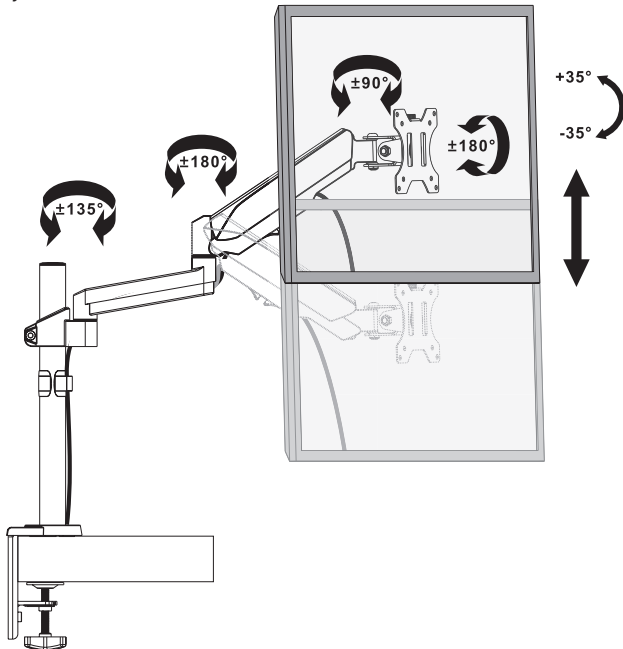
## OPTION A: Laptop Tray

Adjust as necessary.



## OPTION B: Monitor

Adjust as necessary.





Open **Monday - Friday 7:00am - 7:00pm** CST,

our dedicated support team can offer immediate assistance with rapid response times. If any parts are received damaged or defective, please contact us. We are happy to replace parts to ensure you have a fully functioning product.


 [help@vivo-us.com](mailto:help@vivo-us.com)

**AVG. RESPONSE TIME** (*within office hrs*): **1HR 8M**

- 23% within < 15m
- 38% within < 30m
- 61% within < 1hr
- 83% within < 2hr
- 92% within < 3hr

 [www.vivo-us.com](http://www.vivo-us.com)  
*Chat live with an agent!*

**AVG. RESOLUTION TIME** (*within office hrs*): **< 15 M**

 309-278-5303

**AVG. RESOLUTION TIME** (*within office hrs*): **5M 4S**