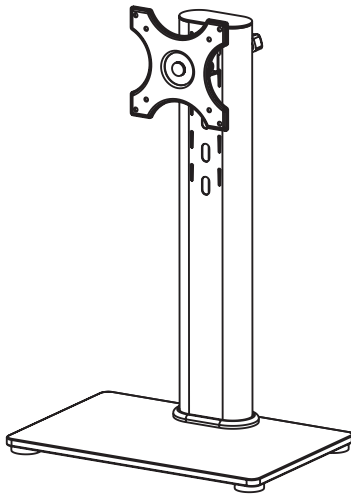




Single Monitor and TV Desk Stand

Instruction Manual



SKU: STAND-V101J



Scan the QR code with your mobile device or follow the link for helpful videos and specifications related to this product.

<https://vivo-us.com/products/stand-v101j>

GET IN TOUCH | Monday-Friday from 7:00am-7:00pm CST



help@vivo-us.com



www.vivo-us.com
Chat live with an agent!



309-278-5303

WARNING!

If you do not understand these directions, or if you have any doubts about the safety of the installation, please call a qualified technician. Check carefully to make sure there are no missing or defective parts. Improper installation may cause damage or serious injury. Do not use this product for any purpose that is not explicitly specified in this manual. Do not exceed weight capacity. We cannot be liable for damage or injury caused by improper mounting, incorrect assembly or inappropriate use.

TIPOVER WARNING

SERIOUS OR FATAL CRUSHING INJURIES CAN OCCUR FROM TIPOVER. TO HELP PREVENT TIPOVER:

- NEVER ALLOW CHILDREN TO CLIMB, STAND, HANG, OR PLAY ON ANY PART OF MONITOR OR STAND.
- USE TIPOVER RESTRAINT OR ANCHOR STAND TO WALL

USE OF TIPOVER RESTRAINTS MAY ONLY REDUCE, BUT NOT ELIMINATE RISK OF TIPOVER.

WARNING: CHOKING HAZARD

SMALL PARTS - NOT FOR CHILDREN UNDER 3 YEARS. ADULT SUPERVISION IS REQUIRED.

PACKAGE CONTENTS



A (x1)
VESA Bracket



B (x1)
Tempered Glass
Base



C (x1)
Support
Column



D (x1)
Knob



E (x1)
Plastic Pad



F (x1)
Metal Pad



G (x3)
M8x22 Bolt



H (x4)
Rubber Foot



I (x2)
Wire Clip



J (x4)
M4x12
Thumbscrew



K (x4)
M4x30



L (x4)
M4 Spacer



M (x1)
Allen Wrench



N (x1)
Wrench



O (x1)
M6 Washer

NOTE: SOME HARDWARE INCLUDED MAY NOT BE USED

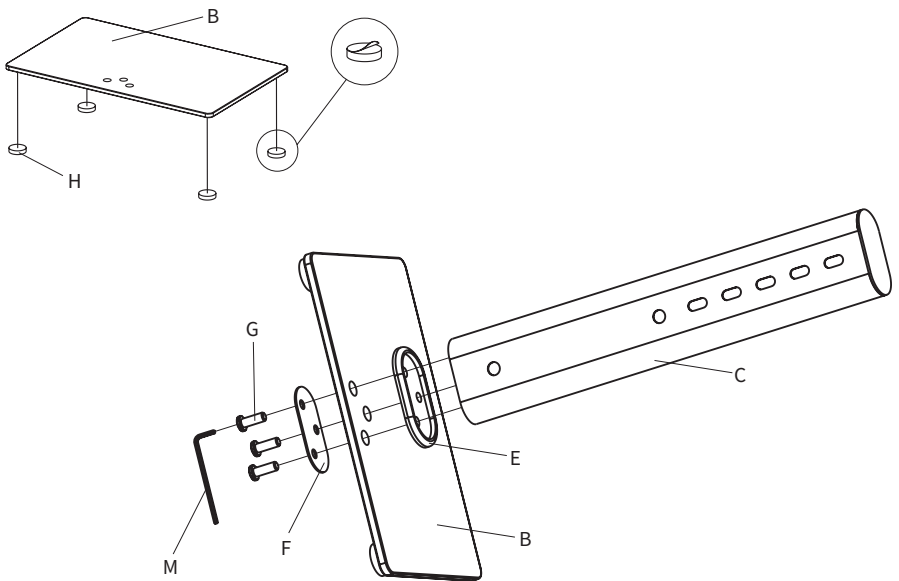
DO NOT EXCEED WEIGHT CAPACITY.
Failure to do so may result in serious injury.

17.6lbs
(8 kg)

ASSEMBLY STEPS

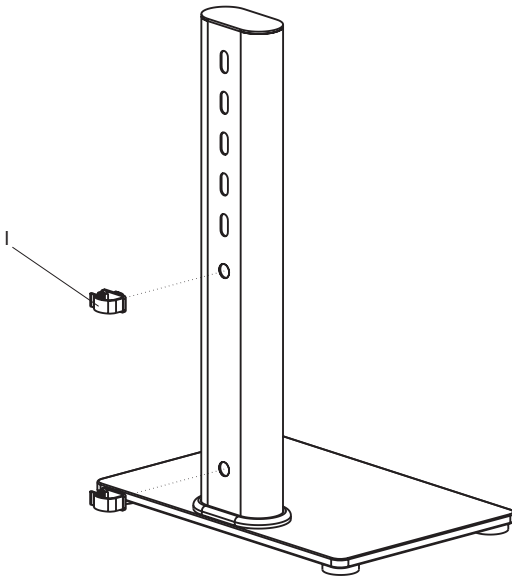
STEP 1

Stick the rubber feet (**H**) to the bottom (*painted side*) of the tempered glass base (**B**). Place the support column (**C**) and plastic pad (**E**) on the top of the base, and secure using the M8x22 bolts (**G**) and metal pad (**F**) underneath. Tighten using the Allen wrench (**M**).



STEP 2

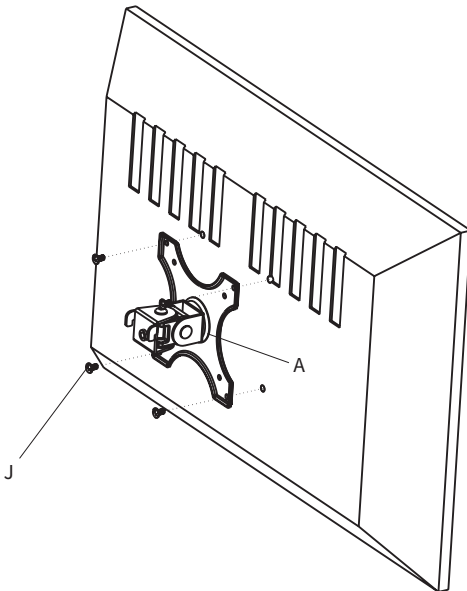
Attach the wire clips (**I**) to the back of the support column.



STEP 3

OPTION A: Flat Back Monitor

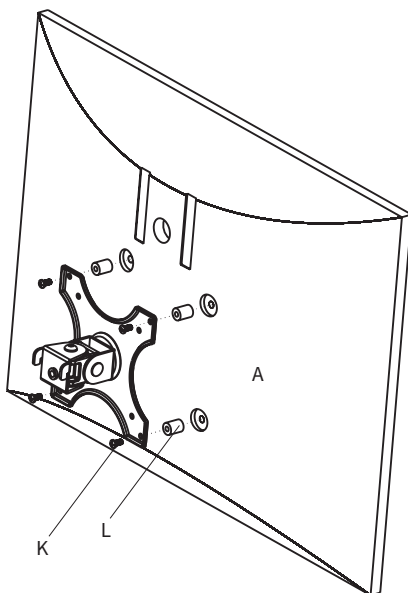
Mount the VESA bracket (**A**) to the back of the monitor using M4x12 thumbscrews (**J**), making sure the rear hooks are facing down.



STEP 3 (Continued)

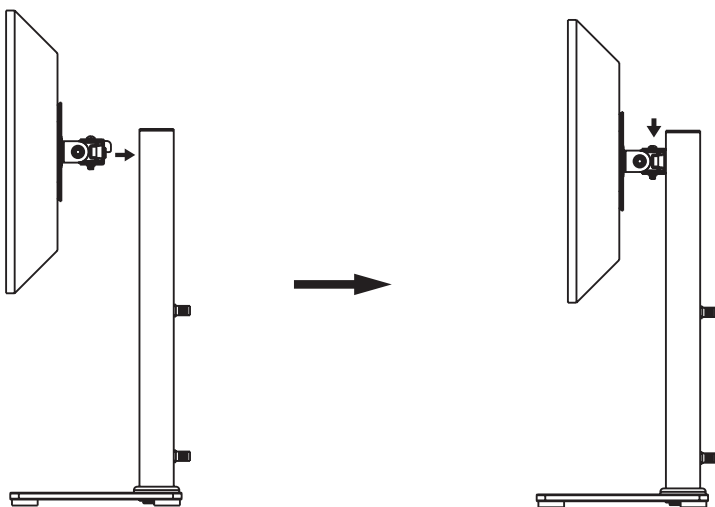
OPTION B: Curved Back Monitor

Mount the VESA bracket (**A**) to the back of the monitor using M4x30 screws (**K**) with spacers (**L**), making sure the rear hooks are facing down.



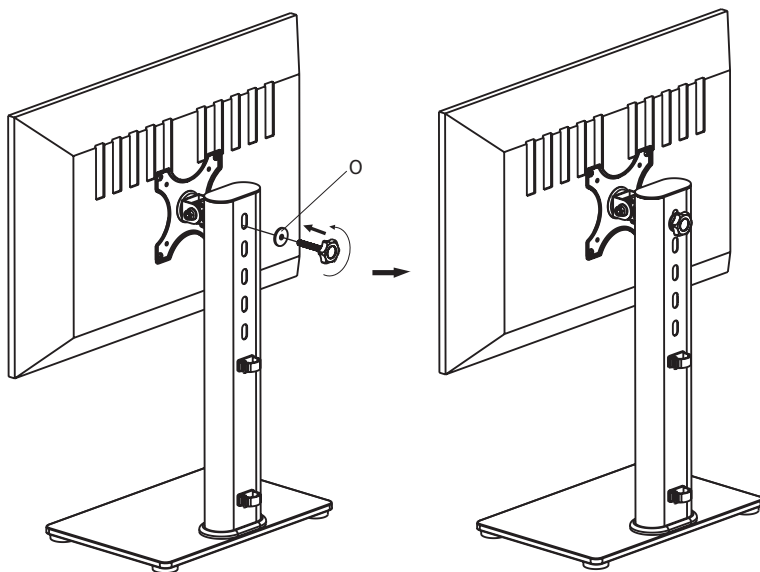
STEP 4

Attach the monitor with VESA bracket to the support column by placing the rear hooks into slots at the desired height.



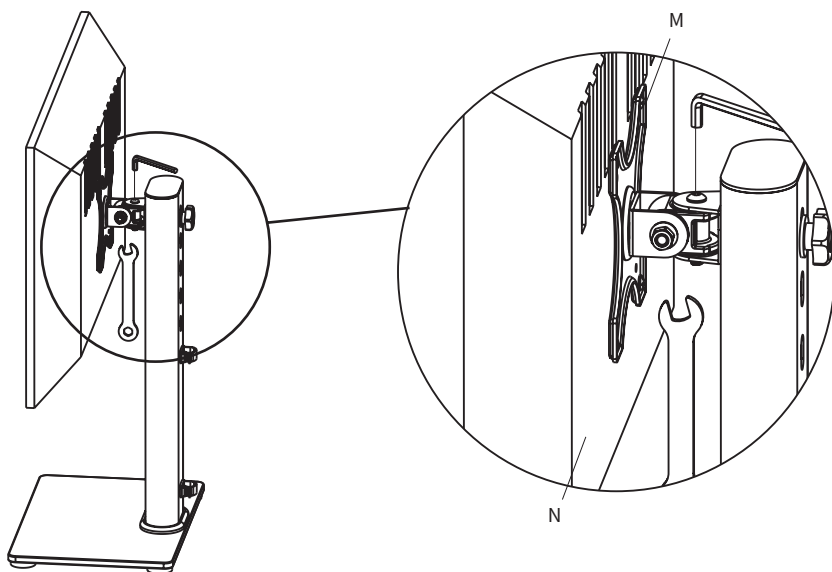
STEP 5

Insert the knob **(D)** with M6 Washer **(O)** through the back of the support column to secure the VESA bracket.



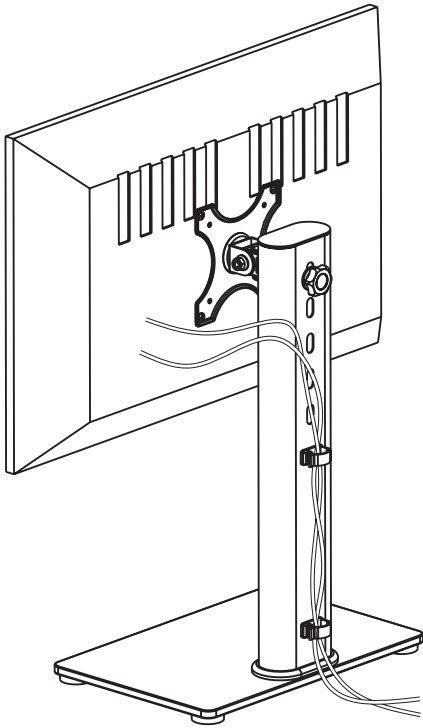
STEP 6

Adjust the tilt and swivel joints using the wrench **(N)** and Allen wrench **(M)**.



STEP 7

Organize cables in back using the wire clips (I).





Open **Monday - Friday 7:00am - 7:00pm** CST,
our dedicated support team can offer immediate assistance with rapid response times. If any parts are received damaged or defective, please contact us. We are happy to replace parts to ensure you have a fully functioning product.


 help@vivo-us.com

AVG. RESPONSE TIME (*within office hrs*): **1HR 8M**

- 23% within < 15m
- 38% within < 30m
- 61% within < 1hr
- 83% within < 2hr
- 92% within < 3hr

 www.vivo-us.com
Chat live with an agent!

AVG. RESOLUTION TIME (*within office hrs*): **< 15 M**

 309-278-5303

AVG. RESOLUTION TIME (*within office hrs*): **5M 4S**