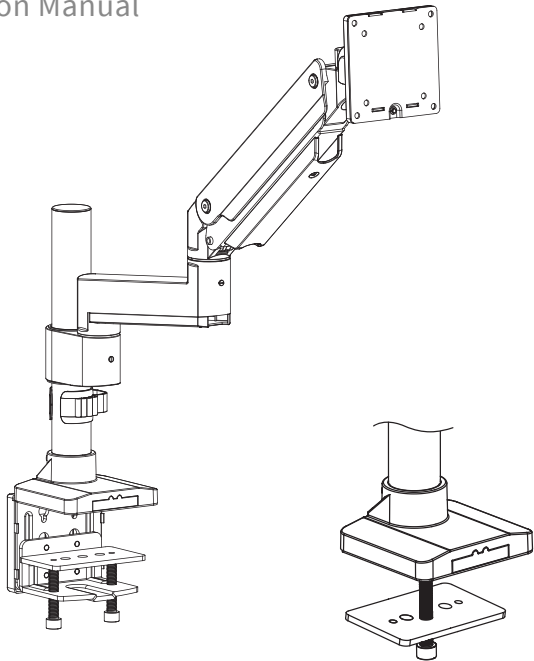


Pneumatic Arm Single Monitor Desk Mount Instruction Manual



SKU: STAND-V101GT



Scan the QR code with your mobile device or follow the link for helpful videos and specifications related to this product.

<https://vivo-us.com/products/stand-v101gt>

GET IN TOUCH | Monday-Friday from 7:00am-7:00pm CST



help@vivo-us.com



www.vivo-us.com
Chat live with an agent!



309-278-5303

WARNING!

If you do not understand these directions, or if you have any doubts about the safety of the installation, please call a qualified technician. Check carefully to make sure there are no missing or defective parts. Improper installation may cause damage or serious injury. Do not use this product for any purpose that is not explicitly specified in this manual. Do not exceed weight capacity. We cannot be liable for damage or injury caused by improper mounting, incorrect assembly or inappropriate use.

TIPOVER WARNING

SERIOUS OR FATAL CRUSHING INJURIES CAN OCCUR FROM TIPOVER. TO HELP PREVENT TIPOVER:

- NEVER ALLOW CHILDREN TO CLIMB, STAND, HANG, OR PLAY ON ANY PART OF MONITOR OR STAND.
- USE TIPOVER RESTRAINT OR ANCHOR STAND TO WALL.

USE OF TIPOVER RESTRAINTS MAY ONLY REDUCE, BUT NOT ELIMINATE RISK OF TIPOVER.

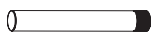
WARNING: CHOKING HAZARD

SMALL PARTS - NOT FOR CHILDREN UNDER 3 YEARS. ADULT SUPERVISION IS REQUIRED.

PACKAGE CONTENTS



A (x1)
Base



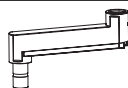
B (x1)
Pole



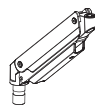
C (x1)
Cable Clip



D (x1)
Arm Support



E (x1)
Lower Arm



F (x1)
Gas Spring
Arm



G (x1)
VESA Plate



H (x1)
Clamp Plate



I (x1)
Grommet
Plate



J (x1)
Soft Pad



K (x1)
Cover



L (x1)
Clamp Brace



M (x1)
Clamp



S-A (x4)
M6x12mm
Screw



S-B (x1)
Spacer



S-C (x1)
M8x25mm
Screw



M-A (x4)
M4x12mm
Screw



M-B (x4)
M5x12mm
Screw



M-C (x4)
M5 Washer



T-A (x1)
3mm Allen
Wrench



T-B (x1)
4mm Allen
Wrench



T-C (x1)
6mm Allen
Wrench

TOOLS NEEDED



NOTE: SOME HARDWARE INCLUDED MAY NOT BE USED

DO NOT EXCEED WEIGHT CAPACITY.

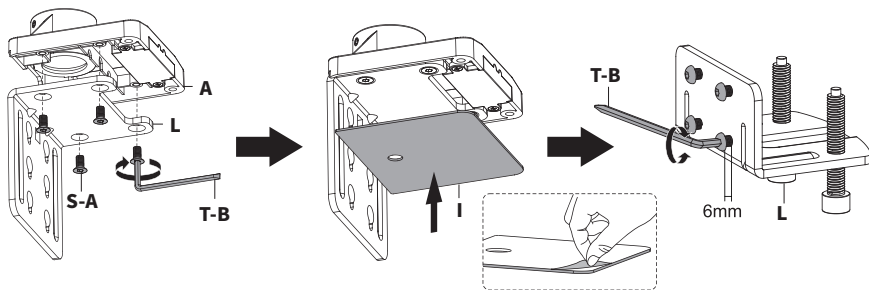
Failure to do so may result in serious injury.



ASSEMBLY STEPS

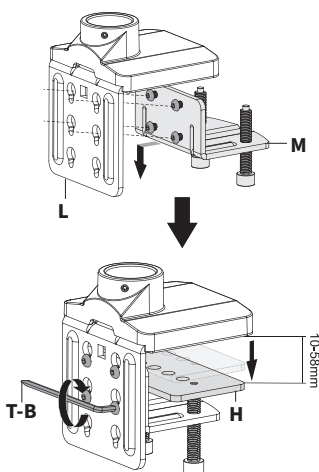
STEP 1 - Option A - Clamp

Connect Clamp Brace (**L**) to Base (**A**) using M6x12mm Screws (**S-A**) and 4mm Allen Wrench (**T-B**). Remove protective film from Soft Pad (**J**) and apply to the underside of Clamp Brace (**L**). Loosen the screws on the back of Lower Clamp (**M**) using 4mm Allen Wrench (**T-B**), leaving 6mm of thread exposed.



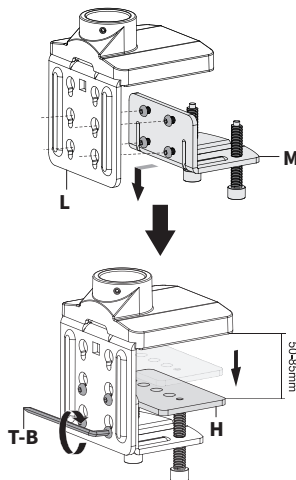
Desk Thickness 0.4" to 2.25" (10mm-58mm)

Hang Clamp (**M**) into the top 4 slots on Clamp Brace (**L**). Tighten rear screws with 4mm Allen Wrench (**T-B**). Place Clamp Plate (**H**) on top of the clamp bolts on Clamp (**M**).

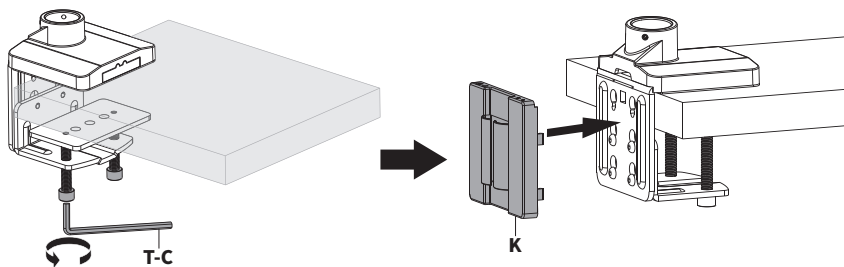


Desk Thickness 2" to 3.35" (50mm-85mm)

Hang Clamp (**M**) into the lower 4 slots on Clamp Brace (**L**). Tighten rear screws with 4mm Allen Wrench (**T-B**). Place Clamp Plate (**H**) on top of the clamp bolts on Clamp (**M**).

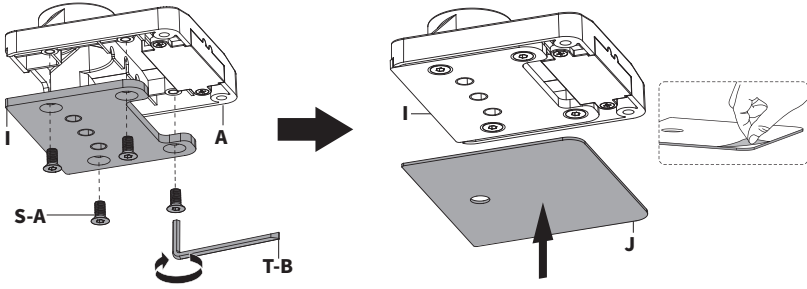


Install to desk and tighten clamp bolt using 6mm Allen Wrench (**T-C**). Snap Cover (**K**) onto the back of assembled base.



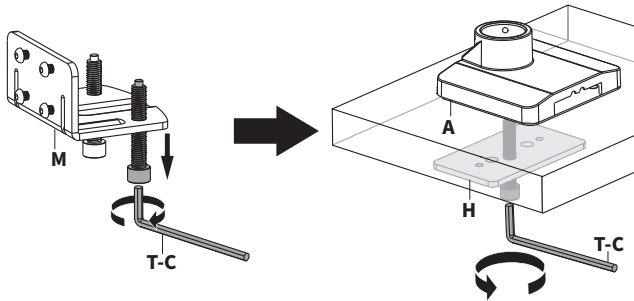
STEP 1 - Option B - Grommet

Attach Grommet Plate (I) to Base (A) using M6x12mm Screws (S-A) and 4mm Allen Wrench (T-B). Remove protective film from Soft Pad (J) and apply to the underside of Grommet Plate (I).



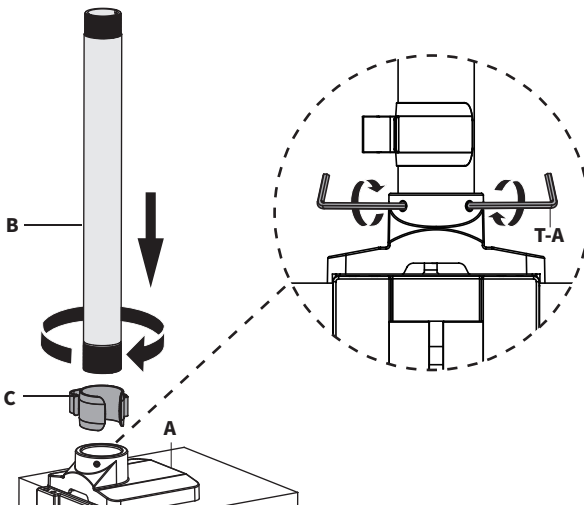
Position Base (A) over grommet hole in desk. If there is no existing grommet hole, drill a 0.375" (10mm) hole through the desktop in the desired mounting position.

Remove a single clamp bolt from Clamp (M) using 6mm Allen Wrench (T-C). Insert clamp bolt with Clamp Plate (H) through the underside of the desk and secure to Base (A) using 6mm Allen Wrench (T-C).



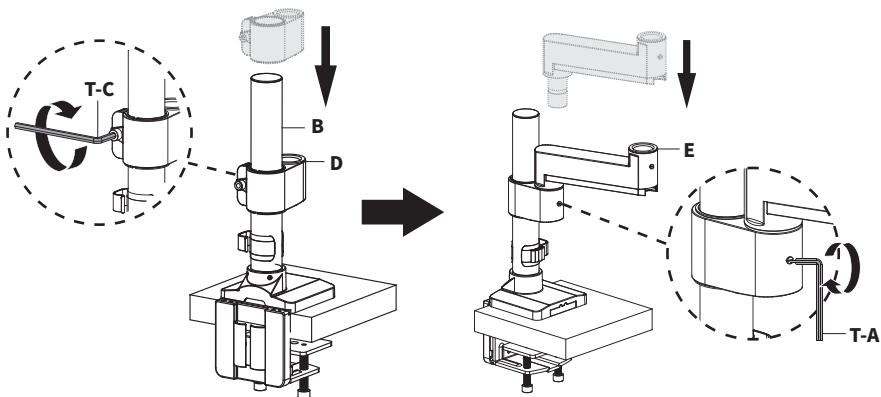
STEP 2

Screw Pole (B) into Base (A), and tighten set screws using 3mm Allen Wrench (T-A). Slide Pole Cable Clip (C) onto Pole (B).



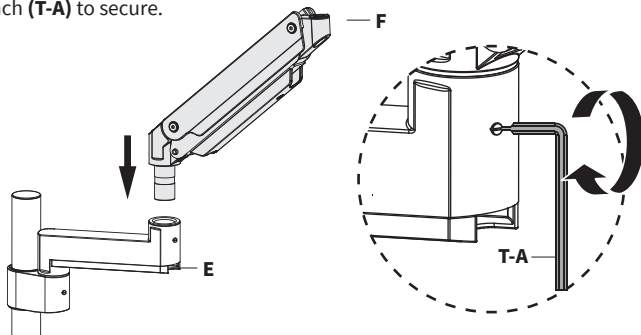
STEP 3

Slide Arm Support (D) onto Pole (B) and tighten using 6mm Allen Wrench (T-C). Place Lower Arm (E) on top of Arm Support (D). Tighten set screw using 3mm Allen Wrench (T-A) to secure in place.

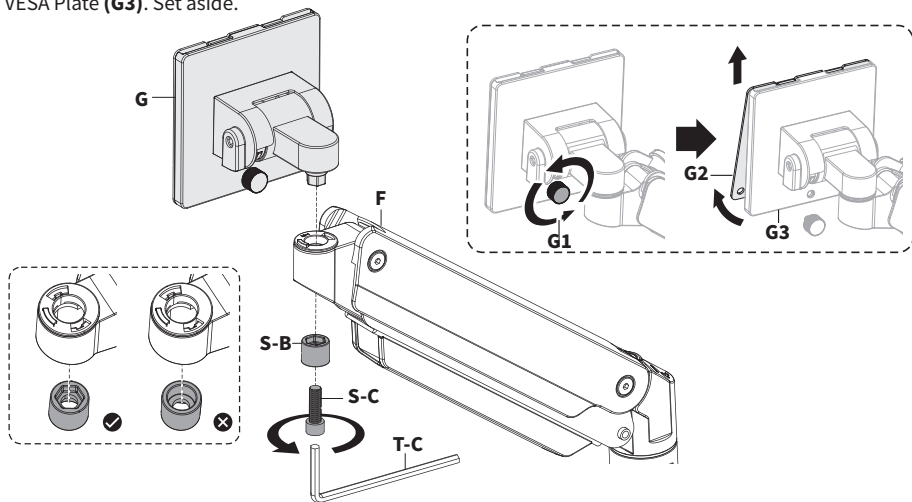


STEP 4

Place Gas Spring Arm (F) on top of Lower Arm (E), and tighten set screw on Lower Arm (E) using 3mm Allen Wrench (T-A) to secure.

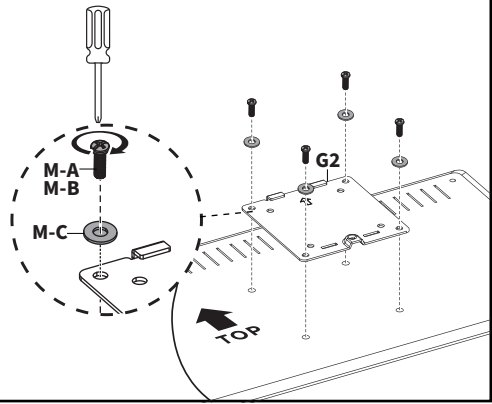
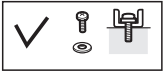
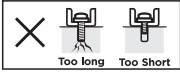


Connect VESA Plate (G) to Gas Spring Arm (F) using Spacer (S-B), M8x25mm Screw (S-C), and 6mm Allen Wrench (T-C). Ensure that hexagon side of spacer is facing upward towards VESA Plate (G). Remove Thumbscrew (G1) from back of VESA Plate (D). Separate Front VESA Plate (G2) from Back VESA Plate (G3). Set aside.



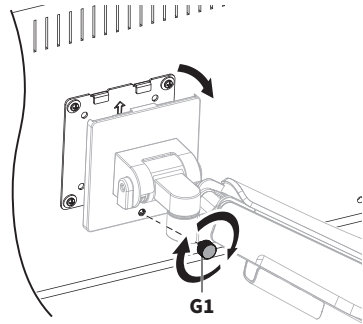
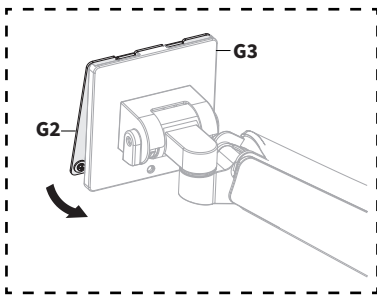
STEP 5

Connect Front VESA Plate (**G2**) to back of Monitor using appropriate Screws (**M-A, M-B**), M5 Washers (**M-C**), and a Phillips Screwdriver.



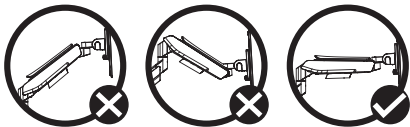
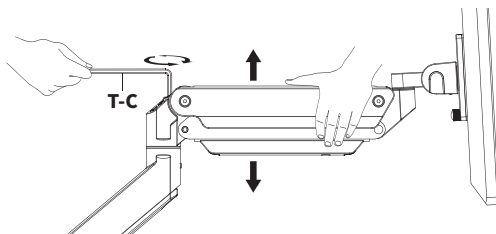
STEP 6

To mount the monitor, begin by lining up the tabs on Front VESA Plate (**G2**) with the slots on Back VESA Plate (**G3**). Insert tabs into slots and re-install Thumbscrew (**G1**) into Back VESA Plate (**G3**) to secure.



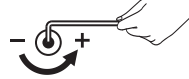
STEP 7

While holding the arm in the horizontal position, adjust the gas spring tension using 6mm Allen Wrench (**T-C**).

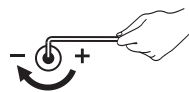


CAUTION - To avoid damage to the monitor and mount, always keep the arm in a horizontal position while making adjustments.

How to adjust if...



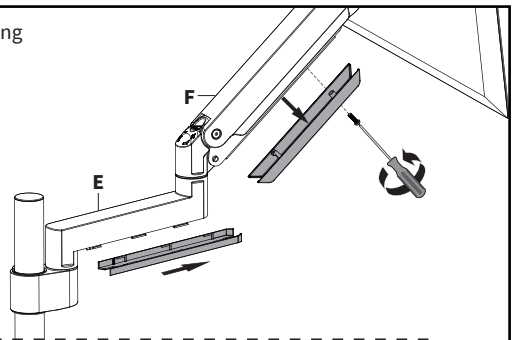
ARM DROPS - If the arm drops, turn the adjustment screw *counter clockwise* until it holds the monitor in a horizontal position.



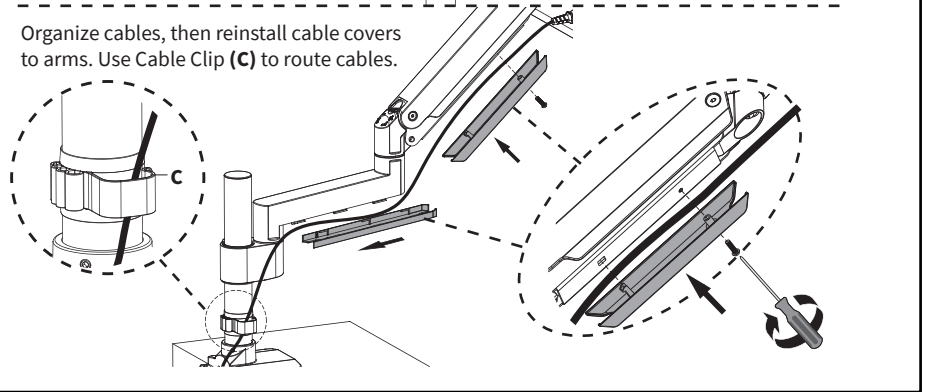
ARM RISES - If the arm rises up, turn the adjustment screw *lockwise* until it holds the monitor in a horizontal position.

STEP 8

Remove cable cover on Gas Spring Arm (**F**) using a Phillips screwdriver. Slide cable cover on Lower Arm (**E**) forward to remove.

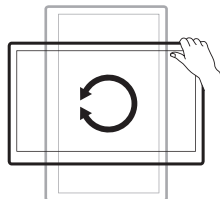
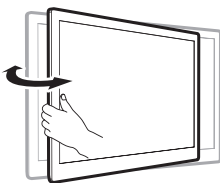
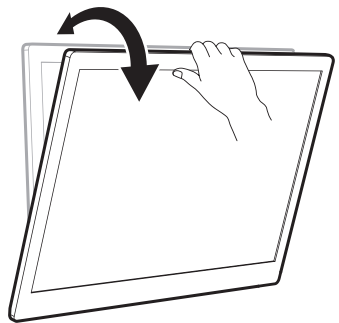
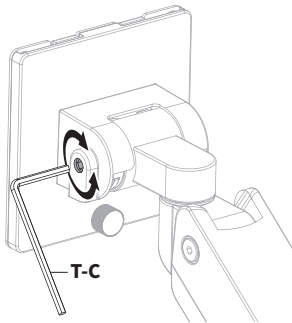


Organize cables, then reinstall cable covers to arms. Use Cable Clip (**C**) to route cables.

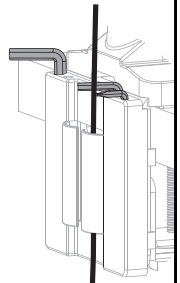


Adjust as Desired

To adjust tilt tension, use 6mm Allen Wrench (**T-C**).



Store Allen Wrenches (**T-A, T-B, T-C**) in Cover (**K**).



Love your new VIVO setup and want to share?
Tag us in your photo! **@vivo_us**

LAST UPDATED: 04/06/2023
REV2



Open **Monday - Friday 7:00am - 7:00pm** CST,
our dedicated support team can offer immediate assistance with rapid response times. If any parts are received damaged or defective, please contact us. We are happy to replace parts to ensure you have a fully functioning product.



309-278-5303

AVG. RESOLUTION TIME *(within office hrs):* **5M 4S**



www.vivo-us.com
Chat live with an agent!

AVG. RESOLUTION TIME *(within office hrs):* **< 15 M**



help@vivo-us.com

AVG. RESPONSE TIME *(within office hrs):* **1HR 8M**

- 23% within < 15m
- 38% within < 30m
- 61% within < 1hr
- 83% within < 2hr
- 92% within < 3hr

FOR MORE VIVO PRODUCTS, CHECK OUT OUR WEBSITE AT: www.vivo-us.com