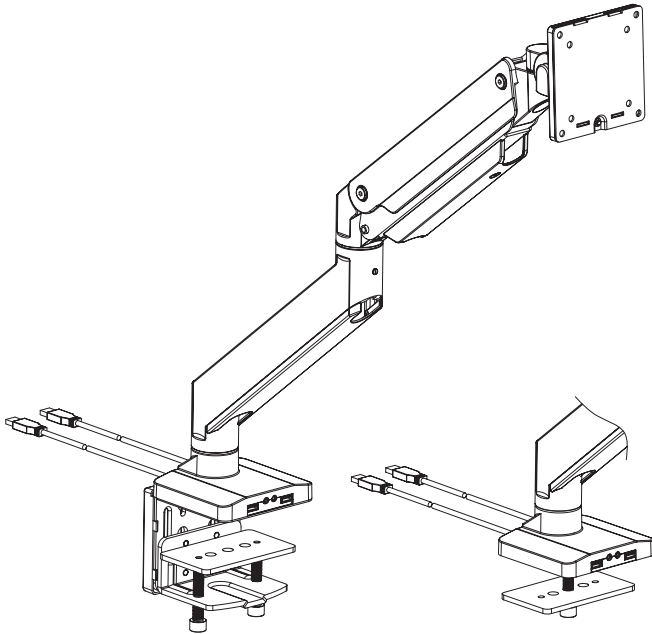




Pneumatic Arm Single Monitor Desk Mount Instruction Manual



SKU: STAND-V101G1U



Scan the QR code with your mobile device or follow the link for helpful videos and specifications related to this product.

<https://vivo-us.com/products/stand-v101g1u>

GET IN TOUCH | Monday-Friday from 7:00am-7:00pm CST



help@vivo-us.com



www.vivo-us.com
Chat live with an agent!



309-278-5303

WARNING!

If you do not understand these directions, or if you have any doubts about the safety of the installation, please call a qualified technician. Check carefully to make sure there are no missing or defective parts. Improper installation may cause damage or serious injury. Do not use this product for any purpose that is not explicitly specified in this manual. Do not exceed weight capacity. We cannot be liable for damage or injury caused by improper mounting, incorrect assembly or inappropriate use.

TIPOVER WARNING

SERIOUS OR FATAL CRUSHING INJURIES CAN OCCUR FROM TIPOVER. TO HELP PREVENT TIPOVER:

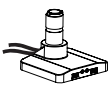
- NEVER ALLOW CHILDREN TO CLIMB, STAND, HANG, OR PLAY ON ANY PART OF MONITOR OR STAND.
- USE TIPOVER RESTRAINT OR ANCHOR STAND TO WALL

USE OF TIPOVER RESTRAINTS MAY ONLY REDUCE, BUT NOT ELIMINATE RISK OF TIPOVER.

WARNING: CHOKING HAZARD

SMALL PARTS - NOT FOR CHILDREN UNDER 3 YEARS. ADULT SUPERVISION IS REQUIRED.

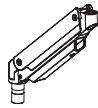
PACKAGE CONTENTS



A (x1)
Base



B (x1)
Lower Arm



C (x1)
Gas Spring Arm



D (x1)
VESA Plate



E (x1)
Clamp Plate



F (x1)
Grommet Plate



G (x1)
Soft Pad



H (x1)
Cover



I (x1)
Clamp Brace



J (x1)
Clamp



S-A (x4)
M6x12mm Screw



S-B (x1)
Spacer



S-C (x1)
M8x25mm Screw



M-A (x4)
M4x12mm Screw



M-B (x4)
M5x12mm Screw



M-C (x4)
M5 Washer



T-A (x1)
3mm Allen Wrench



T-B (x1)
4mm Allen Wrench



T-C (x1)
6mm Allen Wrench

TOOLS NEEDED

NOTE: SOME HARDWARE INCLUDED MAY NOT BE USED

DO NOT EXCEED WEIGHT CAPACITY.
Failure to do so may result in serious injury.

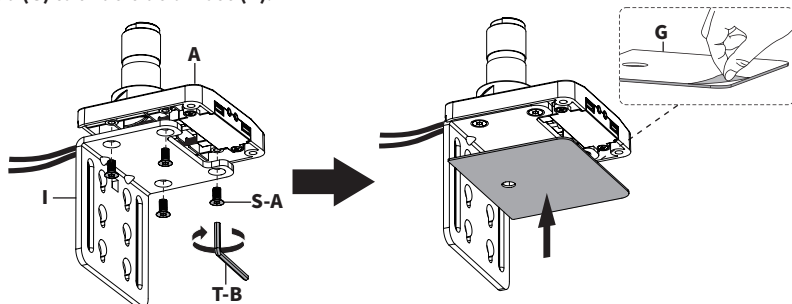


ASSEMBLY STEPS

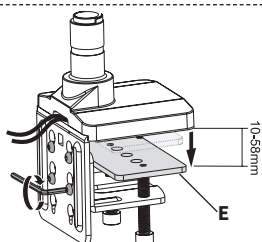
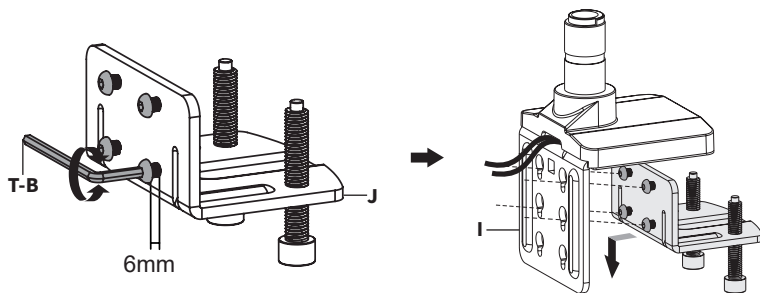
STEP 1 (Option A)

Clamp Installation

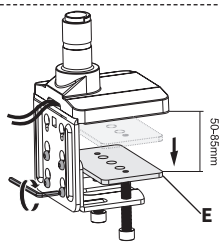
Attach Clamp Brace (I) to Base (A) using M6x12mm Screws (S-A) and 4mm Allen Wrench (T-B). Apply Soft Pad (G) to underside of Base (A).



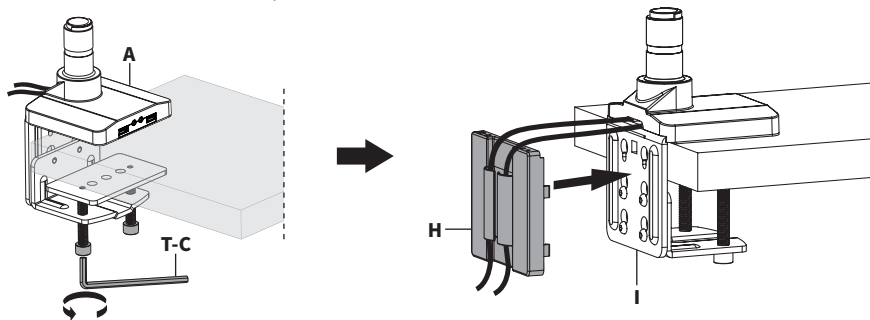
Loosen screws on the back of Clamp (J), leaving 6mm of thread exposed. Assemble Clamp (J) to Clamp Brace (I) in the correct position to fit the thickness of your desktop, and retighten screws using 4mm Allen Wrench (T-B). Place Clamp Plate (E) on top of clamp bolts.



OR



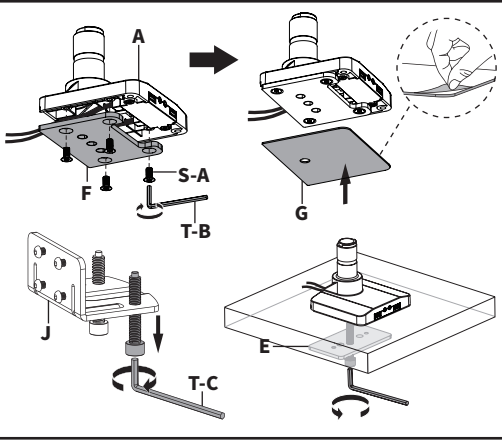
Position Base (A) on desktop and tighten clamp bolts evenly using 6mm Allen Wrench (T-C). Attach Cover (H) to back of Clamp Brace (I).



STEP 1 (Option B)

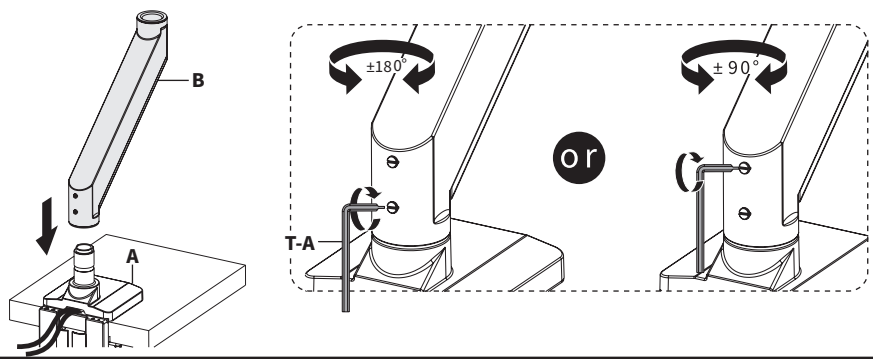
Grommet Base Installation

Attach Grommet Plate (F) to Base (A) using M6x12mm Screws (S-A) and tighten with 4mm Allen Wrench (T-B). Apply Soft Pad (G) to underside of Base (A). Position Base (A) over grommet hole in desktop, or drill a 3/8" (10mm) hole through the desk for installation. Remove clamp bolt from Clamp (J) using 6mm Allen Wrench (T-C). Insert clamp bolt with Clamp Plate (E) up through the underside of the desk and tighten to Base (A) using the 6mm Allen Wrench (T-C).



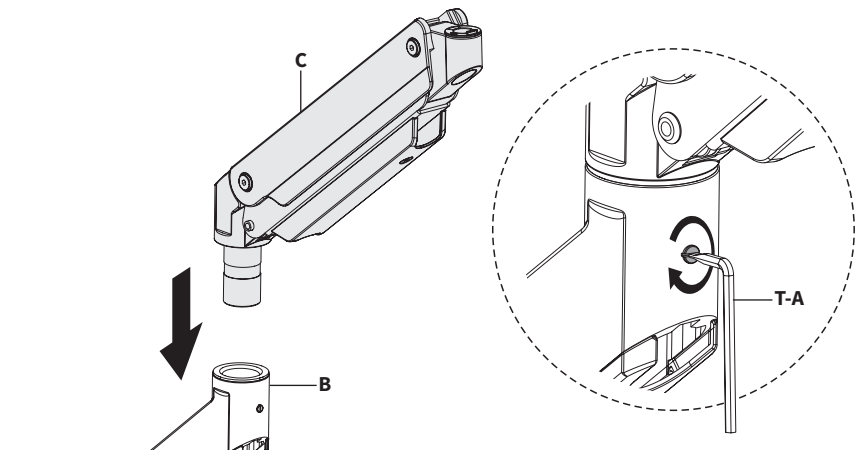
STEP 2

Place Lower Arm (B) on top of Base (A), and secure by turning the lower screw in back with 3mm Allen Wrench (T-A). Optionally, also tighten the upper screw to restrict swivel movement to +/-90 degrees.



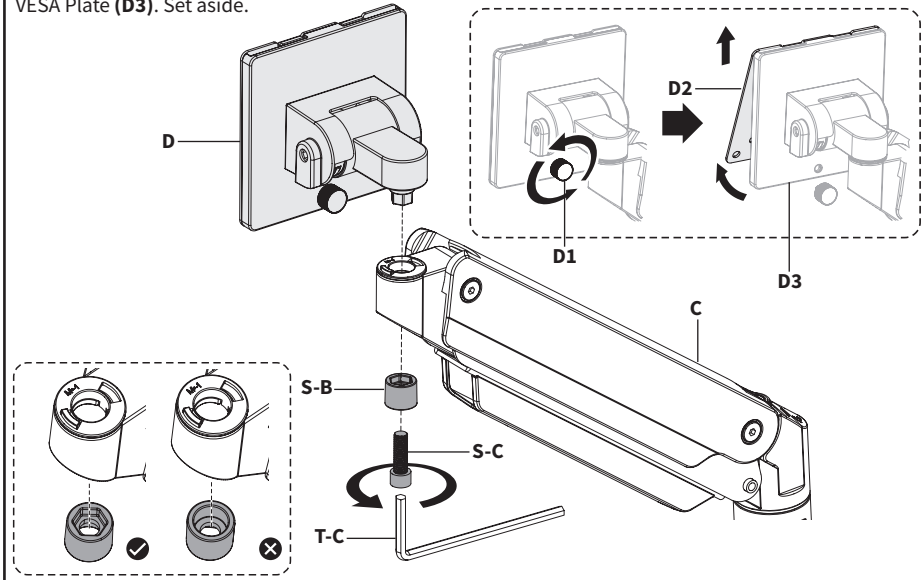
STEP 3

Assemble Gas Spring Arm (C) to Lower Arm (B), and secure by tightening the set screw in Lower Arm (B) using 3mm Allen Wrench (T-A).



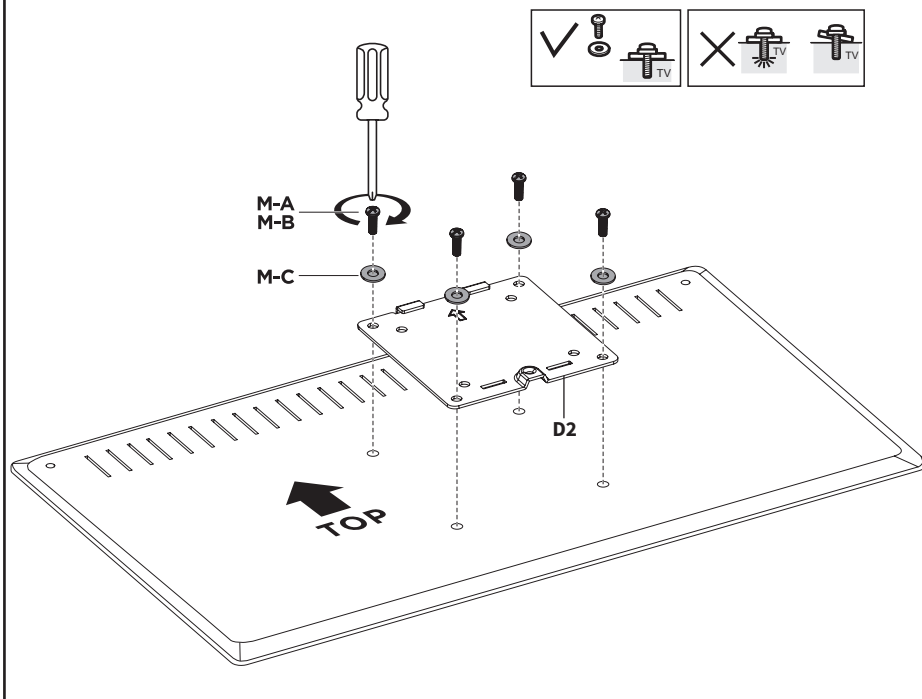
STEP 4

Connect VESA Plate (D) to Gas Spring Arm (C) using Spacer (S-B), M8x25mm Screw (S-C), and 6mm Allen Wrench (T-C). Ensure that hexagon side of Spacer (S-B) is facing upward towards VESA Plate (D). Remove Thumbscrew (D1) from back of VESA Plate (D). Separate Front VESA Plate (D2) from Back VESA Plate (D3). Set aside.



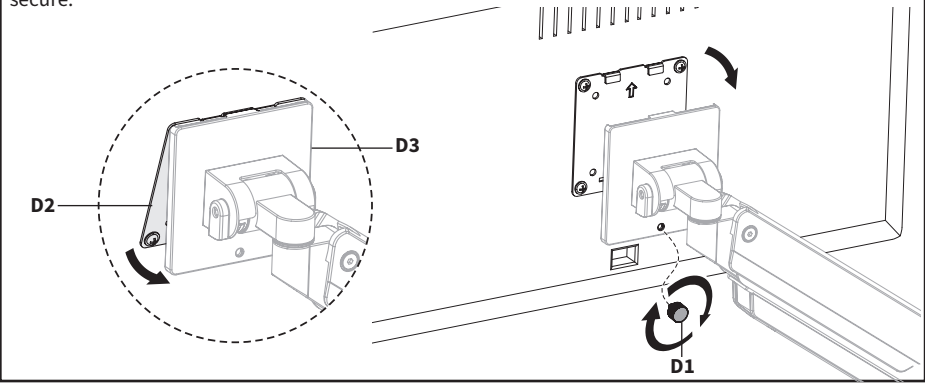
STEP 5

Install Front VESA Plate (D2) to monitor using M4x12mm Screws (M-A) or M5x12mm Screws (M-B) with M5 Washers (M-C), making sure the arrow on Front VESA Plate (D2) is pointing up.



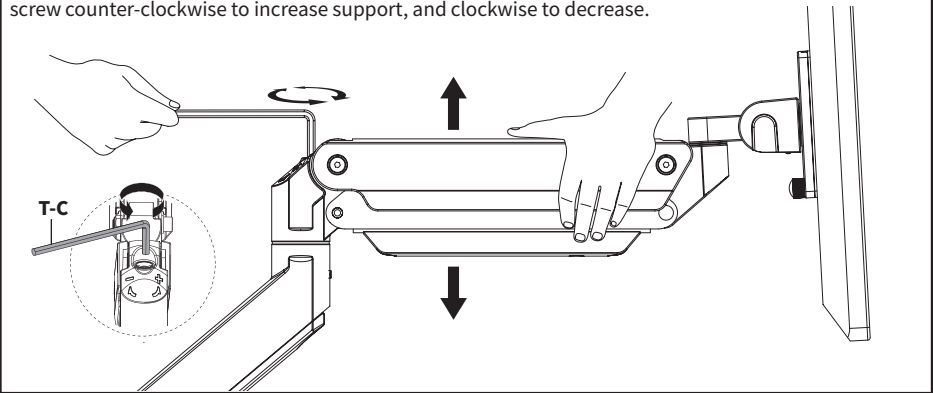
STEP 6

To mount the monitor, begin by lining up the tabs on Front VESA Plate (D2) with the slots on Back VESA Plate (D3). Insert tabs into slots and re-install Thumbscrew (D1) into Back VESA Plate (D3) to secure.



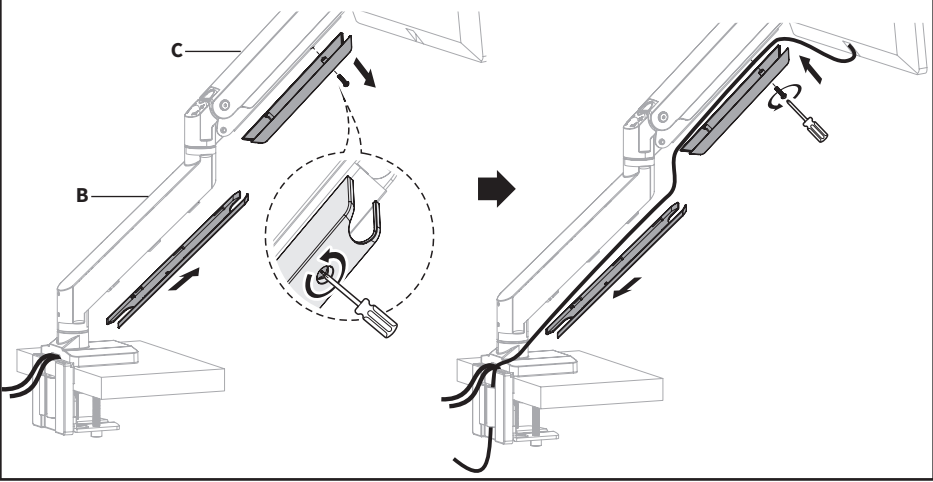
STEP 7

If needed, adjust gas spring arm to support the monitor using the 6mm Allen Wrench (T-C). Turn the screw counter-clockwise to increase support, and clockwise to decrease.



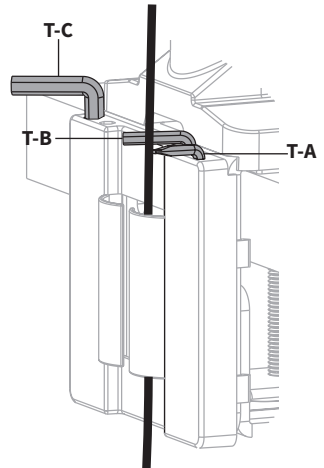
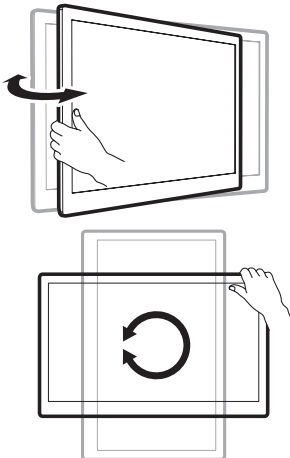
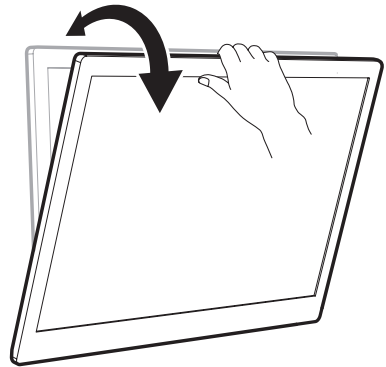
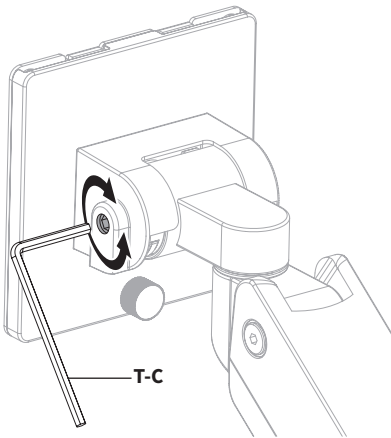
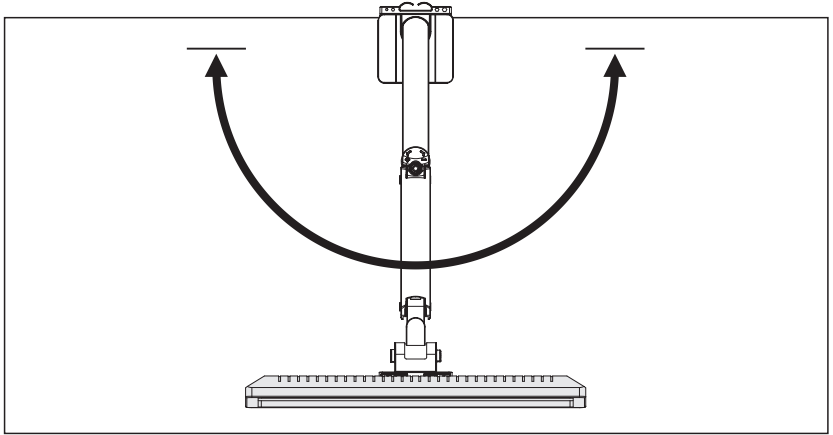
STEP 8


Remove cable cover on Gas Spring Arm (C) using a Phillips screwdriver. Slide cable cover on Lower Arm (B) forward to remove. Organize cables, then reinstall cable covers to Gas Spring Arm (C) and Lower Arm (B).



STEP 9

For safety, please do not extend the monitor behind the desk. This may cause instability and tip the desk over. Adjust the tilt using the 6mm Allen Wrench (**T-C**). Allen Wrenches (**T-A**, **T-B**, **T-C**) can be stored in slots for future adjustments.



 Love your new VIVO setup and want to share?
Tag us in your photo! **@vivo_us**

LAST UPDATED: 07/17/2023
REV2



Open **Monday - Friday 7:00am - 7:00pm** CST,
our dedicated support team can offer immediate assistance with rapid response times. If any parts are received damaged or defective, please contact us. We are happy to replace parts to ensure you have a fully functioning product.



www.vivo-us.com
Chat live with an agent!

AVG. RESOLUTION TIME (*within office hrs*): **< 15 M**



309-278-5303

AVG. RESOLUTION TIME (*within office hrs*): **5M 4S**



help@vivo-us.com

AVG. RESPONSE TIME (*within office hrs*): **1HR 8M**

- 23% within < 15m
- 38% within < 30m
- 61% within < 1hr
- 83% within < 2hr
- 92% within < 3hr

FOR MORE VIVO PRODUCTS, CHECK OUT OUR WEBSITE AT: www.vivo-us.com