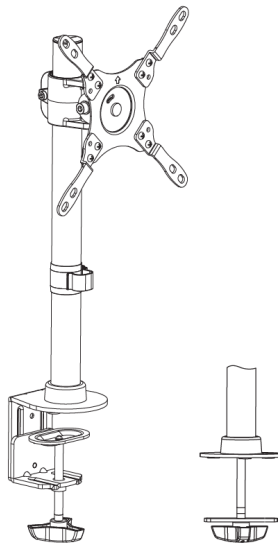




Single Monitor Desk Mount

Instruction Manual



SKU: STAND-V101C



Scan the QR code with your mobile device or follow the link for helpful videos and specifications related to this product.

<https://vivo-us.com/products/stand-v101c>

GET IN TOUCH | Monday-Friday from 7:00am-7:00pm CST



help@vivo-us.com



www.vivo-us.com
Chat live with an agent!



309-278-5303

WARNING!

If you do not understand these directions, or if you have any doubts about the safety of the installation, please call a qualified technician. Check carefully to make sure there are no missing or defective parts. Improper installation may cause damage or serious injury. Do not use this product for any purpose that is not explicitly specified in this manual. Do not exceed weight capacity. We cannot be liable for damage or injury caused by improper mounting, incorrect assembly or inappropriate use.

TIPOVER WARNING

SERIOUS OR FATAL CRUSHING INJURIES CAN OCCUR FROM TIPOVER. TO HELP PREVENT TIPOVER:

- NEVER ALLOW CHILDREN TO CLIMB, STAND, HANG, OR PLAY ON ANY PART OF MONITOR OR STAND.
- USE TIPOVER RESTRAINT OR ANCHOR STAND TO WALL

USE OF TIPOVER RESTRAINTS MAY ONLY REDUCE, BUT NOT ELIMINATE RISK OF TIPOVER.

WARNING: CHOKING HAZARD

SMALL PARTS - NOT FOR CHILDREN UNDER 3 YEARS. ADULT SUPERVISION IS REQUIRED.

PACKAGE CONTENTS



A (x1)
VESA Plate



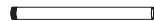
B (x1)
Clamp



C (x1)
Pole Cover



D (x1)
Cable Clip



E (x1)
Pole



F (x1)
Base Cover



G (x1)
Grommet Base



H (x5)
Soft Pad



I (x1)
Metal Pad



J (x1)
3mm Allen Key



K (x1)
5mm Allen Key



L (x1)
6mm Allen Key



M (x2)
VESA Bracket



N (x2)
VESA Bracket



O (x8)
M5x12



P (x8)
M5 Nut



M-A (x4)
M4x12



M-B (x4)
M5x12



M-C (x4)
M6x14



M-D (x4)
M8x20



M-E (x4)
D5 Washer



M-F (x4)
D8 Washer



M-G (x8)
Spacer

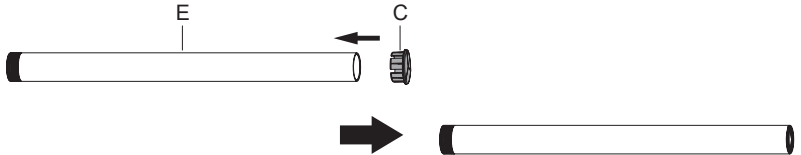
NOTE: SOME HARDWARE INCLUDED MAY NOT BE USED



ASSEMBLY STEPS

STEP 1

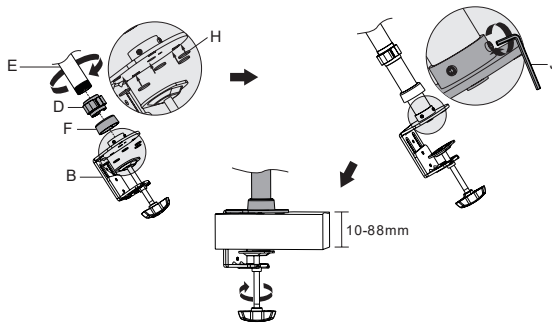
Install pole cap (C) to top of pole (E).



STEP 2

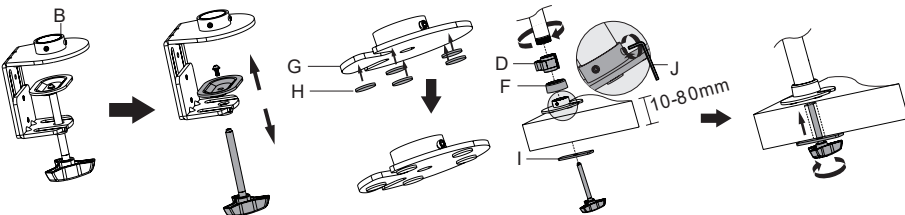
OPTION A: Clamp Installation

Slide cable management clip (D) and base cover (F) on to bottom of pole (E). Attach pads (H) to clamp (B) as shown in the diagram. Thread pole (E) onto clamp (B). Tighten grub screws in bottom of clamp (B) using 3mm allen key (J). Secure clamp (B) to desktop as shown in diagram.



OPTION B: Grommet Base Installation

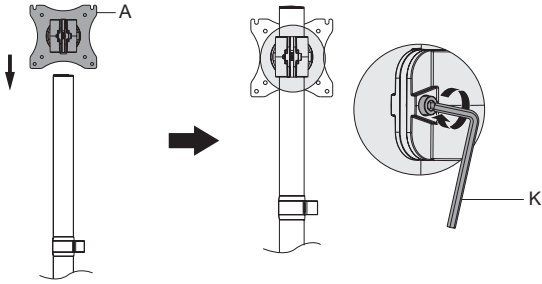
Remove screw from top of bolt in clamp (B). Stick soft pads (H) to bottom of grommet base (G). Slide cable management clip (D) and base cover (F) on to bottom pole (E). Thread pole (E) onto grommet base (G). Tighten grub screws in bottom of grommet base (G) using 3mm allen key (J). Slide metal pad (I) over bolt and slide through grommet hole in bottom of desktop. Thread into bottom of pole (E).



STEP 3

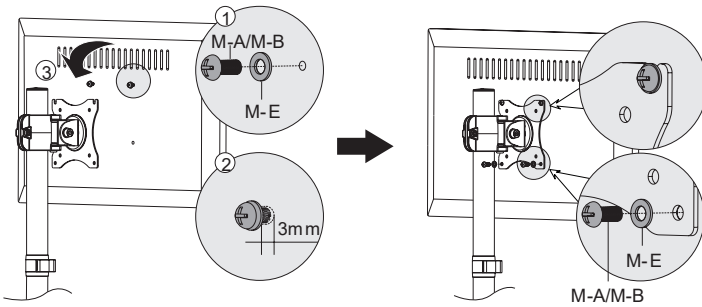
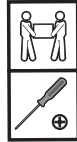
OPTION A1

Attach VESA bracket (A) to pole (E) using 5mm allen key (K).



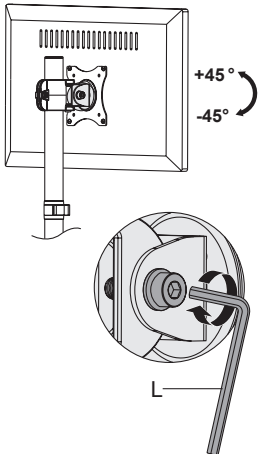
OPTION A2

Attach two bolts (M-A or M-B) and washers (M-E) to top mounting holes of monitor, making sure to leave 3mm of threads exposed. Align bolts (M-A or M-B) in VESA plate. Secure using two more bolts (M-A or M-B) and washers (M-E) in the bottom two holes. Tighten all four bolts using phillips screwdriver.



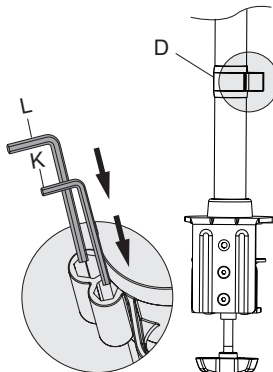
OPTION A3

Adjust tension in bracket using 6mm allen key (L).



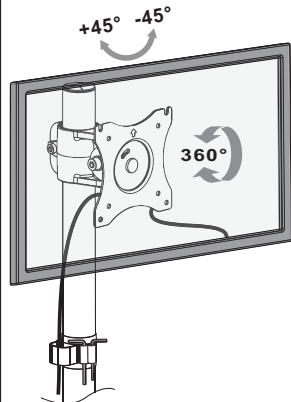
OPTION A4

Store allen keys (L,K) in cable management clip (D) for future adjustments.



OPTION A5

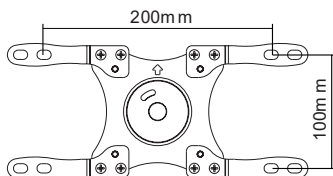
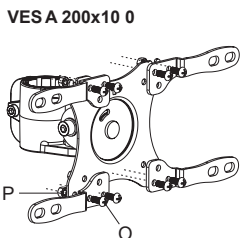
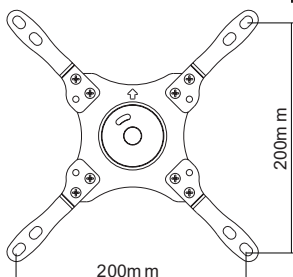
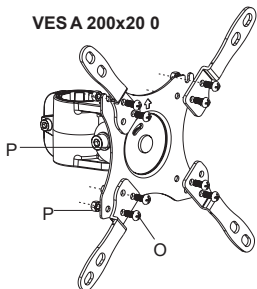
Adjust as desired.



STEP 3 (Continued)

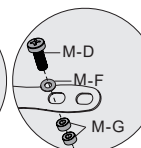
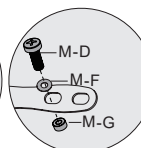
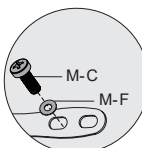
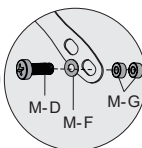
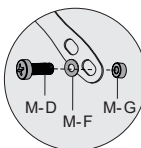
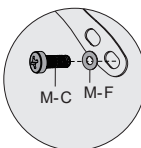
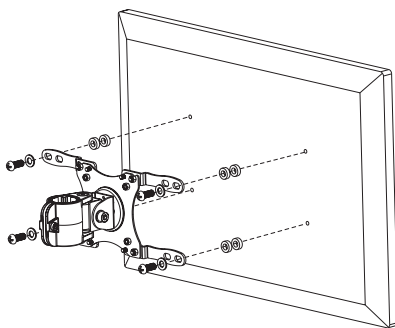
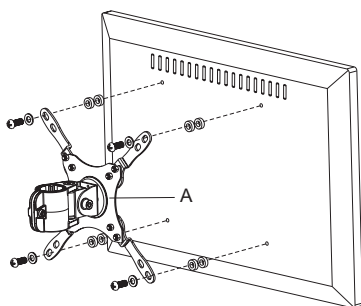
OPTION B1

Mount VESA extension (**M,N**) to VESA bracket (**A**) using the M5x12 bolt (**O**) and the M5 nut (**P**) in 200mmx200mm or 200mmx100mm orientations according to mounting holes on your monitor.



OPTION B2

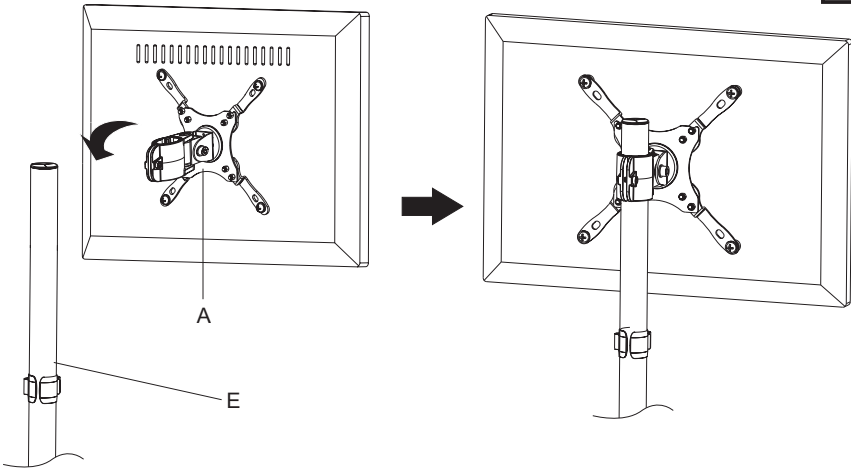
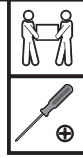
Attach VESA bracket (**A**) to back of monitor using bolts (**M-C or M-D**) and washers (**M-F**). Spacer (**M-G**) may be required.



STEP 3 (Continued)

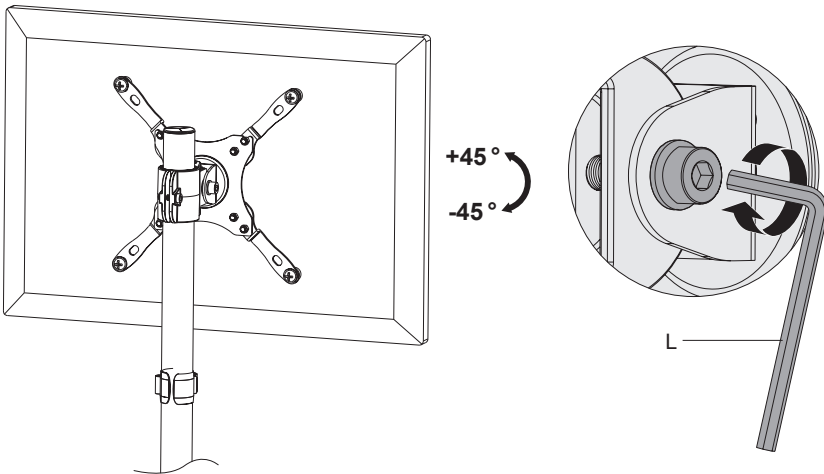
OPTION B3

Attach VESA bracket (A) to pole (E) using 5mm allen key (K).



OPTION B4

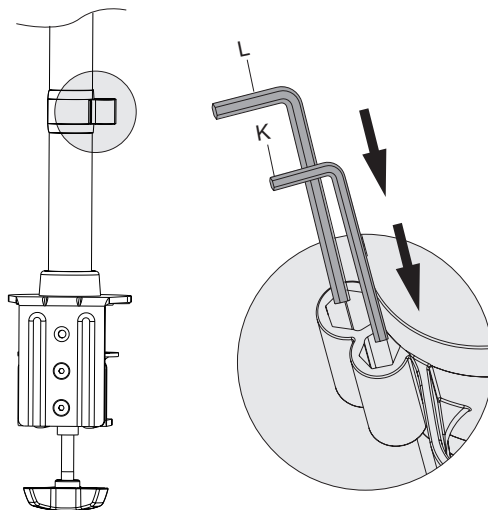
Adjust tension in bracket using 6mm allen key (L).



STEP 3 (Continued)

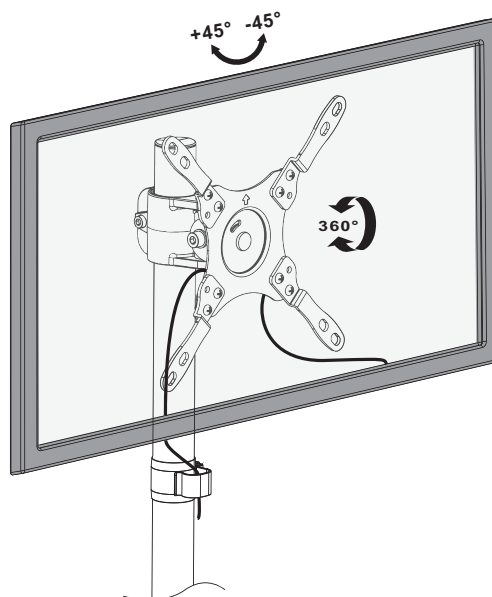
OPTION B5

Store allen keys (**L,K**) in cable management clips (**D**) for future adjustments.



OPTION B6

Adjust as desired.






Open **Monday - Friday 7:00am - 7:00pm** CST,

our dedicated support team can offer immediate assistance with rapid response times. If any parts are received damaged or defective, please contact us. We are happy to replace parts to ensure you have a fully functioning product.


 help@vivo-us.com

AVG. RESPONSE TIME (*within office hrs*): **1HR 8M**

- 23% within < 15m
- 38% within < 30m
- 61% within < 1hr
- 83% within < 2hr
- 92% within < 3hr

 www.vivo-us.com
Chat live with an agent!

AVG. RESOLUTION TIME (*within office hrs*): **< 15 M**

 309-278-5303

AVG. RESOLUTION TIME (*within office hrs*): **5M 4S**