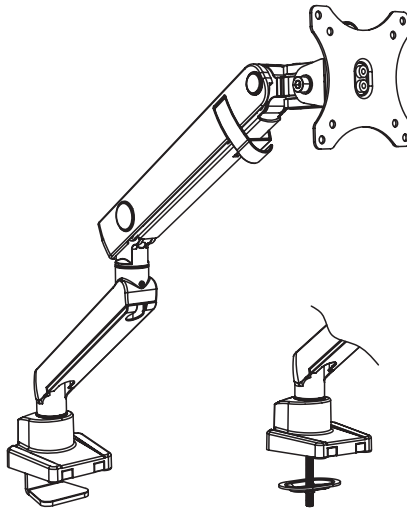




Pneumatic Arm Single Monitor Desk Mount Instruction Manual



SKU: STAND-V101BB



Scan the QR code with your mobile device or follow the link for helpful videos and specifications related to this product.

<https://vivo-us.com/products/stand-v101bb>

GET IN TOUCH | Monday-Friday from 7:00am-7:00pm CST



help@vivo-us.com



www.vivo-us.com
Chat live with an agent!



309-278-5303

WARNING!

If you do not understand these directions, or if you have any doubts about the safety of the installation, please call a qualified technician. Check carefully to make sure there are no missing or defective parts. Improper installation may cause damage or serious injury. Do not use this product for any purpose that is not explicitly specified in this manual. Do not exceed weight capacity. We cannot be liable for damage or injury caused by improper mounting, incorrect assembly or inappropriate use.

TIPOVER WARNING

SERIOUS OR FATAL CRUSHING INJURIES CAN OCCUR FROM TIPOVER. TO HELP PREVENT TIPOVER:

- NEVER ALLOW CHILDREN TO CLIMB, STAND, HANG, OR PLAY ON ANY PART OF MONITOR OR STAND.
- USE TIPOVER RESTRAINT OR ANCHOR STAND TO WALL

USE OF TIPOVER RESTRAINTS MAY ONLY REDUCE, BUT NOT ELIMINATE RISK OF TIPOVER.

WARNING: CHOKING HAZARD

SMALL PARTS - NOT FOR CHILDREN UNDER 3 YEARS. ADULT SUPERVISION IS REQUIRED.

PACKAGE CONTENTS



A (x1)
Base



B (x1)
Lower Arm



C (x1)
Spring Arm



D (x1)
VESAs Plate



E (x1)
Cable Clip



F (x1)
Support Plate



G (x1)
Grommet Bolt



H (x1)
3mm Allen
Wrench



I (x1)
6mm Allen
Wrench



M-A (x4)
M4x12



M-B (x4)
M5x12



M-C (x4)
D5 Washer

NOTE: SOME HARDWARE INCLUDED MAY NOT BE USED

TOOLS NEEDED



DO NOT EXCEED WEIGHT CAPACITY.

Failure to do so may result in serious injury.

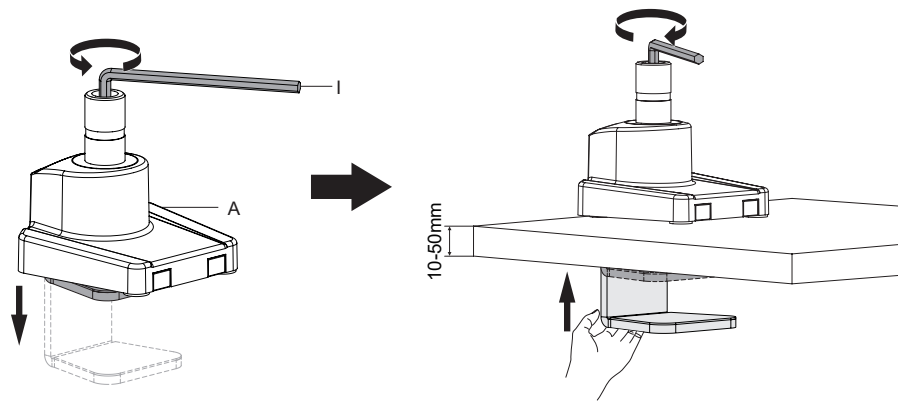
17.6lbs
(7.98kg)

ASSEMBLY STEPS

STEP 1

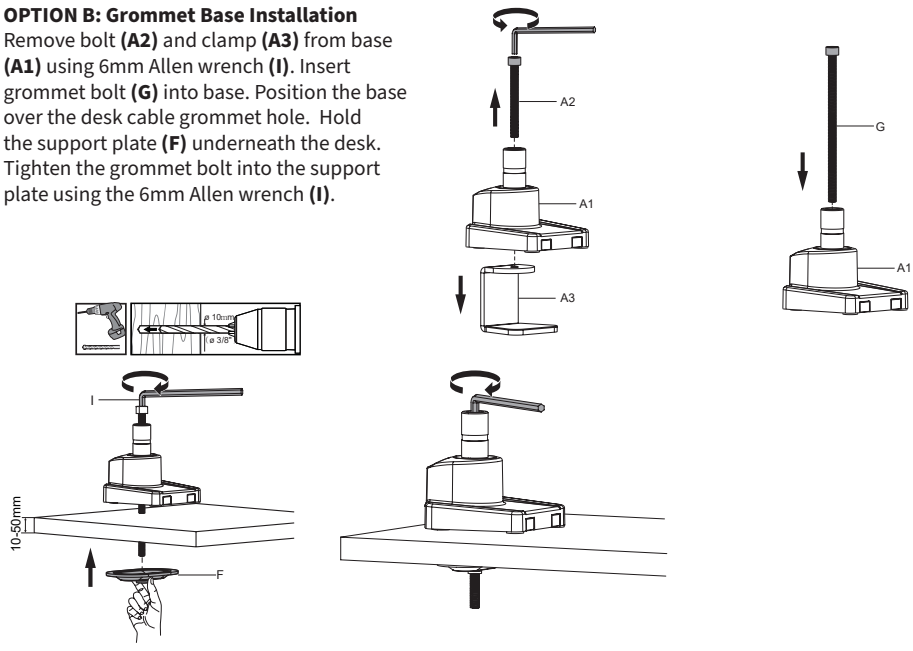
OPTION A: Clamp Installation

Insert 6mm Allen wrench (I) into socket on top of base (A) and turn screw counter-clockwise to lower clamp. Place on edge of table and tighten clamp.



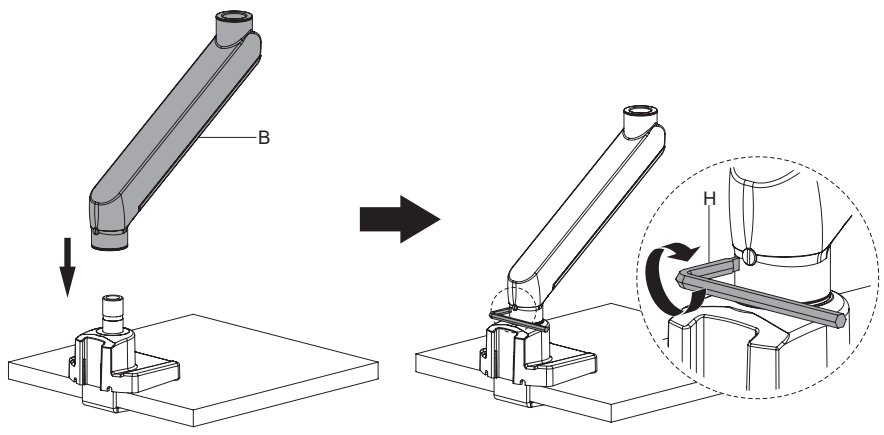
OPTION B: Grommet Base Installation

Remove bolt (A2) and clamp (A3) from base (A1) using 6mm Allen wrench (I). Insert grommet bolt (G) into base. Position the base over the desk cable grommet hole. Hold the support plate (F) underneath the desk. Tighten the grommet bolt into the support plate using the 6mm Allen wrench (I).



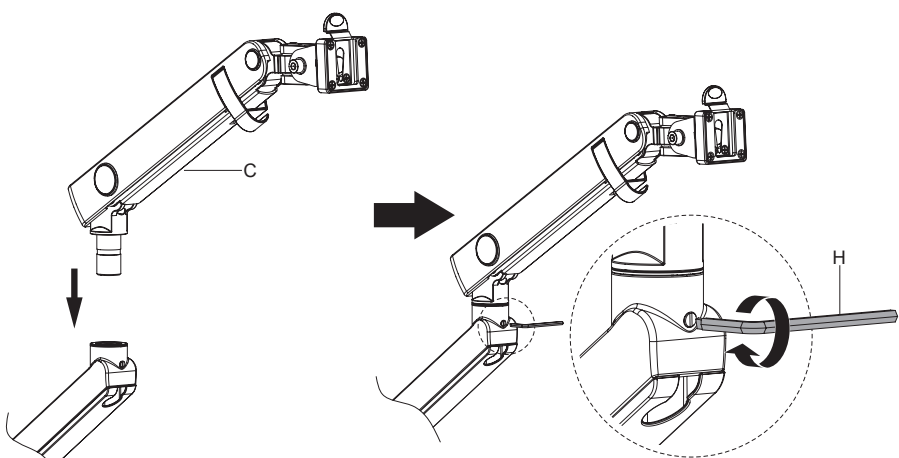
STEP 2

Place lower arm **(B)** onto base, and secure by turning the screw in back with 3mm Allen wrench **(H)**.



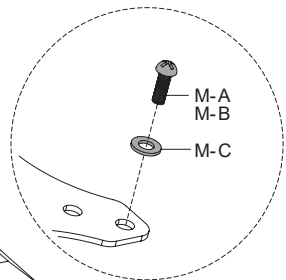
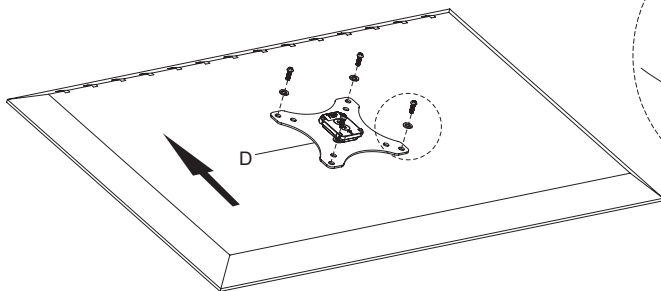
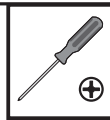
STEP 3

Place spring arm **(C)** onto lower arm, and secure by turning the screw in the front with 3mm Allen wrench **(H)**.



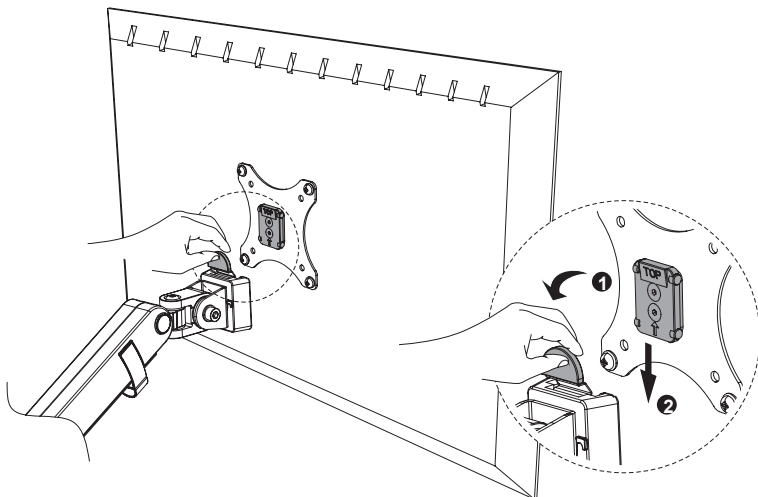
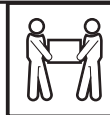
STEP 4

Install the VESA plate (**D**) to monitor using M4x12 bolts (**M-A**) or M5x12 bolts (**M-B**) with washers (**M-C**), making sure the arrow in back is pointing up.



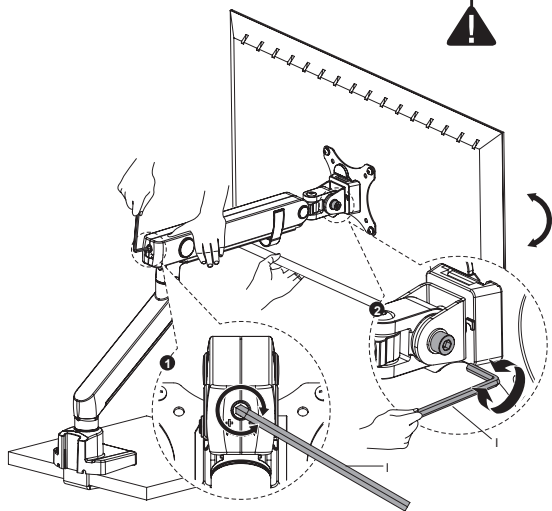
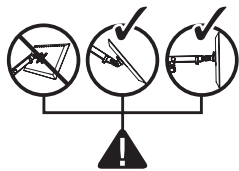
STEP 5

Pull back the release lever on the support bracket, then place the monitor with VESA plate into the support.



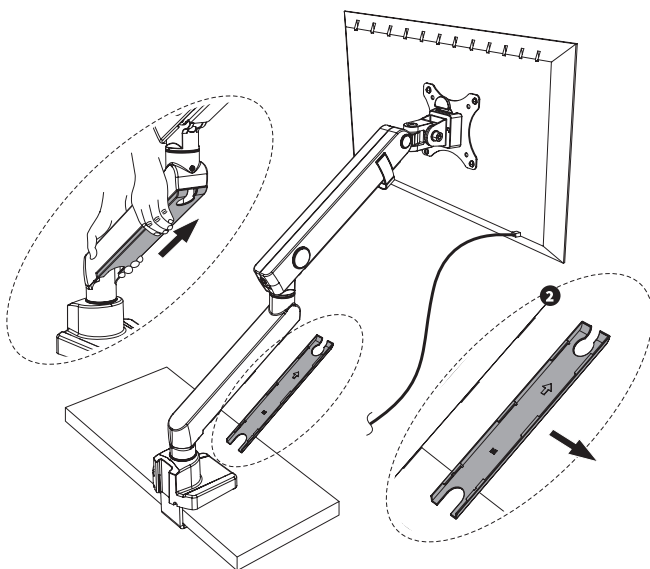
STEP 6

If needed, adjust spring arm to support the monitor using the 6mm Allen wrench. Turn the screw in back clockwise to increase support, and counter-clockwise to decrease. Adjust the tilt joint to tighten or loosen tilt support.



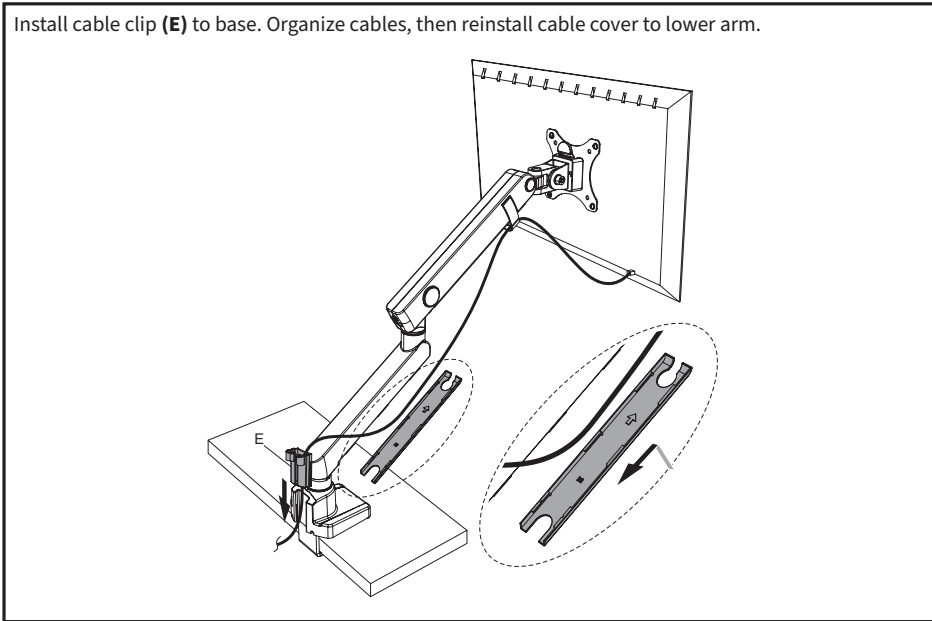
STEP 7

Slide cable cover on lower arm forward to remove.

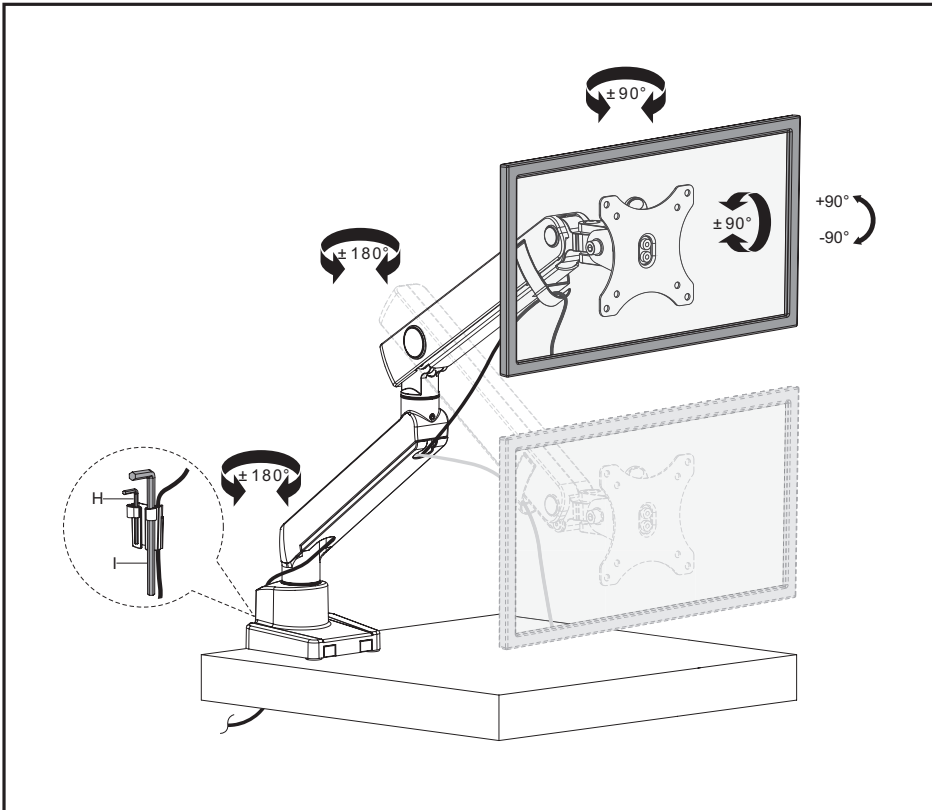


STEP 8

Install cable clip (**E**) to base. Organize cables, then reinstall cable cover to lower arm.



Adjust as Desired






Open **Monday - Friday 7:00am - 7:00pm** CST,
our dedicated support team can offer immediate assistance with rapid response times. If any parts are received damaged or defective, please contact us. We are happy to replace parts to ensure you have a fully functioning product.


 help@vivo-us.com

AVG. RESPONSE TIME (*within office hrs*): **1HR 8M**

- 23% within < 15m
- 38% within < 30m
- 61% within < 1hr
- 83% within < 2hr
- 92% within < 3hr

 www.vivo-us.com
Chat live with an agent!

AVG. RESOLUTION TIME (*within office hrs*): **< 15 M**

 309-278-5303

AVG. RESOLUTION TIME (*within office hrs*): **5M 4S**