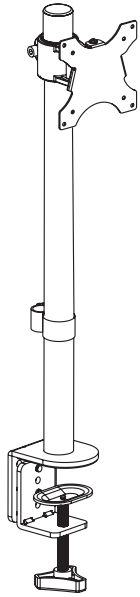


Single Monitor Desk Mount

Instruction Manual



SKU: STAND-V101A



Scan the QR code with your mobile device or follow the link for helpful videos and specifications related to this product.

<https://vivo-us.com/products/stand-v101a>



help@vivo-us.com



www.vivo-us.com



1-800-371-5654

! WARNING!

If you do not understand these directions, or if you have any doubts about the safety of the installation, please call a qualified technician. Check carefully to make sure there are no missing or defective parts. Improper installation may cause damage or serious injury. Do not use this product for any purpose that is not explicitly specified in this manual. Do not exceed weight capacity. We cannot be liable for damage or injury caused by improper mounting, incorrect assembly or inappropriate use.

! TIPOVER WARNING

SERIOUS OR FATAL CRUSHING INJURIES CAN OCCUR FROM TIPOVER. TO HELP PREVENT TIPOVER:

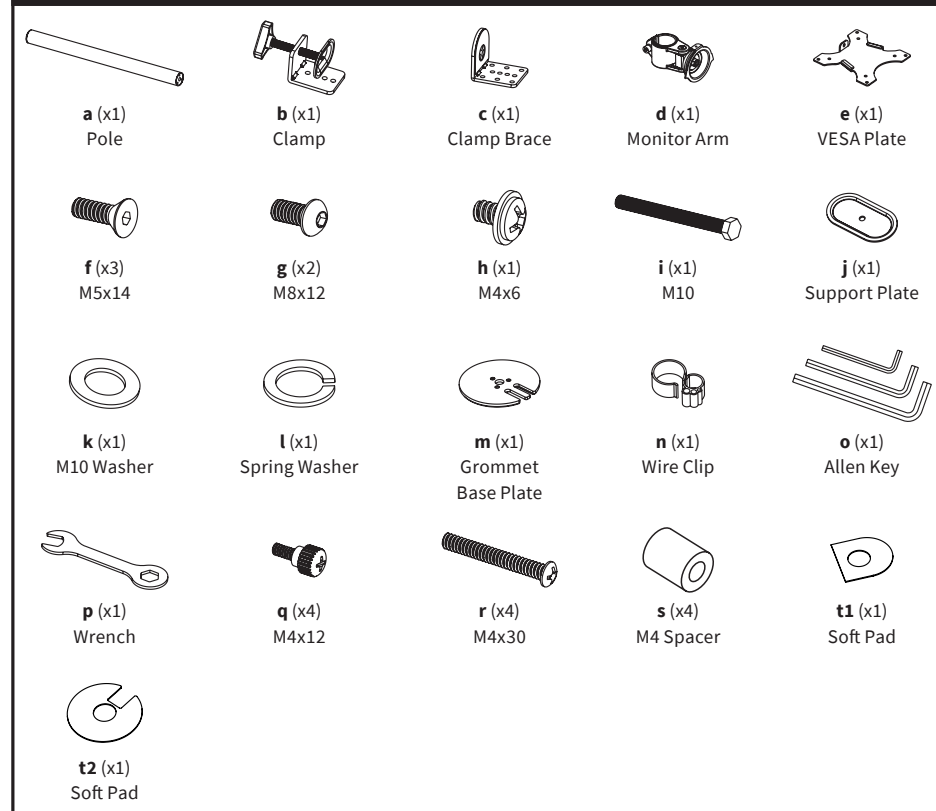
- NEVER ALLOW CHILDREN TO CLIMB, STAND, HANG, OR PLAY ON ANY PART OF MONITOR OR STAND.
- USE TIPOVER RESTRAINT OR ANCHOR STAND TO WALL

USE OF TIPOVER RESTRAINTS MAY ONLY REDUCE, BUT NOT ELIMINATE RISK OF TIPOVER.

! WARNING: CHOKING HAZARD

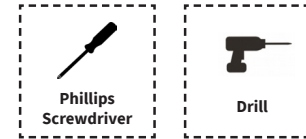
SMALL PARTS - NOT FOR CHILDREN UNDER 3 YEARS. ADULT SUPERVISION IS REQUIRED.

PACKAGE CONTENTS



NOTE: NOT ALL HARDWARE INCLUDED WILL BE USED

TOOLS NEEDED



DO NOT EXCEED WEIGHT CAPACITY.

Failure to do so may result in serious injury.

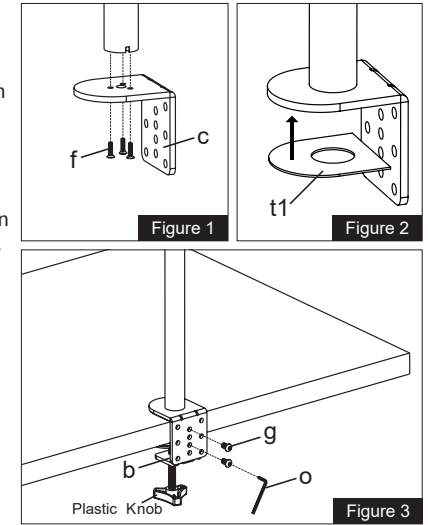


ASSEMBLY STEPS

STEP 1

OPTION A: Clamp Installation

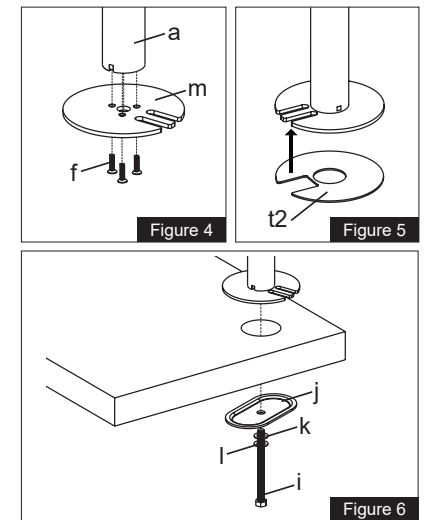
1. Install the clamp brace (c) to the pole (a) using M5x14 bolts (f) as shown in Figure 1.
2. Attach soft pad (t1) to the clamp brace as shown in Figure 2.
3. Install the clamp (b) to one of three positions on the pole assembly according to the thickness of the desktop. Connect using M8x12 bolts (g) and tighten using the 5mm Allen key (o-5), then tighten the clamp to the desktop using the plastic knob as shown in Figure 3.



OPTION B: Grommet Base Installation

If an existing grommet hole comes with a plastic protector, remove it to ensure a flat mounting surface before installing the desk mount.

1. Install the grommet base plate (m) to the pole (a) using M5x14 bolts (f) as shown in Figure 4.
2. Attach soft pad (t2) to the grommet base plate as shown in Figure 5.
3. Position the pole assembly on the mounting surface and secure using the support plate (j), M10 washer (k), spring washer (l) and M10 bolt (i) as shown in Figure 6. Tighten using the provided wrench (p).



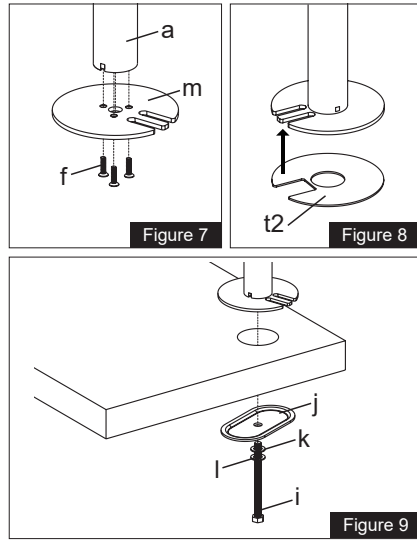
STEP 1 (Continued)

OPTION C: Grommet Base Installation

Self Drilled Grommet Installation

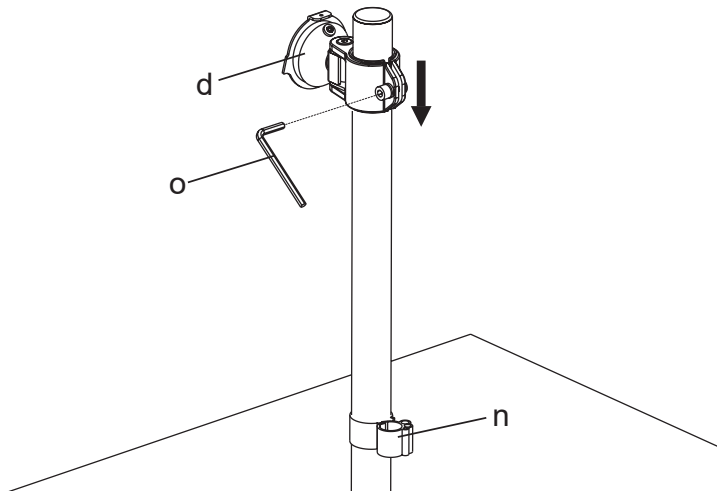
If no grommet hole is present, drill a $\frac{3}{8}$ " (10mm) hole through the mounting surface.

1. Install the grommet base plate (**m**) to the pole (**a**) using M5x14 bolts (**f**) as shown in Figure 7.
2. Attach soft pad (**t2**) to the grommet base plate as shown in Figure 8.
3. Position the pole assembly on the mounting surface and secure using the support plate (**j**), M10 washer (**k**), spring washer (**l**) and M10 bolt (**i**) as shown in Figure 9. Tighten using the provided wrench (**p**).



STEP 2

Slide the monitor arm (**d**) onto the pole (**a**), then tighten the bolt with the 6mm Allen key (**o-6**). Attach the wire clip (**n**) to the pole.

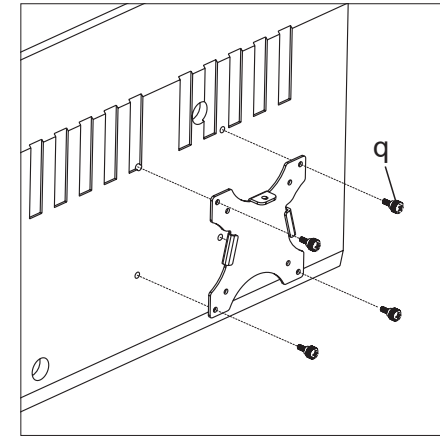


STEP 3

OPTION A: Flat Back Monitor

For a monitor with a flat back, use M4x12 thumbscrews (**q**) to attach the VESA plate (**e**) to the monitor.

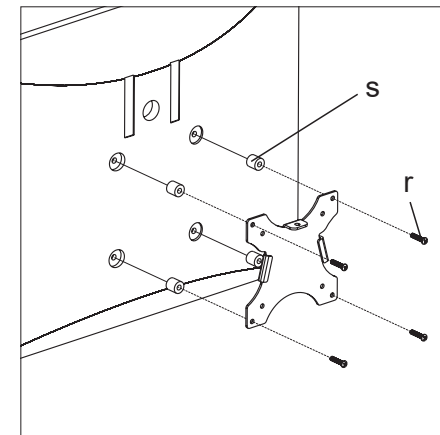
NOTE: Do not over-tighten screws. Thumbscrews only need to be finger-tight.



OPTION B: Curved Back Monitor

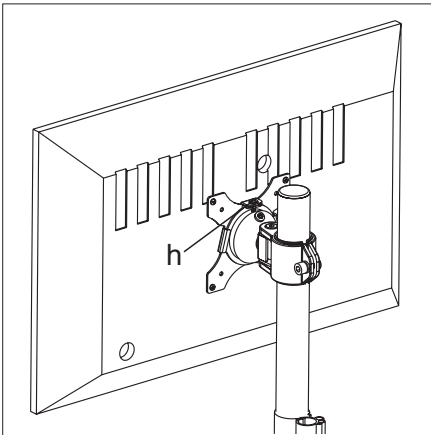
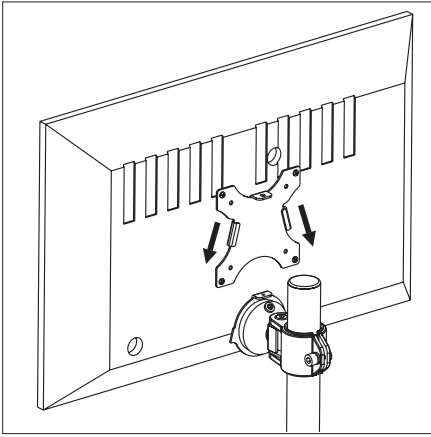
For a monitor with a curved or recessed back, use spacers (**s**) and M4x30 bolts (**r**) to attach the VESA plate (**e**) to the monitor.

NOTE: Do not over-tighten screws.



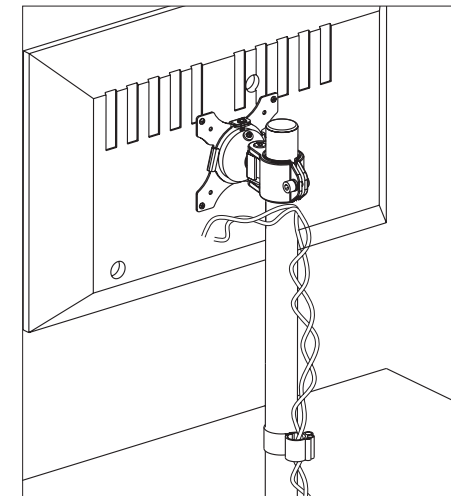
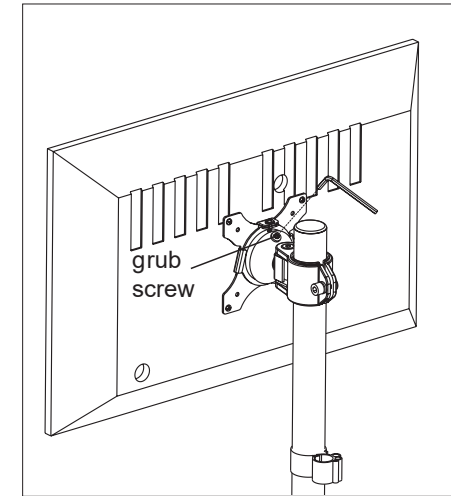
STEP 4

Slide the monitor onto the head of monitor arm (**d**) as shown. Install the M4x6 bolt (**h**) to secure the monitor. Make sure the bolt is installed before you rotate the monitor.



STEP 5

Fasten the grub screw in the monitor arm to fix the tilt and using the 3mm Allen key (**o-3**). Alternatively, remove the VESA plate and tighten the nut in the center of the joint. Manage the wires using the cable clip (**n**) as shown.





Love your new VIVO setup and want to share?

Tag us in your photo! **@vivo_us**

Last Updated: 11/30/2018



If any parts are received damaged or defective, please contact us. We are happy to replace parts to ensure you have a fully functioning product.



help@vivo-us.com



www.vivo-us.com



1-800-371-5654

For more VIVO products, check out our website at:
www.vivo-us.com.