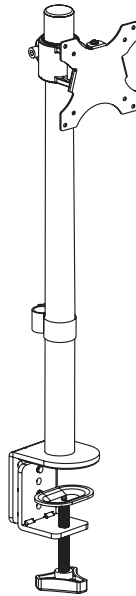




Single Monitor Desk Mount

Instruction Manual



SKU: STAND-V101A



Scan the QR code with your mobile device or follow the link for helpful videos and specifications related to this product.

<https://vivo-us.com/products/stand-v101a>

GET IN TOUCH | Monday-Friday from 7:00am-7:00pm CST



help@vivo-us.com



www.vivo-us.com
Chat live with an agent!



309-278-5303

WARNING!

If you do not understand these directions, or if you have any doubts about the safety of the installation, please call a qualified technician. Check carefully to make sure there are no missing or defective parts. Improper installation may cause damage or serious injury. Do not use this product for any purpose that is not explicitly specified in this manual. Do not exceed weight capacity. We cannot be liable for damage or injury caused by improper mounting, incorrect assembly or inappropriate use.

TIPOVER WARNING

SERIOUS OR FATAL CRUSHING INJURIES CAN OCCUR FROM TIPOVER. TO HELP PREVENT TIPOVER:

- NEVER ALLOW CHILDREN TO CLIMB, STAND, HANG, OR PLAY ON ANY PART OF MONITOR OR STAND.
- USE TIPOVER RESTRAINT OR ANCHOR STAND TO WALL

USE OF TIPOVER RESTRAINTS MAY ONLY REDUCE, BUT NOT ELIMINATE RISK OF TIPOVER.

WARNING: CHOKING HAZARD

SMALL PARTS - NOT FOR CHILDREN UNDER 3 YEARS. ADULT SUPERVISION IS REQUIRED.

PACKAGE CONTENTS



A (x1)
Pole



B (x1)
Clamp



C (x1)
Clamp Brace



D (x1)
Monitor Arm



E (x1)
VESA Plate



F (x3)
M5x14



G (x2)
M8x12



H (x1)
M4x6



I (x1)
M10 Washer



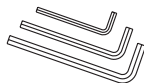
J (x1)
Spring Washer



K (x1)
Grommet



L (x1)
Wire Clip



M (x1)
Allen Key Set



N (x4)
M4x12
Thumbscrew



O (x4)
M4x30



P (x4)
M4 Spacer



Q1 (x1)
Soft Pad



Q2 (x1)
Soft Pad

NOTE: SOME HARDWARE INCLUDED MAY NOT BE USED

TOOLS NEEDED



DO NOT EXCEED WEIGHT CAPACITY.

Failure to do so may result in serious injury.

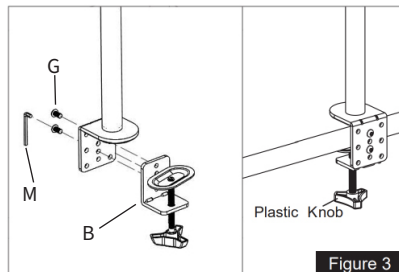
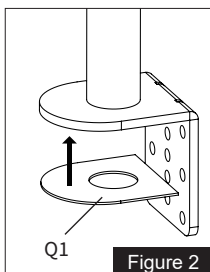
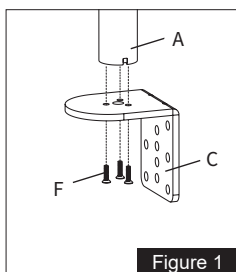
22lbs
(9.98kg)

ASSEMBLY STEPS

STEP 1

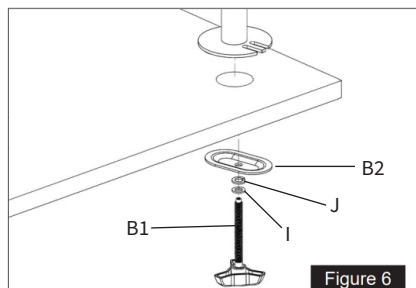
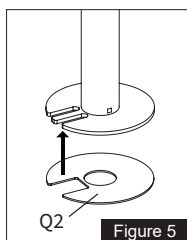
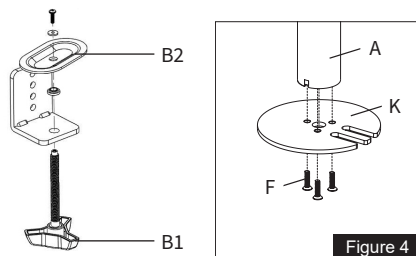
Option A: Desk Clamp Install

1. Install the clamp brace (C) to the pole (A) using x3 M5x14 bolts (F). See Figure 1.
2. Attach soft pad (Q1) to the clamp brace (C), see Figure 2.
3. Install the clamp (B) to the pole assembly according to the thickness of the desktop. The thickness can be changed to 3 positions. Connect using x2 M8x12 bolts (G) and tighten using the Allen key (M). Tighten the clamp to the desktop using the plastic knob. See Figure 3.



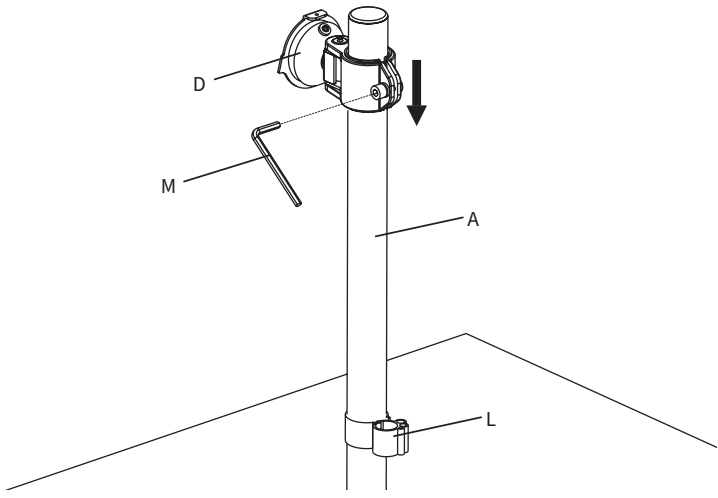
Option B: Grommet Install

1. If desk does not have an existing grommet hole, drill a 3/8" (10mm) diameter hole at the desired position through the mounting surface.
2. Completely disassemble clamp (B) into individual parts. Set knob (B1) and clamp plate (B2) aside for later use. The L bracket, bolt, washer and bushing will not be used.
3. Install grommet base plate (K) to the pole (A) using x3 M5x14 bolts (F). See Figure 4.
4. Attach soft pad (Q2) to the grommet base plate (K), see Figure 5.
5. Position pole (A) on the mounting surface and secure using the clamp plate (B2), spring washer (J), M10 washer (I) and knob (B1). See Figure 6.



STEP 2

Slide the monitor arm (D) onto the pole (A), then tighten the bolt with the 6mm Allen key (M). Attach the wire clip (L) to the pole.

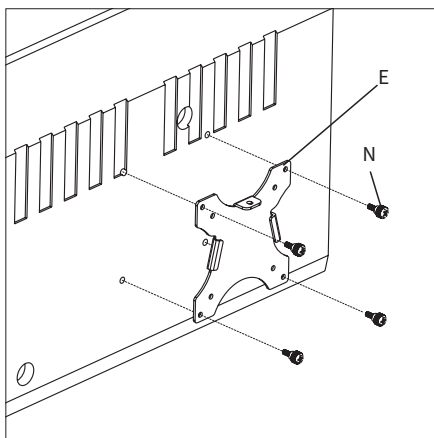


STEP 3

OPTION A: Flat Back Monitor

For a monitor with a flat back, use M4x12 thumbscrews (**N**) to attach the VESA plate (**E**) to the monitor.

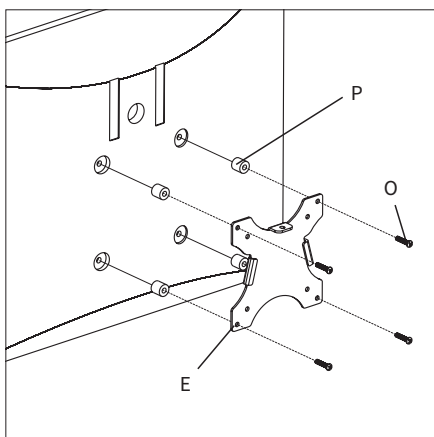
NOTE: Hand tighten screws to avoid over tightening.



OPTION B: Curved Back Monitor

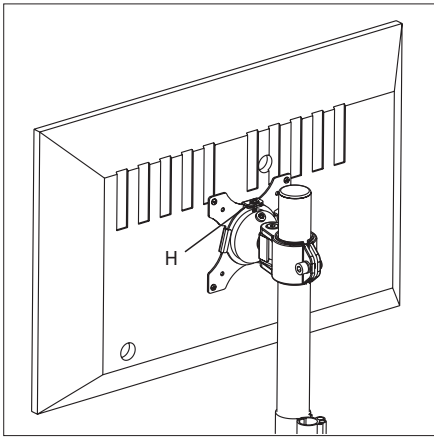
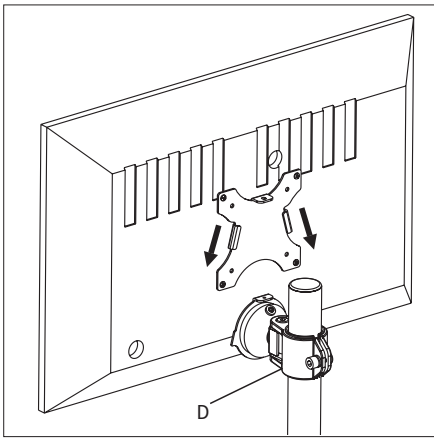
For a monitor with a curved or recessed back, use spacers (**P**) and M4x30 bolts (**O**) to attach the VESA plate (**E**) to the monitor.

NOTE: Gently tighten with a screwdriver.



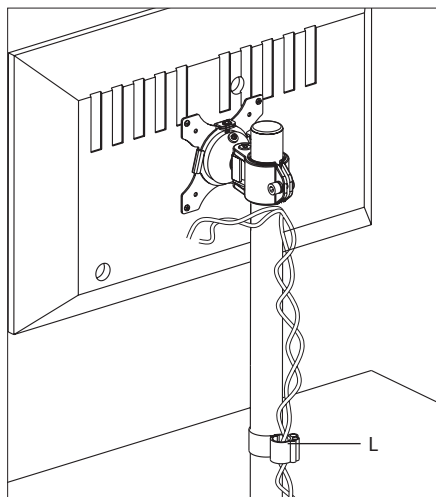
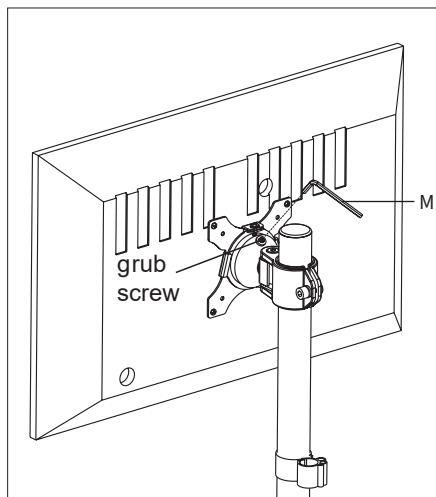
STEP 4

Slide the monitor onto the head of monitor arm (D) as shown. Install the M4x6 bolt (H) to secure the monitor. Make sure the bolt is installed before you rotate the monitor.



STEP 5

Fasten the grub screw in the monitor arm to fix the tilt and using the 3mm Allen key (**M**). Alternatively, remove the VESA plate and tighten the nut in the center of the joint. Manage the wires using the cable clip (**L**) as shown.





Open **Monday - Friday 7:00am - 7:00pm** CST,
our dedicated support team can offer immediate assistance with rapid response times. If any parts are received damaged or defective, please contact us. We are happy to replace parts to ensure you have a fully functioning product.


 help@vivo-us.com

AVG. RESPONSE TIME (*within office hrs*): **1HR 8M**

- 23% within < 15m
- 38% within < 30m
- 61% within < 1hr
- 83% within < 2hr
- 92% within < 3hr

 www.vivo-us.com
Chat live with an agent!

AVG. RESOLUTION TIME (*within office hrs*): **< 15 M**

 309-278-5303

AVG. RESOLUTION TIME (*within office hrs*): **5M 4S**