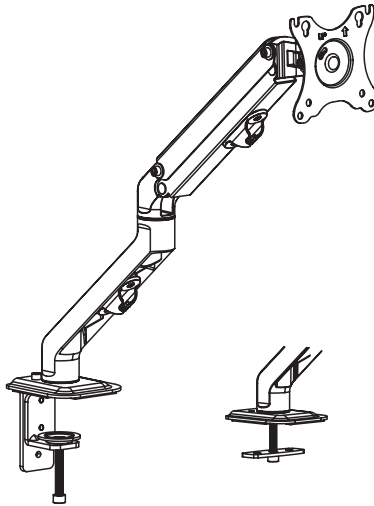




Mechanical Arm Single Monitor Desk Mount Instruction Manual



SKU: STAND-V100S



Scan the QR code with your mobile device or follow the link for helpful videos and specifications related to this product.

<https://vivo-us.com/products/stand-v100s>

GET IN TOUCH | Monday-Friday from 7:00am-7:00pm CST



help@vivo-us.com



www.vivo-us.com
Chat live with an agent!



309-278-5303

WARNING!

If you do not understand these directions, or if you have any doubts about the safety of the installation, please call a qualified technician. Check carefully to make sure there are no missing or defective parts. Improper installation may cause damage or serious injury. Do not use this product for any purpose that is not explicitly specified in this manual. Do not exceed weight capacity. We cannot be liable for damage or injury caused by improper mounting, incorrect assembly or inappropriate use.

TIPOVER WARNING

SERIOUS OR FATAL CRUSHING INJURIES CAN OCCUR FROM TIPOVER. TO HELP PREVENT TIPOVER:

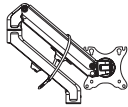
- NEVER ALLOW CHILDREN TO CLIMB, STAND, HANG, OR PLAY ON ANY PART OF MONITOR OR STAND.
- USE TIPOVER RESTRAINT OR ANCHOR STAND TO WALL

USE OF TIPOVER RESTRAINTS MAY ONLY REDUCE, BUT NOT ELIMINATE RISK OF TIPOVER.

WARNING: CHOKING HAZARD

SMALL PARTS - NOT FOR CHILDREN UNDER 3 YEARS. ADULT SUPERVISION IS REQUIRED.

PACKAGE CONTENTS



A (x1)
Arm



B (x1)
Base



C (x1)
Clamp



D (x1)
Clamp Disk



E (x2)
M6x8



F (x1)
3mm Allen
Wrench



G (x1)
5mm Allen
Wrench



H (x1)
Support Plate



M-A (x4)
M4x12



M-B (x4)
M5x12



M-C (x4)
D5 Washer

NOTE: SOME HARDWARE INCLUDED MAY NOT BE USED

TOOLS NEEDED



DO NOT EXCEED WEIGHT CAPACITY.

Failure to do so may result in serious injury.

4.4-15.4lbs
(2-7kg)

ASSEMBLY STEPS

STEP 1

OPTION A: Desk Clamp Installation

Assemble base (B) to clamp (C) using M6x8 bolts (E), and tighten with 5mm Allen wrench (G). Un-screw the large clamp bolt to the "open" position.

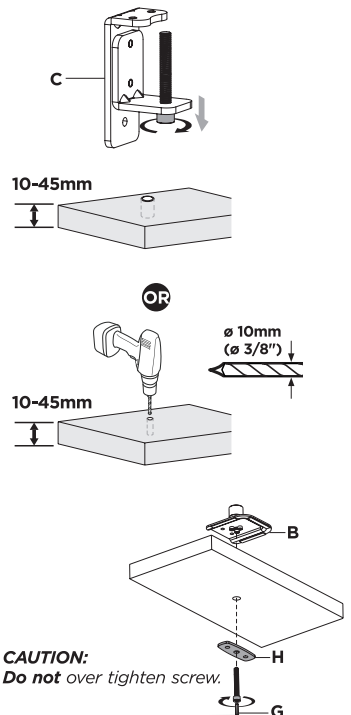
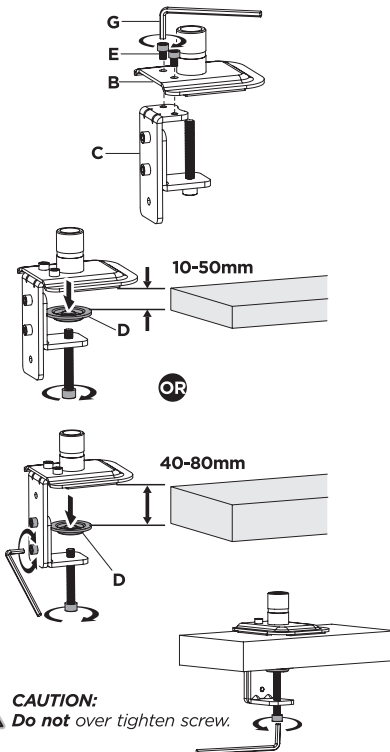
For 3/8" - 2" (10mm - 50mm) desk thickness, place clamp disk (D) onto the top of the clamp bolt. Place assembled base onto edge of desk and tighten using the 5mm Allen wrench (G).

For 1-1/2" - 3-1/8" (40mm - 80mm) desk thickness, remove the two bolts from the back of the clamp using the 5mm Allen wrench (G), and then reassemble clamp to the lower position. Place clamp disk (D) onto the top of the clamp bolt. Place assembled base onto edge of desk and tighten using the 5mm Allen wrench (G).

OPTION B: Grommet Base Installation

Remove large clamp bolt from clamp (C). If necessary, drill hole in desk using a 3/8" (10mm) drill bit. Secure base (B) to desk using clamp bolt with support plate (H), and tighten using the 5mm Allen wrench (G).

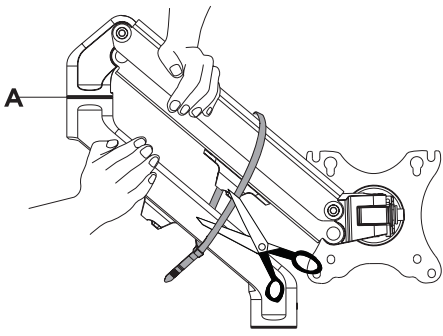
NOTE: Grommet option will fit a desk thickness of 3/8" - 1-3/4" (10mm - 45mm).



STEP 2

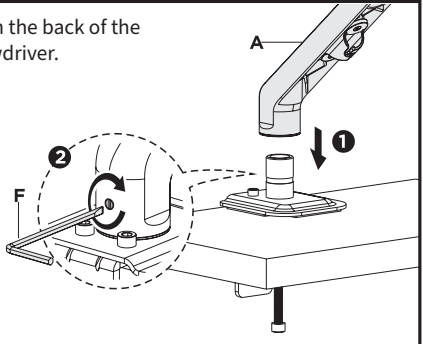
While holding arm (A) in the closed position, cut the shipping tie.

1. Firmly hold the two halves of the spring arm together and have another person cut off the cable tie from around the spring arm.
2. Slowly release the pressure on the spring arm and allow it to gradually stretch to its full extension.



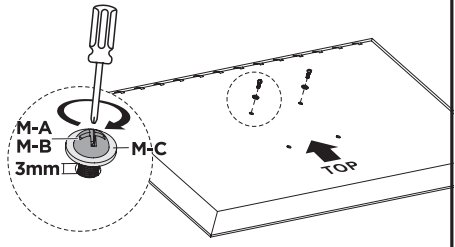
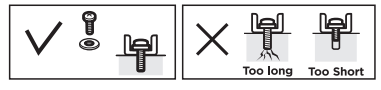
STEP 3

Place the arm (A) onto the base (B). Tighten the screw on the back of the arm using the 3mm Allen wrench (F) or a flat blade screwdriver.



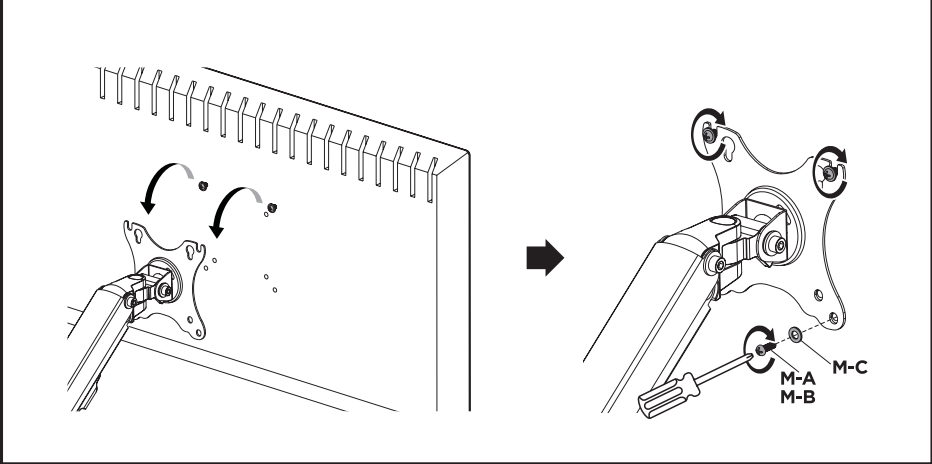
STEP 4

Attach two bolts (M-A or M-B) and washers (M-C) to top mounting holes of monitor, making sure to leave 1/8" (3mm) of threads exposed.



STEP 5

Align bolts installed to monitor with VESA plate. Secure using two more bolts (**M-A** or **M-B**) and washers (**M-C**) in the bottom two holes. Tighten all four bolts with a Phillips screwdriver.

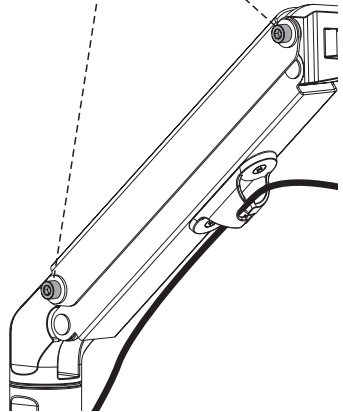


STEP 6

If the arm (**A**) is not able to maintain a lowered position, tighten bolts on the side of the arm using the 5mm Allen wrench (**G**). Use cable clips on the arm to organize cables.

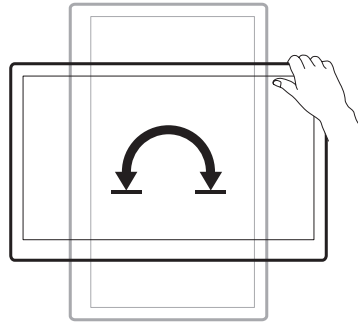
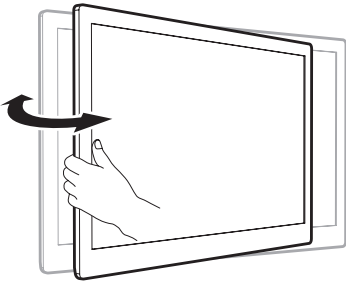
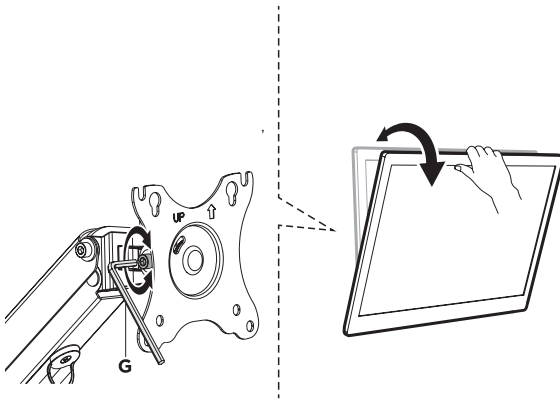


CAUTION: DO NOT loosen two screws that fixed the former arm as shown, or it may cause damage to the product.



STEP 7

Tighten or loosen the tilt joint using the 5mm Allen wrench (**G**). Adjust the monitor position as desired.





Open **Monday - Friday 7:00am - 7:00pm** CST,
our dedicated support team can offer immediate assistance with rapid response times. If any parts are received damaged or defective, please contact us. We are happy to replace parts to ensure you have a fully functioning product.


 help@vivo-us.com

AVG. RESPONSE TIME (*within office hrs*): **1HR 8M**

- 23% within < 15m
- 38% within < 30m
- 61% within < 1hr
- 83% within < 2hr
- 92% within < 3hr

 www.vivo-us.com
Chat live with an agent!

AVG. RESOLUTION TIME (*within office hrs*): **< 15 M**

 309-278-5303

AVG. RESOLUTION TIME (*within office hrs*): **5M 4S**