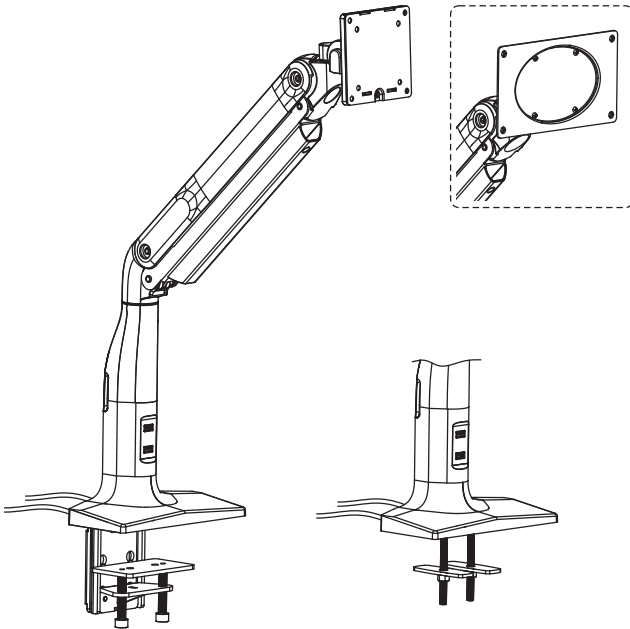




Pneumatic Arm Single Ultra Wide Monitor Desk Mount

Instruction Manual



SKU: STAND-V100HU



Scan the QR code with your mobile device or follow the link for helpful videos and specifications related to this product.
<https://vivo-us.com/products/stand-v100hu>

GET IN TOUCH | Monday-Friday from 7:00am-7:00pm CST



help@vivo-us.com



www.vivo-us.com
Chat live with an agent!



309-278-5303

 **WARNING!**

If you do not understand these directions, or if you have any doubts about the safety of the installation, please call a qualified technician. Check carefully to make sure there are no missing or defective parts. Improper installation may cause damage or serious injury. Do not use this product for any purpose that is not explicitly specified in this manual. Do not exceed weight capacity. We cannot be liable for damage or injury caused by improper mounting, incorrect assembly or inappropriate use.

 **TIPOVER WARNING**

SERIOUS OR FATAL CRUSHING INJURIES CAN OCCUR FROM TIPOVER. TO HELP PREVENT TIPOVER:

- NEVER ALLOW CHILDREN TO CLIMB, STAND, HANG, OR PLAY ON ANY PART OF MONITOR OR STAND.
- USE TIPOVER RESTRAINT OR ANCHOR STAND TO WALL

USE OF TIPOVER RESTRAINTS MAY ONLY REDUCE, BUT NOT ELIMINATE RISK OF TIPOVER.

 **WARNING: CHOKING HAZARD**

SMALL PARTS - NOT FOR CHILDREN UNDER 3 YEARS. ADULT SUPERVISION IS REQUIRED.

DO NOT EXCEED WEIGHT CAPACITY.

Failure to do so may result in serious injury.



PACKAGE CONTENTS



A (x1)
Base



B (x1)
Arm



C (x1)
Rear Cover



D (x1)
Clamp Brace



E (x1)
Grommet
Base Plate



F (x1)
Clamp Plate



G (x1)
Clamp Bracket



H (x1)
200x100
VESA Plate



I (x1)
VESA Plate



J (x2)
Support Plate



S-A (x2)
M10x63mm
Clamp Bolt



S-B (x2)
M8x105mm
Carriage Bolt



S-C (x2)
M8 Washer



S-D (x2)
M8 Nut



S-E (x4)
M4x8mm
Screw



S-F (x4)
M6x12mm
Screw



S-G (x1)
Spacer



S-H (x4)
M4 Nut



S-I (x1)
M8x25mm
Screws



S-J (x1)
Arm
Washer



M-A (x4)
M4x12mm
Screw



M-B (x4)
M5x12mm



M-C (x4)
M5 Washer



T-A (x1)
Wrench



T-B (x1)
4mm Allen
Wrench



T-C (x1)
6mm Allen
Wrench

TOOLS NEEDED

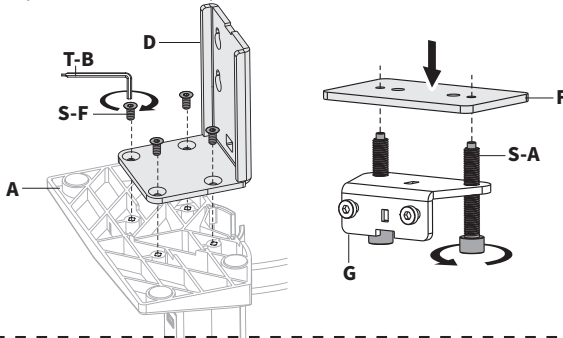


NOTE: SOME HARDWARE INCLUDED MAY NOT BE USED

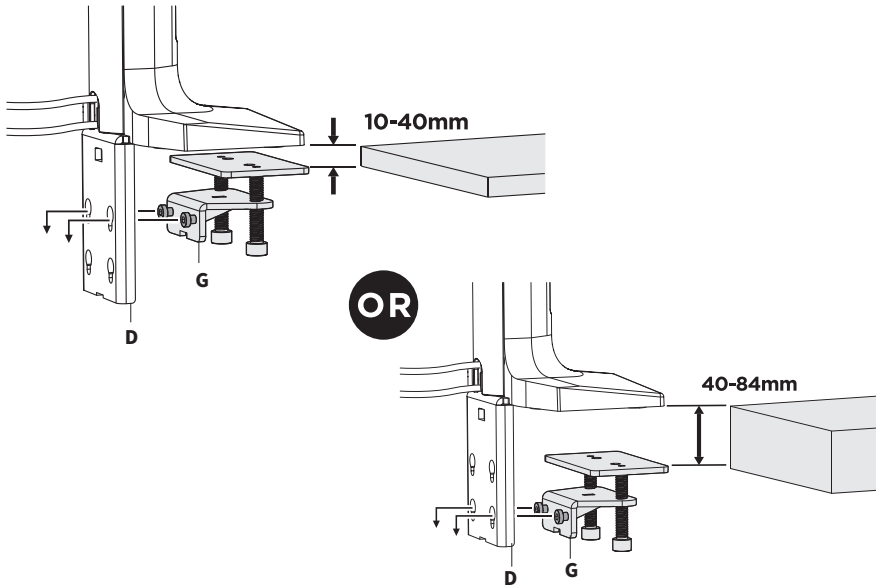
ASSEMBLY STEPS

STEP 1 - Option A - Clamp Mount

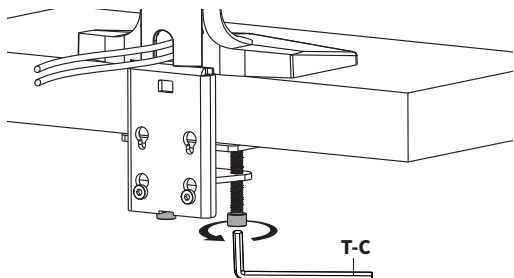
Attach Clamp Brace (**D**) to Base (**A**) using M6x12mm Screws (**S-F**), and tighten with 4mm Allen Wrench (**T-B**). Insert M10x63mm Clamp Bolts (**S-A**) into Clamp Bracket (**G**) as shown, then place Clamp Plate (**F**) on top of assembled clamp.



Install Clamp Bracket (**G**) to upper holes of Clamp Brace (**D**) for a desk thickness of 3/8" to 1-1/2" (10 - 40mm), or to lower holes for a desk thickness of 1-1/2" to 3-1/4" (40 - 84mm).

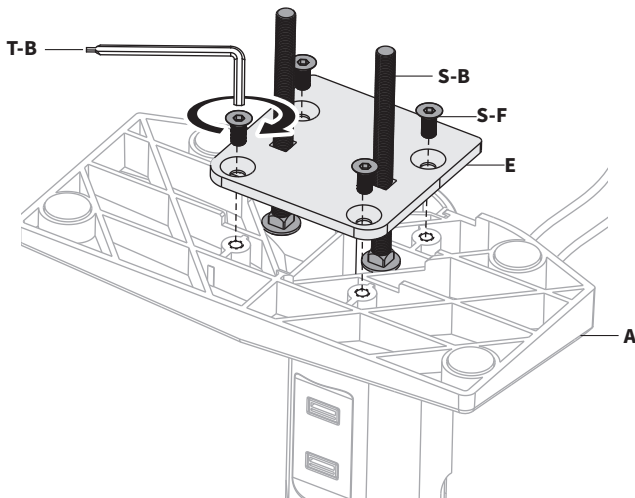


Place assembled base on edge of desk and tighten clamp bolts evenly with 6mm Allen Wrench (**T-C**).

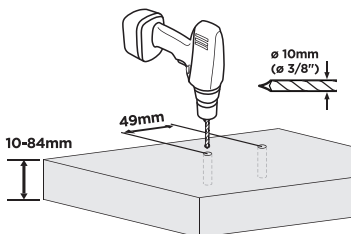
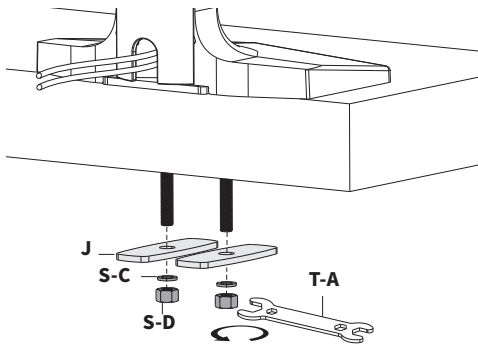


STEP 1 - Option B - Grommet

Place M8x105mm Carriage Bolt (**S-B**) into square holes in Grommet Base Plate (**E**). Attach Grommet Base Plate to Base (**A**) using M6x12mm Screws (**S-F**), and tighten with 4mm Allen Wrench (**T-B**)



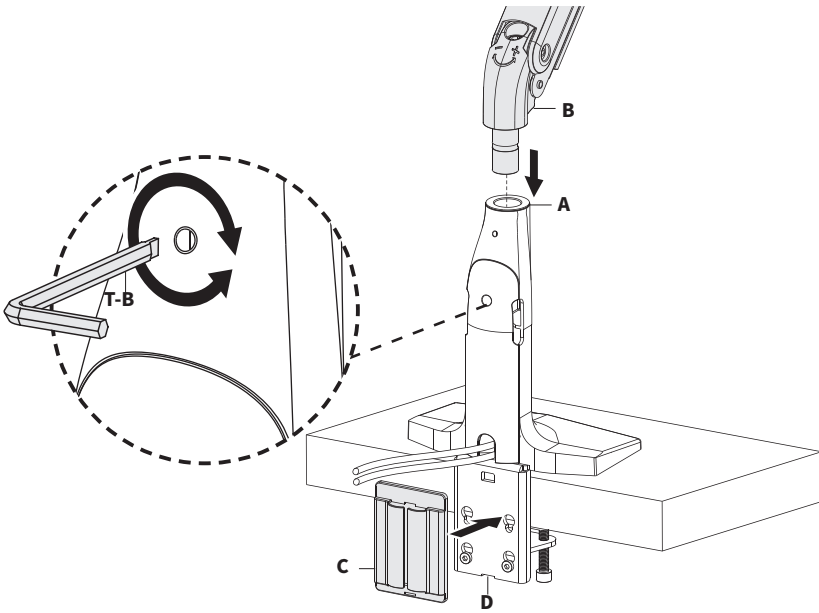
Place assembled base over cable grommet hole in desktop, and tighten using Support Plate (**J**), M8 Washers (**S-C**) and M8 Nuts (**S-D**), and tighten with Wrench (**T-A**).



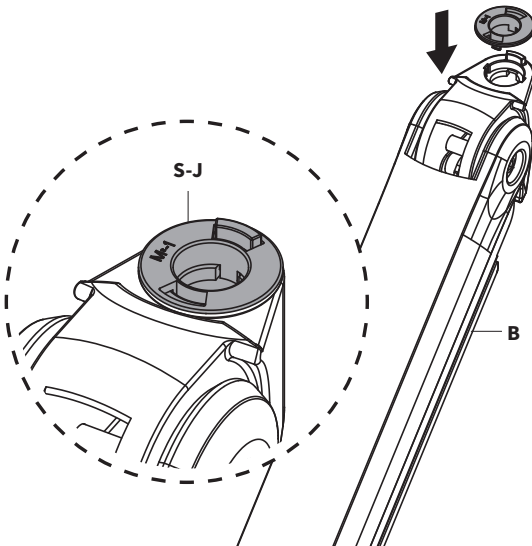
If a grommet hole isn't present, drill two 3/8" (10mm) holes 49mm apart through the desktop.

STEP 2

Insert the Arm (B) into the socket of the Base (A), then secure using the 4mm Allen Wrench (T-B) or a flatblade screwdriver. Install Rear Cover (C) to Clamp Brace (D) if the clamp option was used.

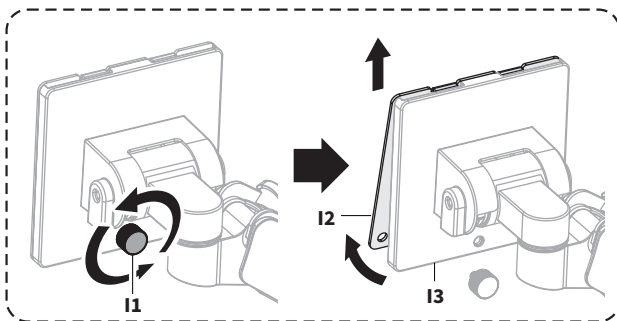
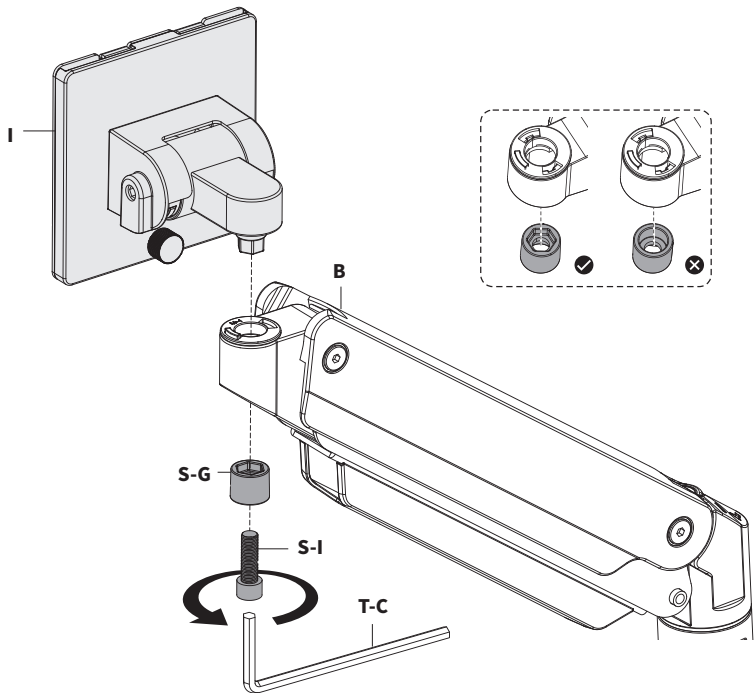


Install Arm Washer (S-J) to the top of Arm (B).



STEP 3

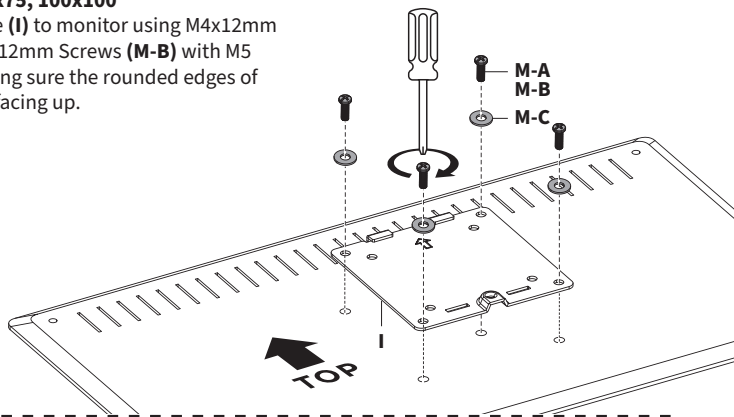
Connect VESA Plate **(I)** to Arm **(B)** using Spacer **(S-G)**, M8x25mm Screw **(S-I)**, and 6mm Allen Wrench **(T-C)**. Ensure that hexagon side of Spacer is facing upward towards VESA Plate **(I)**. Remove Thumbscrew **(I1)** from back of VESA Plate **(I)**. Separate Front VESA Plate **(I2)** from Back VESA Plate **(I3)**. Set aside.



STEP 4

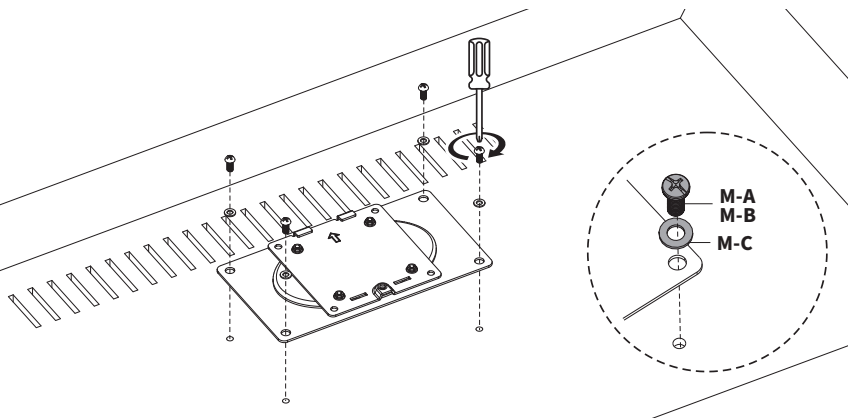
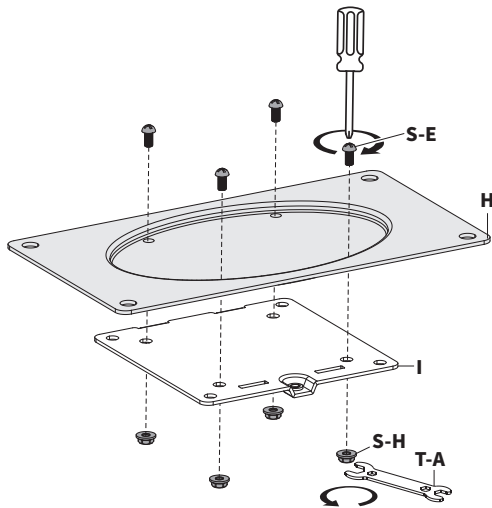
OPTION A: VESA 75x75, 100x100

Install the VESA Plate (I) to monitor using M4x12mm Screws (M-A) or M5x12mm Screws (M-B) with M5 Washers (M-C), making sure the rounded edges of the rear bracket are facing up.



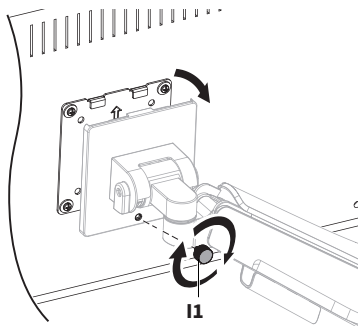
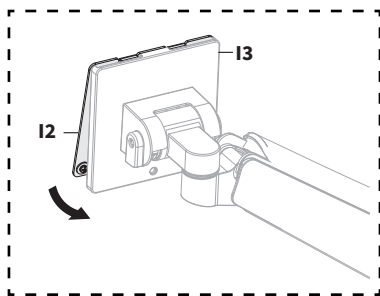
OPTION B: VESA 200x100

Install the 200x100 VESA Plate (H) to the VESA Plate (I) using the M4x8mm Screws (S-E) and M4 Nuts (S-H), tightening with Wrench (T-A) and a Phillips screwdriver. Mount assembled VESA plate to monitor using M4x12mm Screws (M-A) or M5x12mm Screws (M-B) with M5 Washers (M-C), making sure the rounded edges of the rear bracket are facing up.



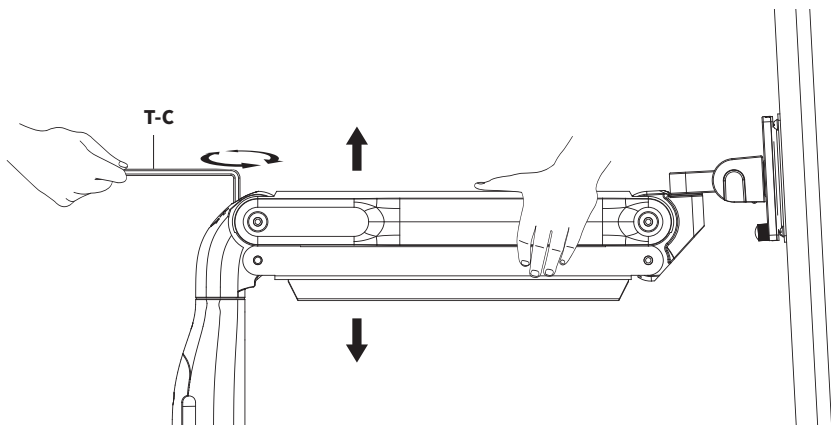
STEP 5

To mount the monitor, begin by lining up the tabs on Front VESA Plate (**I2**) with the slots on Back VESA Plate (**I3**). Insert tabs into slots and re-install Thumbscrew (**G1**) into Back VESA Plate (**G3**) to secure.

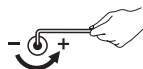


STEP 6

While holding the arm in the horizontal position, adjust the gas spring tension using the 6mm Allen Wrench (**T-C**).



CAUTION - To avoid damage to the monitor and mount, always keep the arm in a horizontal position while making adjustments.



If the arm **drops**, turn the adjustment screw counter-clockwise until it stays in a horizontal position.



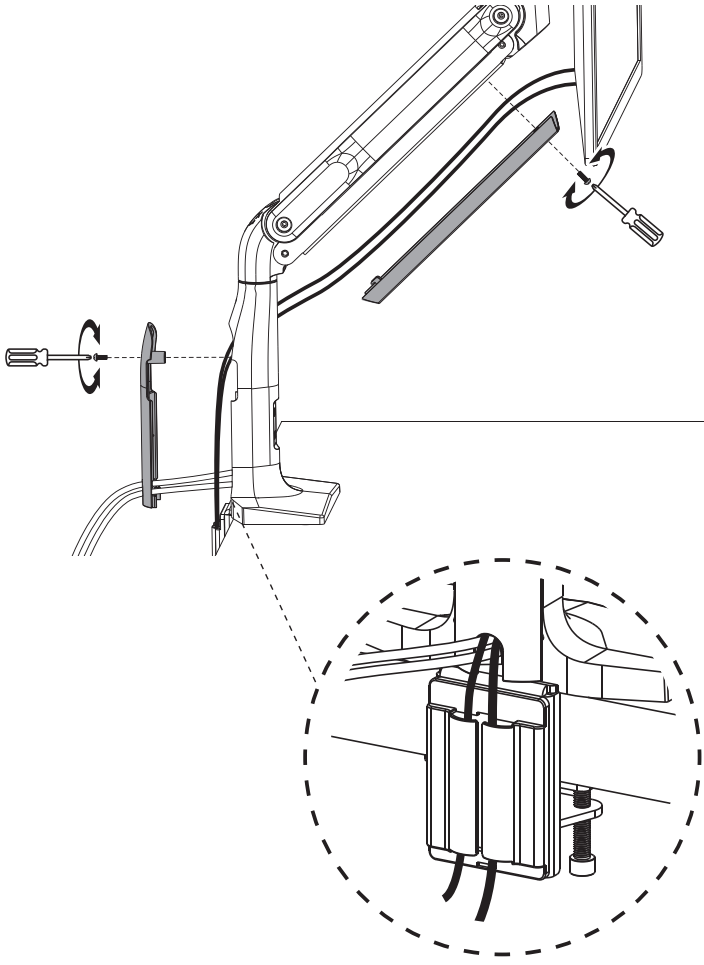
If the arm **rises**, turn the adjustment screw clockwise until it stays in a horizontal position.



DO NOT over tighten the screws.

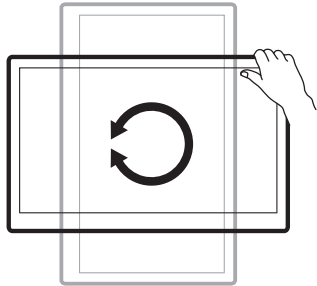
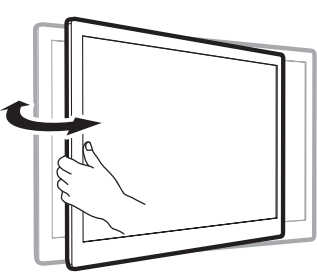
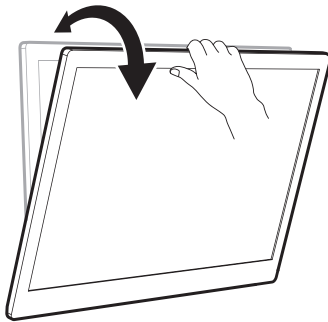
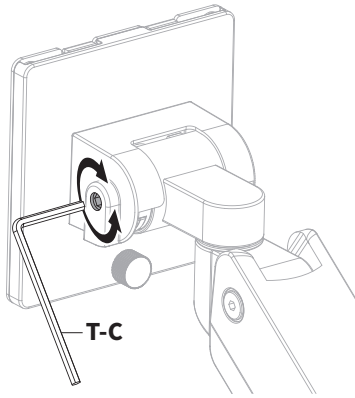
STEP 7

Remove cable covers from base and adjustable arm. Organize cables and reinstall cable covers to base and adjustable arm.



Adjust as Desired

To adjust tilt tension, use 6mm Allen Wrench (**T-C**).





Love your new VIVO setup and want to share?
Tag us in your photo! [@vivo_us](#)

LAST UPDATED: 06/14/2023
REV2



Open **Monday - Friday 7:00am - 7:00pm** CST,
our dedicated support team can offer immediate assistance with rapid response times. If any parts are received damaged or defective, please contact us. We are happy to replace parts to ensure you have a fully functioning product.



309-278-5303

AVG. RESOLUTION TIME (*within office hrs*): **5M 4S**



www.vivo-us.com
Chat live with an agent!

AVG. RESOLUTION TIME (*within office hrs*): **< 15 M**



help@vivo-us.com

AVG. RESPONSE TIME (*within office hrs*): **1HR 8M**

- 23% within < 15m
- 38% within < 30m
- 61% within < 1hr
- 83% within < 2hr
- 92% within < 3hr

FOR MORE VIVO PRODUCTS, CHECK OUT OUR WEBSITE AT: www.vivo-us.com