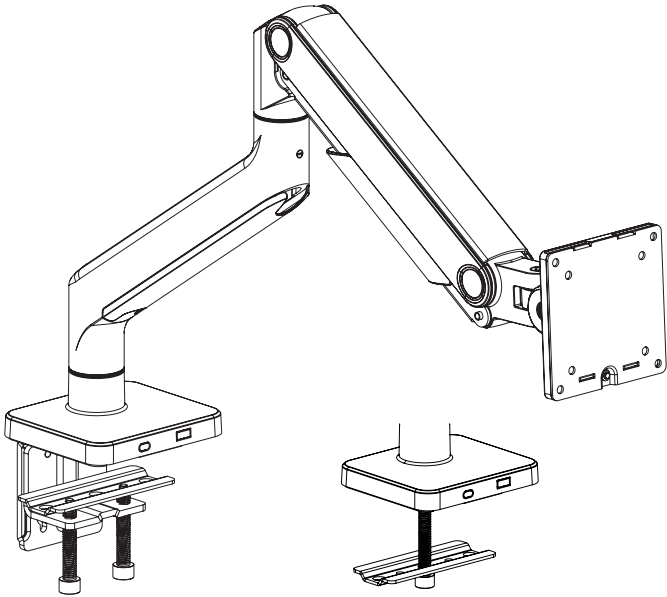




---

## Mechanical Arm Single Ultrawide Monitor Desk Mount

### Instruction Manual



**SKU: STAND-V100E**



Scan the QR code with your mobile device or follow the link for helpful videos and specifications related to this product.

<https://vivo-us.com/products/stand-v100e>

---

GET IN TOUCH | Monday-Friday from 7:00am-7:00pm CST



help@vivo-us.com



www.vivo-us.com  
*Chat live with an agent!*



309-278-5303

# **WARNING!**

If you do not understand these directions, or if you have any doubts about the safety of the installation, please call a qualified technician. Check carefully to make sure there are no missing or defective parts. Improper installation may cause damage or serious injury. Do not use this product for any purpose that is not explicitly specified in this manual. Do not exceed weight capacity. We cannot be liable for damage or injury caused by improper mounting, incorrect assembly or inappropriate use.

## **TIPOVER WARNING**

SERIOUS OR FATAL CRUSHING INJURIES CAN OCCUR FROM TIPOVER. TO HELP PREVENT TIPOVER:

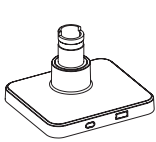
- NEVER ALLOW CHILDREN TO CLIMB, STAND, HANG, OR PLAY ON ANY PART OF MONITOR OR STAND.
- USE TIPOVER RESTRAINT OR ANCHOR STAND TO WALL

**USE OF TIPOVER RESTRAINTS MAY ONLY REDUCE, BUT NOT ELIMINATE RISK OF TIPOVER.**

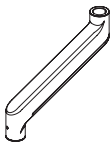
## **WARNING: CHOKING HAZARD**

SMALL PARTS - NOT FOR CHILDREN UNDER 3 YEARS. ADULT SUPERVISION IS REQUIRED.

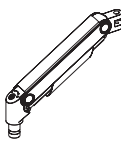
### PACKAGE CONTENTS



**A (x1)**  
Base



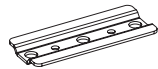
**B (x1)**  
Lower Arm



**C (x1)**  
Spring Arm



**D (x1)**  
VESA Adapter



**E (x1)**  
Clamp Plate



**F (x1)**  
Clamp Brace



**G (x1)**  
Clamp



**S-A (x1)**  
M8 Nut



**S-B (x4)**  
M6x12mm Screw



**S-C (x1)**  
M8x35mm Screw



**S-D (x2)**  
M10x63mm Screw



**M-A (x4)**  
M4x12mm Screw



**M-B (x4)**  
M5x12mm Screw



**M-C (x4)**  
M5 Washer



**T-A (x1)**  
4mm Allen Wrench



**T-B (x1)**  
6mm Allen Wrench

**NOTE:** NOT ALL HARDWARE INCLUDED WILL BE USED

### TOOLS NEEDED



**DO NOT EXCEED WEIGHT CAPACITY.**

Failure to do so may result in serious injury.

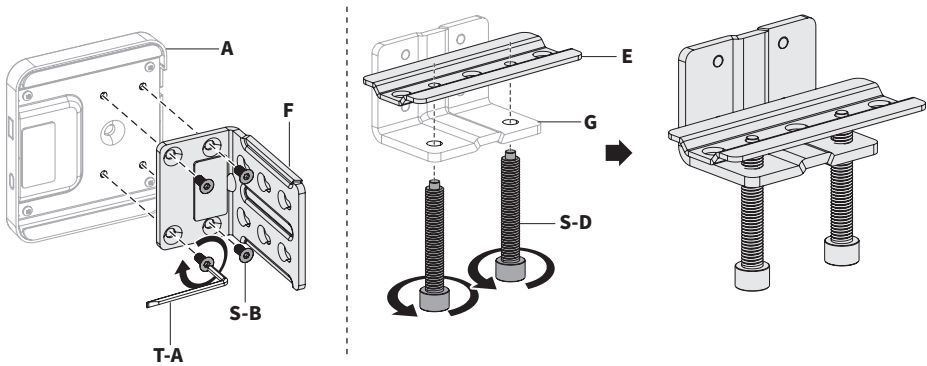


# ASSEMBLY STEPS

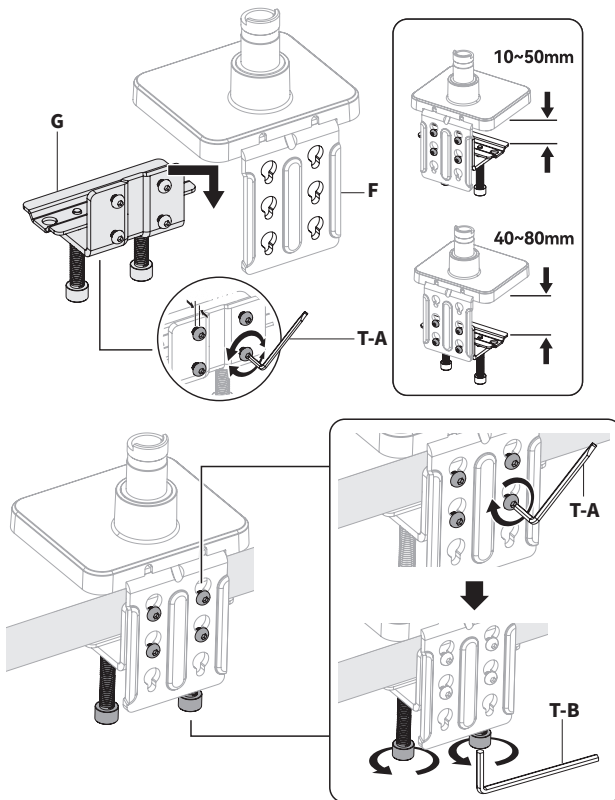
## STEP 1

### OPTION A: Clamp Installation

Attach Clamp Brace (F) to Base (A) using M6x12mm Screws (S-B) and tighten with 4mm Allen Wrench (T-A). Thread M10x63mm Screws (S-D) into Clamp (G) and place Clamp Plate (E) on top.



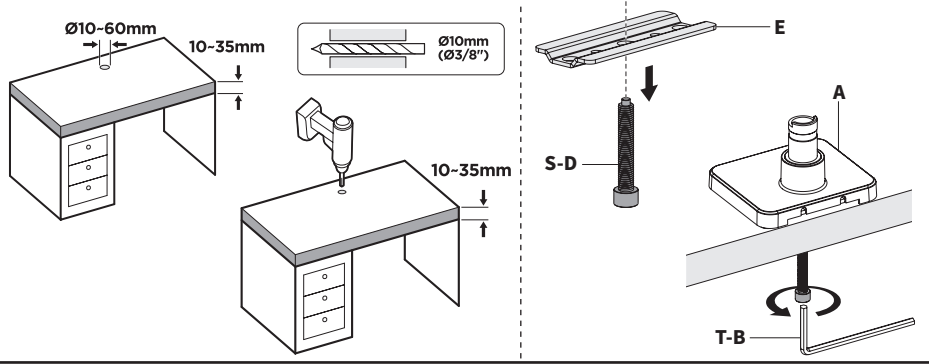
Loosen bolts on back of Clamp (G) using 4mm Allen Wrench (T-A), leaving 6mm of thread exposed. For a desk thickness of 3/8" to 2" (10 - 50mm), hang assembled clamp into top 4 slots of Clamp Brace (F), or for a desk thickness of 1.5" to 3" (40 - 80mm), into lower 4 slots. Tighten using 4mm Allen Wrench (T-B). Secure to the desktop using 6mm Allen Wrench (T-A).



## STEP 1 (Continued)

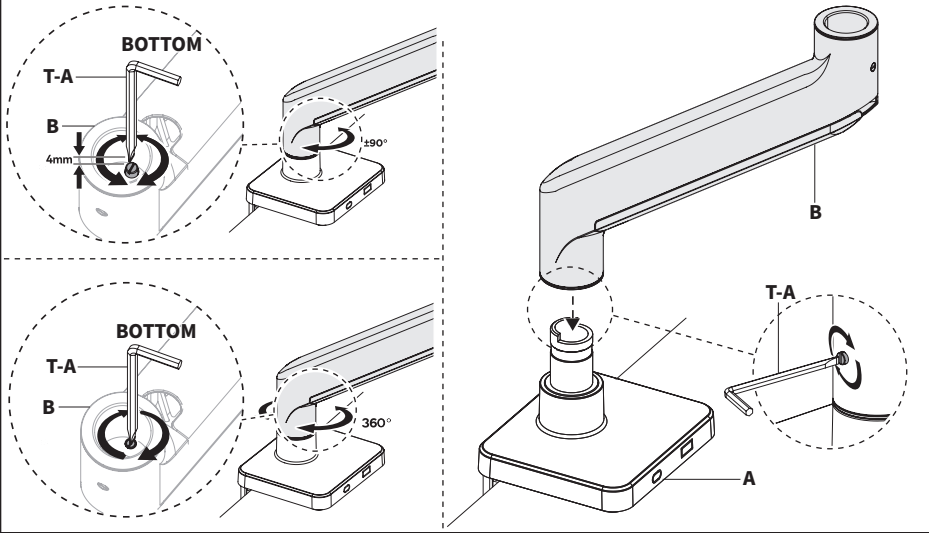
### OPTION B: Grommet Base Installation

Mark drill holes using the larger outer holes on Clamp Plate (E), drill two 3/8" (10mm) holes. Insert M10x63mm Screws (S-D) with Clamp Plate (E) up through the underside of the desk and tighten to Base (A) using the 6mm Allen Wrench (T-B).



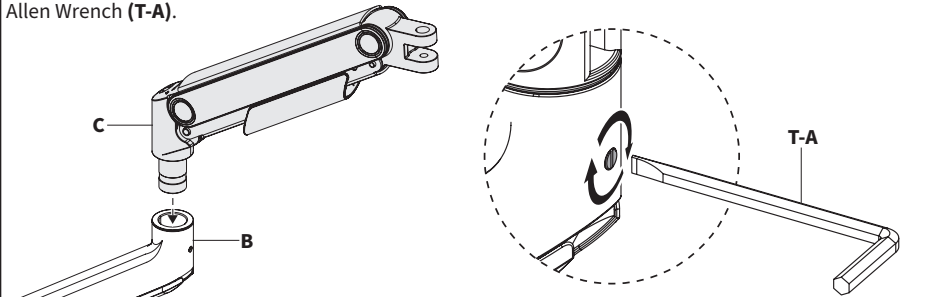
## STEP 2

To limit Lower Arm (B) rotation to 90°, adjust the set screw located inside of the opening in the bottom of Lower Arm (B). Back the screw off 5-6 turns, which is approximately 5mm (3/16") using 4mm Allen Wrench (T-A). For full rotation, fully tighten the set screw. Place Lower Arm (B) on top of Base (A), and secure by turning the lower set screw in back with 4mm Allen Wrench (T-A).



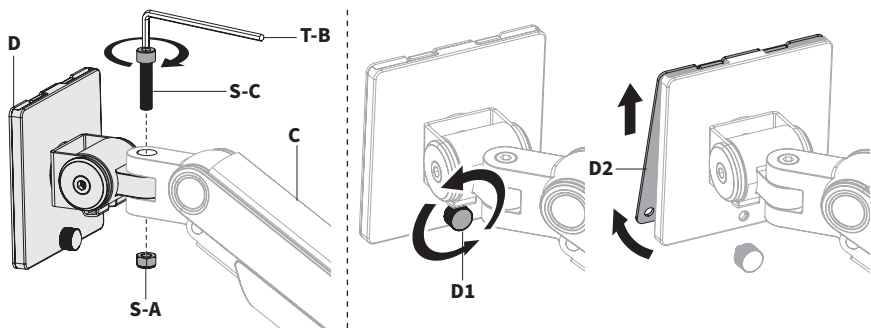
## STEP 3

Place Spring Arm (C) on top of Lower Arm (B), and secure by turning the set screw in back with 4mm Allen Wrench (T-A).



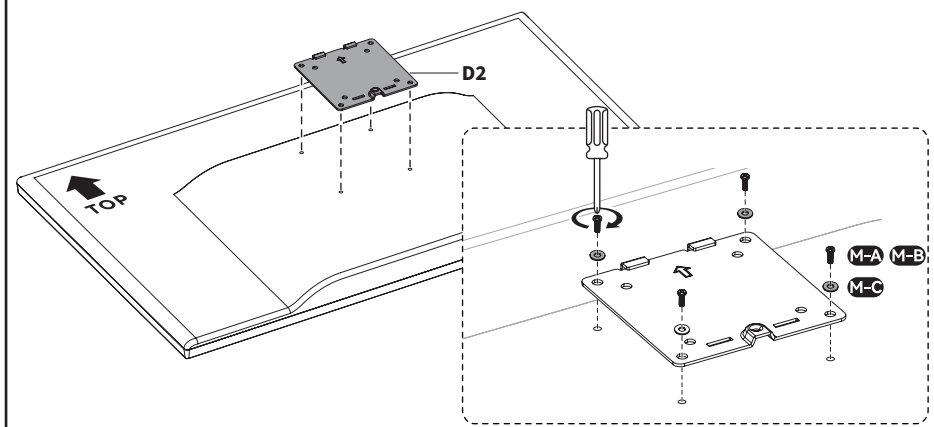
## STEP 4

Attach VESA Adapter (**D**) using M8x35mm Screws (**S-C**) and M8 Nuts (**S-A**) on Spring Arm (**C**) using 6mm Allen Wrench (**T-B**). Unscrew Thumbscrew (**D1**) on VESA Adapter (**D**) and remove VESA Plate (**D2**).



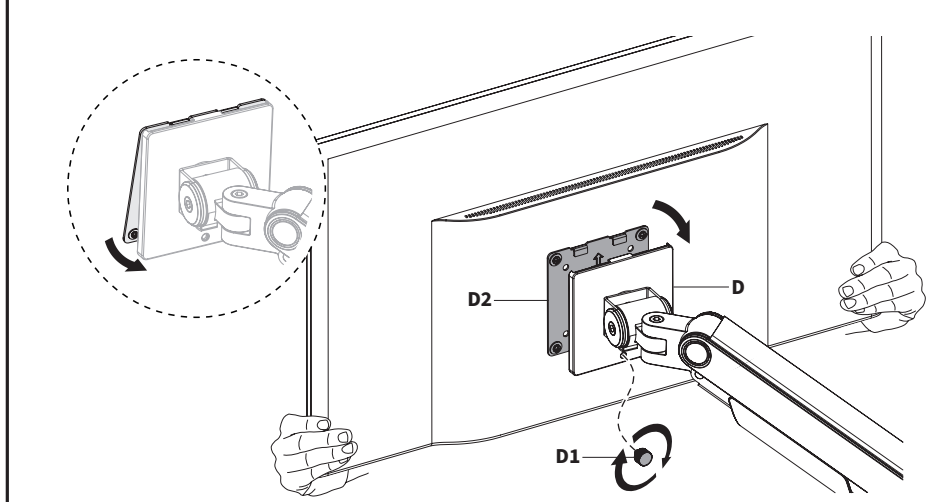
## STEP 5

Install the VESA Plate (**D2**) to monitor using M4x12mm Screws (**M-A**) or M5x12mm Screws (**M-B**) with M5 Washers (**M-C**), making sure the arrow in back is pointing up.



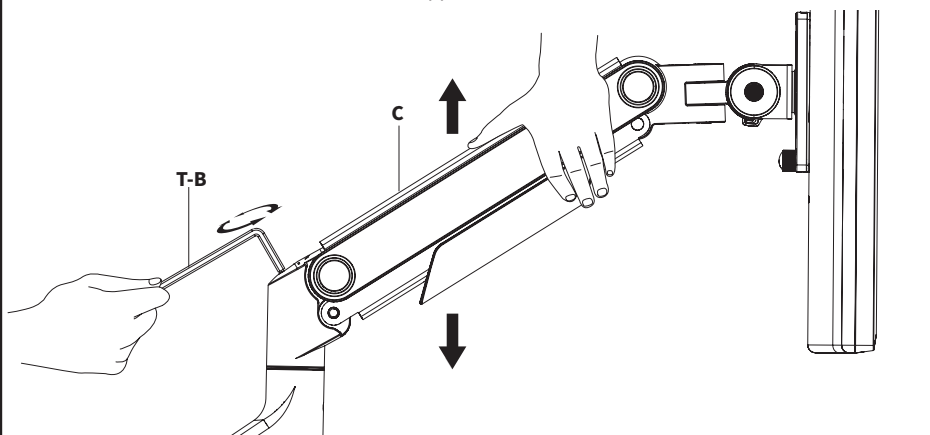
## STEP 6

Hang VESA Plate (**D2**) on VESA Adapter (**D**) and secure using Thumbscrew (**D1**).



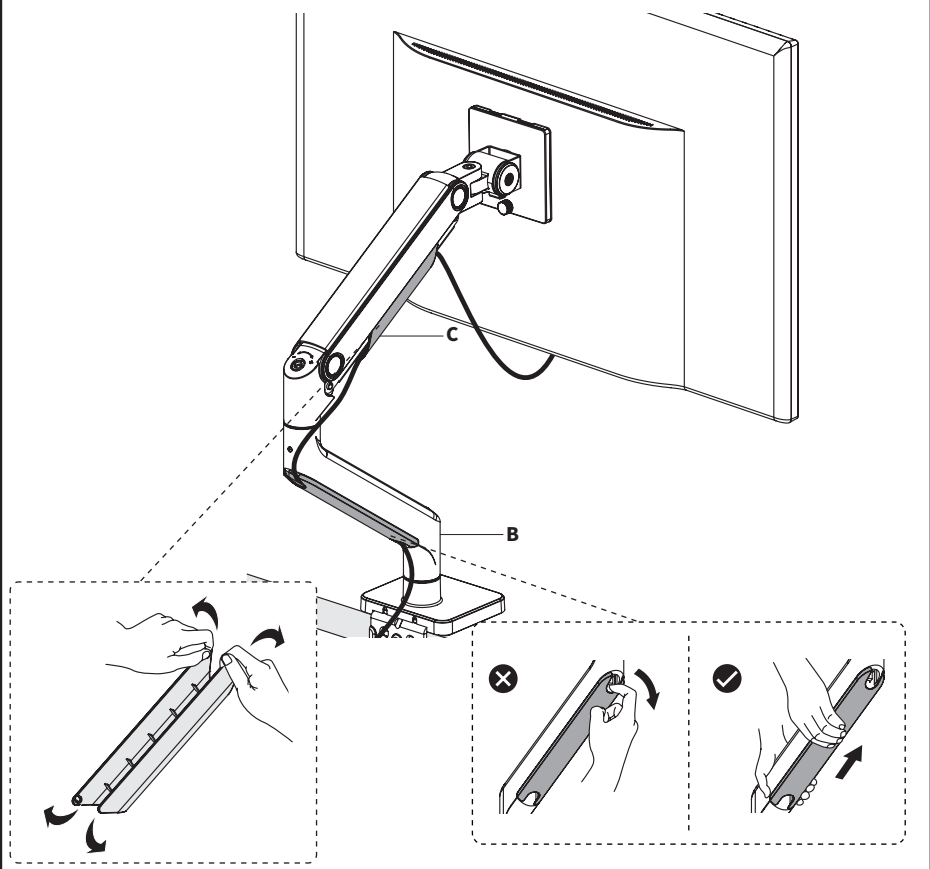
## STEP 7

If needed, adjust Spring Arms (**C**) to support the monitors using the 6mm Allen wrench (**T-B**). Turn the screw in back counter-clockwise to decrease support, and clockwise to increase.



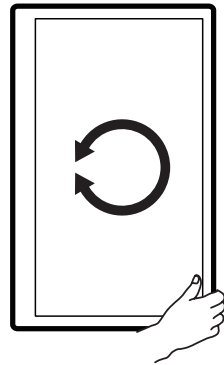
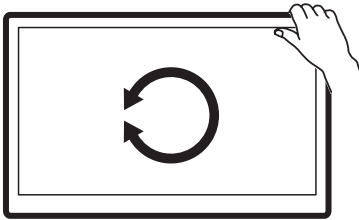
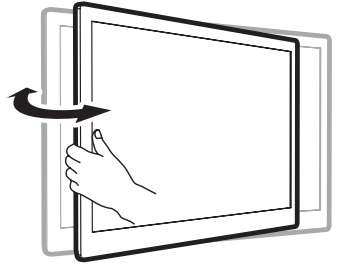
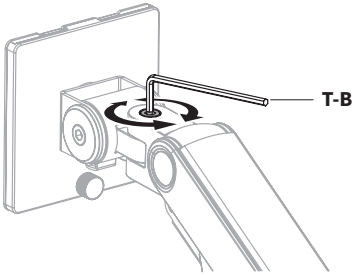
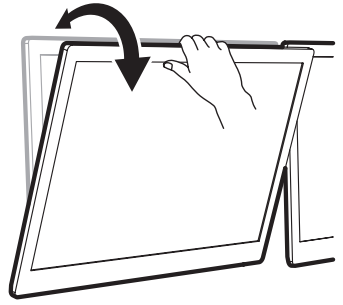
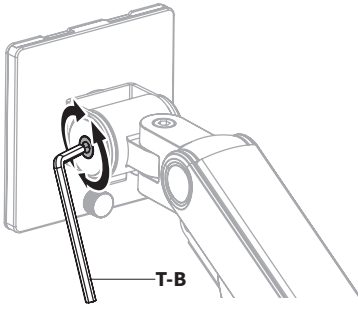
## STEP 8

Remove cable cover on Spring Arm (**C**) by pulling the sides away from the arm to unclip them. Slide cable cover on Lower Arm (**B**) forward to remove it. Manage cables in cable covers and re-install.

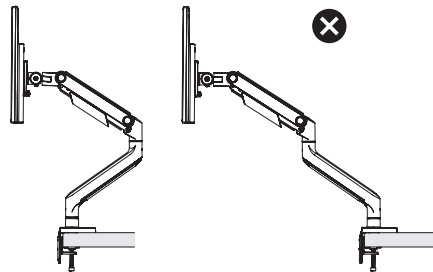
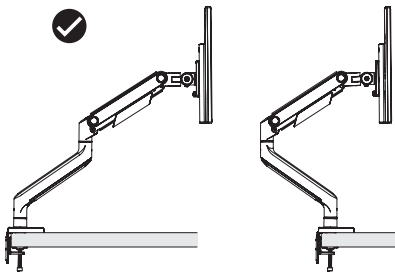


# Adjust as Desired

Adjust tilt and swivel using 6mm Allen Wrench (T-B).



For safety, please do not extend the monitor behind the desk. This may cause instability and tip the desk over.





Love your new VIVO setup and want to share?  
Tag us in your photo! **@vivo\_us**

LAST UPDATED: 11/10/23  
REV1  
v1.0



Open **Monday - Friday 7:00am - 7:00pm** CST,  
our dedicated support team can offer immediate assistance with rapid response times. If any parts are received damaged or defective, please contact us. We are happy to replace parts to ensure you have a fully functioning product.



309-278-5303

**AVG. RESOLUTION TIME** (*within office hrs*): **5M 4S**



[www.vivo-us.com](http://www.vivo-us.com)  
*Chat live with an agent!*

**AVG. RESOLUTION TIME** (*within office hrs*): **< 15 M**



[help@vivo-us.com](mailto:help@vivo-us.com)

**AVG. RESPONSE TIME** (*within office hrs*): **1HR 8M**

- 23% within < 15m
- 38% within < 30m
- 61% within < 1hr
- 83% within < 2hr
- 92% within < 3hr

FOR MORE VIVO PRODUCTS, CHECK OUT OUR WEBSITE AT: [www.vivo-us.com](http://www.vivo-us.com)