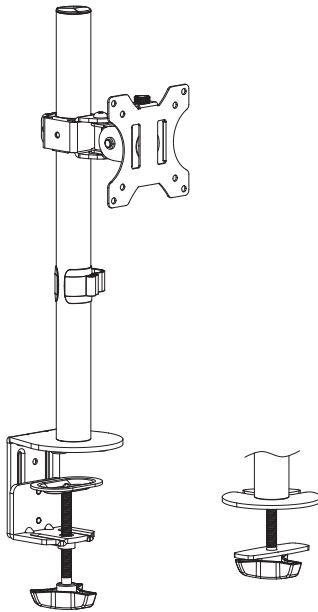




Single Ultrawide Monitor Desk Mount

Instruction Manual



SKU: STAND-V100C



Scan the QR code with your mobile device or follow the link for helpful videos and specifications related to this product.

<https://vivo-us.com/products/stand-v100C>

GET IN TOUCH | Monday-Friday from 7:00am-7:00pm CST



help@vivo-us.com



www.vivo-us.com
Chat live with an agent!



309-278-5303

⚠️ WARNING!

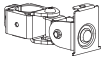
If you do not understand these directions, or if you have any doubts about the safety of the installation, please call a qualified technician. Check carefully to make sure there are no missing or defective parts. Improper installation may cause damage or serious injury. Do not use this product for any purpose that is not explicitly specified in this manual. Do not exceed weight capacity. We cannot be liable for damage or injury caused by improper mounting, incorrect assembly or inappropriate use.

⚠️ WARNING: CHOKING HAZARD
SMALL PARTS - NOT FOR CHILDREN UNDER 3 YEARS. ADULT SUPERVISION IS REQUIRED.

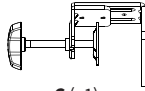
PACKAGE CONTENTS



A (x1)
VESA Plate



B (x1)
VESA Bracket



C (x1)
Clamp



D (x1)
Pole



E (x1)
Pole Cap



F (x1)
Cable Clip



G (x1)
Grommet Plate



H (x5)
Pad



I (x1)
Support Plate



S-A (x3)
M6x16mm Screw



S-B (x1)
M6x10mm Thumbscrew



M-A (x4)
M4x12mm Screw



M-B (x4)
M4x16mm Screw



M-C (x4)
M5x12mm Screw



M-D (x4)
M5x16mm Screw



M-E (x4)
M5 Washer



M-F (x4)
Spacer



T-A (x1)
4mm Allen Wrench



T-B (x1)
6mm Allen Wrench

TOOLS NEEDED



Phillips
Screwdriver

NOTE: SOME HARDWARE MAY NOT BE USED

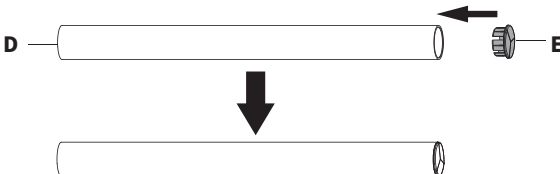
DO NOT EXCEED WEIGHT CAPACITY.
Failure to do so may result in serious injury.



ASSEMBLY STEPS

STEP 1

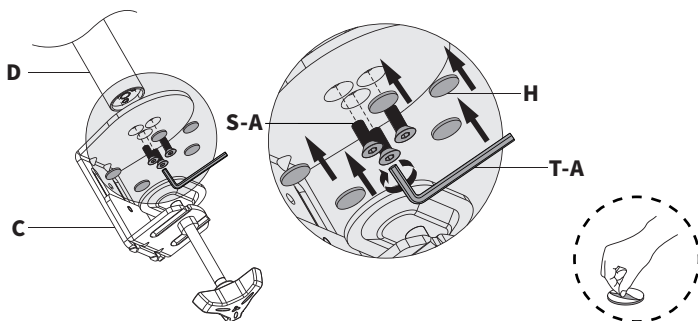
Press Pole Cap (**E**) into Pole (**D**), using the side without internal threading.



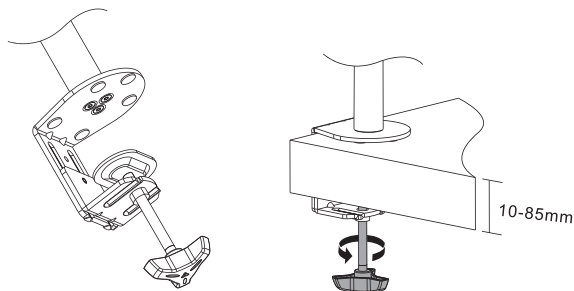
STEP 2 (Option A)

Clamp Installation

Install Pole (D) to Clamp (C) using M6x16mm Screws (S-A) and 4mm Allen Wrench (T-A). Remove protective film from Pads (H) and apply them to Clamp (C) as shown.



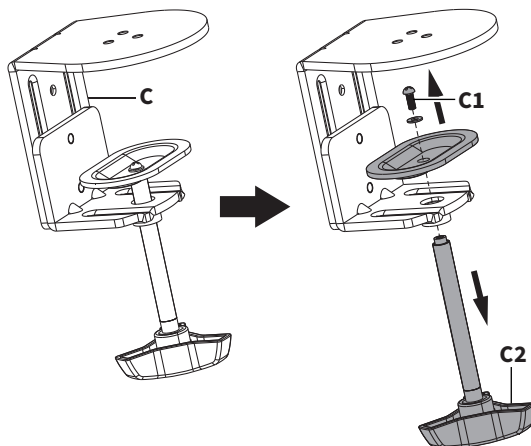
Secure clamp assembly to desktop by tightening hand bolt.



STEP 2 (Option B)

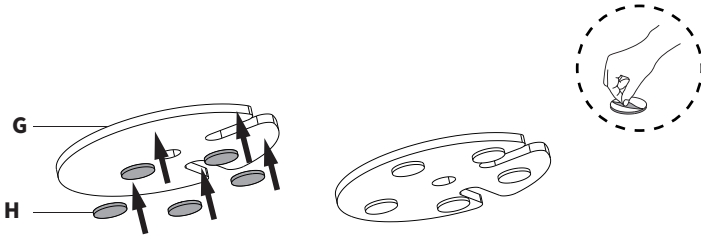
Grommet Installation

Remove Screw (C1) from Clamp Bolt (C2) and remove Clamp Bolt (C2) from Clamp (C).

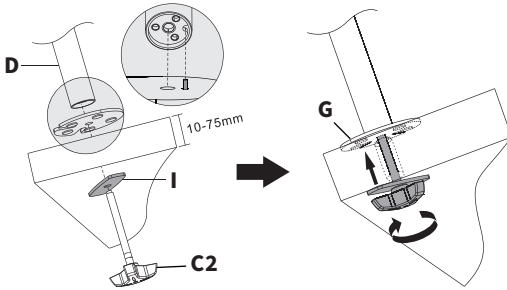


STEP 2 (Option B Continued)

Remove protective film from Pads (**H**) and apply them to the bottom side of Grommet Plate (**G**).

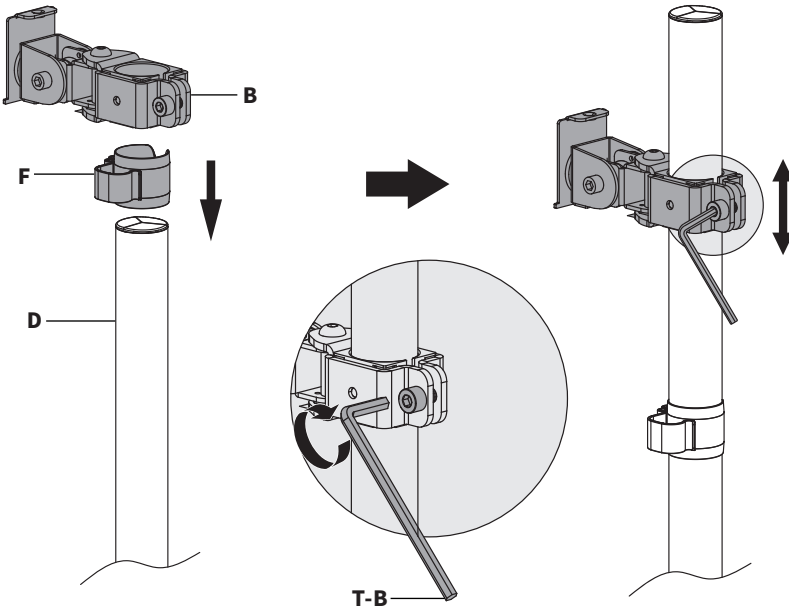


Align the pin on top of Grommet Plate (**G**) with the small hole on the bottom of Pole (**D**) and position the parts over the grommet hole. Attach to the desktop using Support Plate (**I**) and Clamp Bolt (**C2**). If there is no existing grommet hole available, drill a 13/32" (10mm) hole or larger in your desired mounting location.



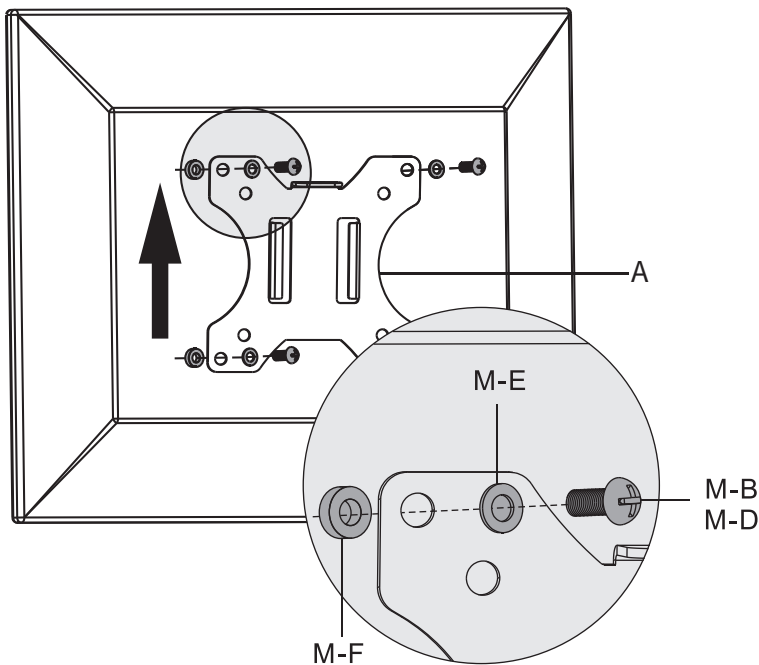
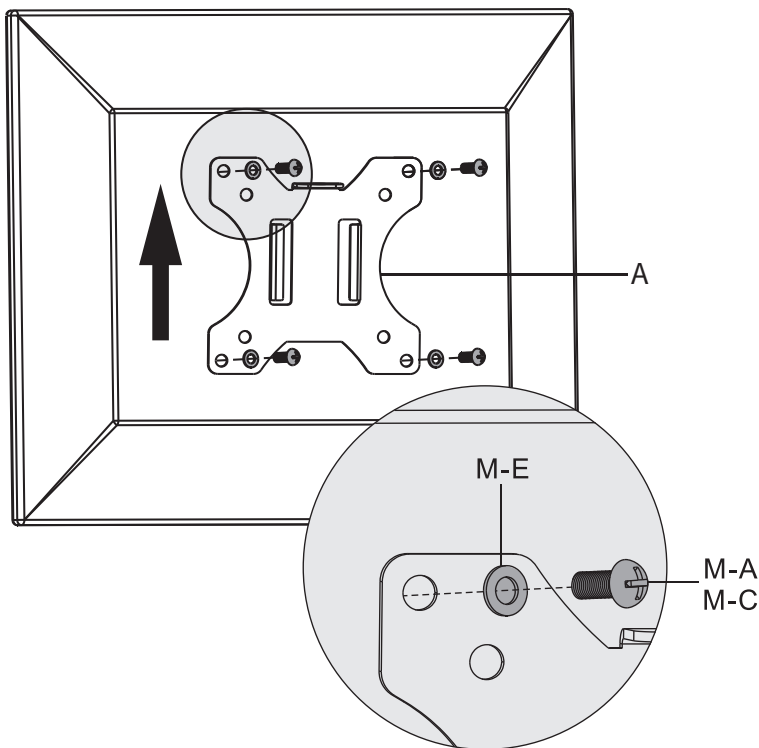
STEP 3

Slide Pole Cable Clip (**F**) and VESA Bracket (**B**) onto Pole (**D**). Adjust the height location of VESA Bracket (**B**) and tighten using the 6mm Allen Wrench (**T-B**).



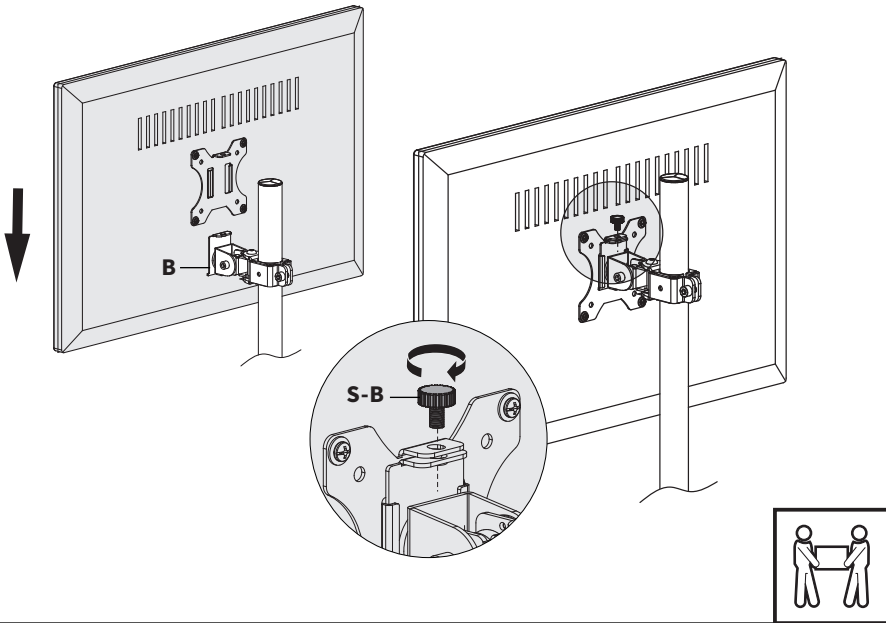
STEP 4

Mount VESA Plate (A) to monitor using appropriate Screws (M-A thru M-D), M5 Washers (M-E), and Spacers (M-F).



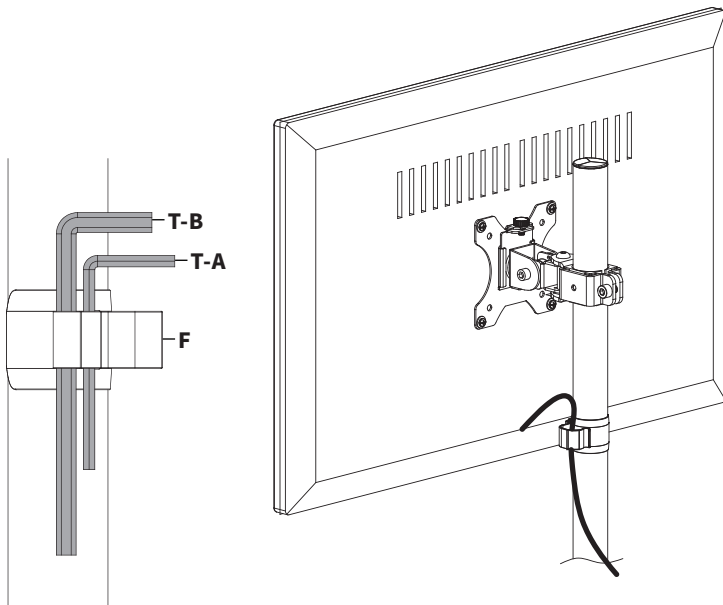
STEP 5

Slide monitor with VESA Plate onto VESA Bracket (**B**) and secure using M6x10mm Thumbscrew (**S-B**).



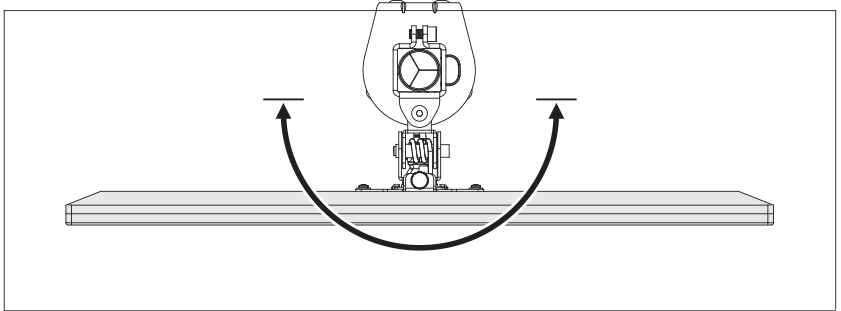
STEP 6

Use Cable Clip (**F**) to route cables. Store Allen Wrenches (**T-A**, **T-B**) in slots of Clip.



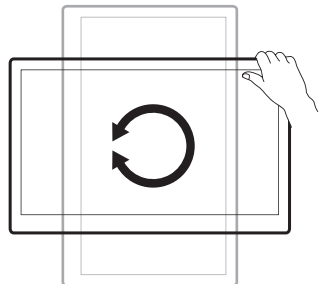
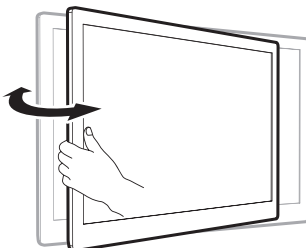
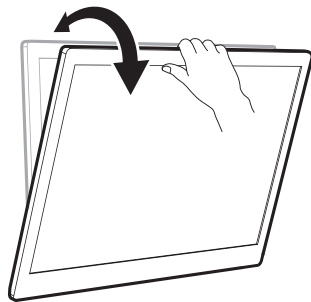
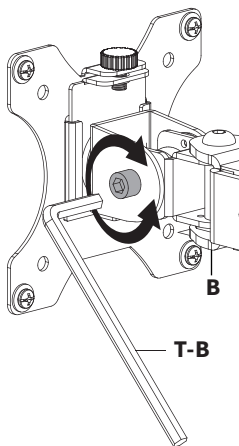
WARNING

Keep the displays positioned over the desktop within the arrow range shown.



ADJUST AS DESIRED

Use 6mm Allen Wrench (**T-B**) to loosen or tighten Monitor Bracket (**B**) tension.





Open **Monday - Friday 7:00am - 7:00pm** CST,
our dedicated support team can offer immediate assistance with rapid response times. If any parts are received damaged or defective, please contact us. We are happy to replace parts to ensure you have a fully functioning product.



309-278-5303

AVG. RESOLUTION TIME (*within office hrs*): **5M 4S**



www.vivo-us.com
Chat live with an agent!

AVG. RESOLUTION TIME (*within office hrs*): **< 15 M**



help@vivo-us.com

AVG. RESPONSE TIME (*within office hrs*): **1HR 8M**

- 23% within < 15m
- 38% within < 30m
- 61% within < 1hr
- 83% within < 2hr
- 92% within < 3hr