

Dual Ultrawide Monitor Desk Stand

SKU: STAND-V038FG
Instruction Manual

Assembly Video & Product Info
www.vivo-us.com/products/stand-v038fg



! CAUTION! !

If you do not understand these directions, or if you have any doubts about the safety of the installation, please contact our product support team at 309-278-5303 or help@vivo-us.com for further assistance. Check carefully to make sure there are no missing or defective parts. Improper installation may cause damage or serious injury. Do not use this product for any purpose that is not explicitly specified in this manual. Do not exceed weight capacity. We cannot be liable for damage or injury caused by improper mounting, incorrect assembly or inappropriate use.



WARNING: CHOKING HAZARD

SMALL PARTS - NOT FOR CHILDREN UNDER 3 YEARS. ADULT SUPERVISION IS REQUIRED.



DO NOT EXCEED WEIGHT CAPACITY

FAILURE TO DO SO MAY RESULT IN SERIOUS INJURY.

We're Here for You

Open **Monday - Friday 7:00am - 7:00pm** CST, our dedicated support team can offer immediate assistance with rapid response times. If any parts are received damaged or defective, please contact us. We are happy to replace parts to ensure you have a fully functioning product.



Give us a Call:
309-278-5303

AVG. RESOLUTION TIME (*within office hrs*): **5M 4S**



Chat Us:
www.vivo-us.com

AVG. RESOLUTION TIME (*within office hrs*): **< 15 M**

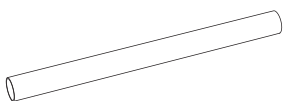


Email Us:
help@vivo-us.com

AVG. RESPONSE TIME (*within office hrs*): **1HR 8M**

- 23% within < 15m
- 38% within < 30m
- 61% within < 1hr
- 83% within < 2hr
- 92% within < 3hr

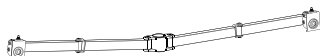
Package Contents



A (x1)
Pole



B (x1)
Base



C (x1)
Arm



D (x2)
VESA Plate



E (x1)
Pole Cap



F (x1)
Cover



G (x1)
Upper Mounting
Plate



H (x1)
Lower Mounting
Plate



I (x4)
Foot



J (x4)
Arm Cable
Clips



K (x1)
Pole Cable
Clip

Included Hardware & Tools



S-A (x3)
M6x16mm Flat
Head Screw



S-B (x2)
M6 Cap Nut



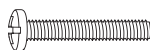
S-C (x4)
M6x10mm Low
Profile Screw



S-D (x4)
M6 Washer



M-A (x8)
M4x12mm
Thumbscrew



M-B (x8)
M4x30mm
Screw



M-C (x8)
Spacer



T-A (x1)
3mm Allen Wrench



T-B (x1)
4mm Allen Wrench



T-C (x1)
6mm Allen Wrench

Tools Needed:



**Phillips
Screwdriver**

Weight Capacity:

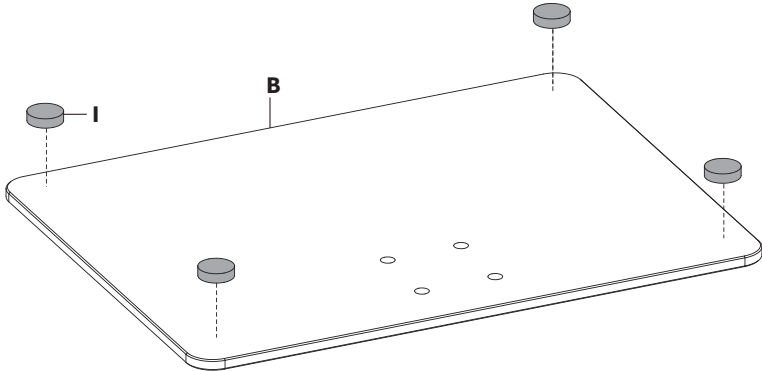


Per Arm

ASSEMBLY STEPS

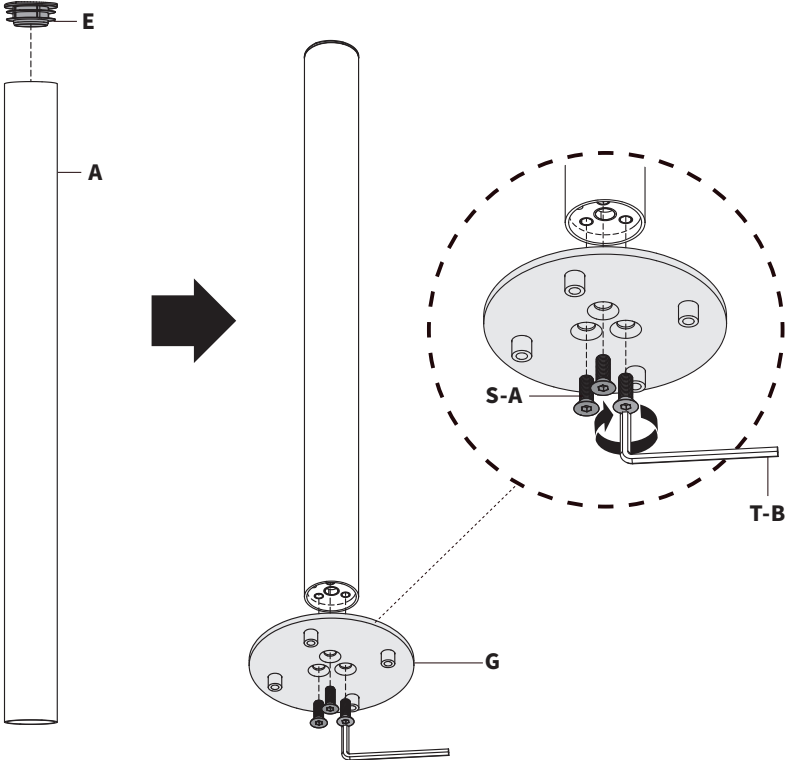
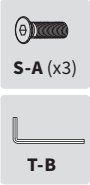
STEP 1

Remove the protective film off of Feet **(I)** and apply them to the corners on underside of Base **(B)**.



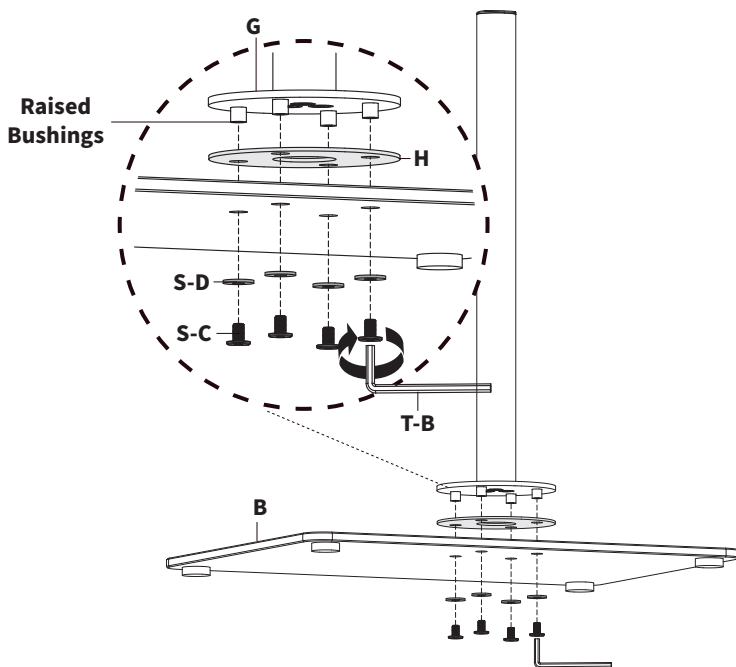
STEP 2

Press Pole Cap **(E)** into the top of Pole **(A)**. Attach Upper Mounting Plate **(G)** to the bottom of Pole using M6x16mm Flat Head Screws **(S-A)**, tightening with 4mm Allen Wrench **(T-B)**.

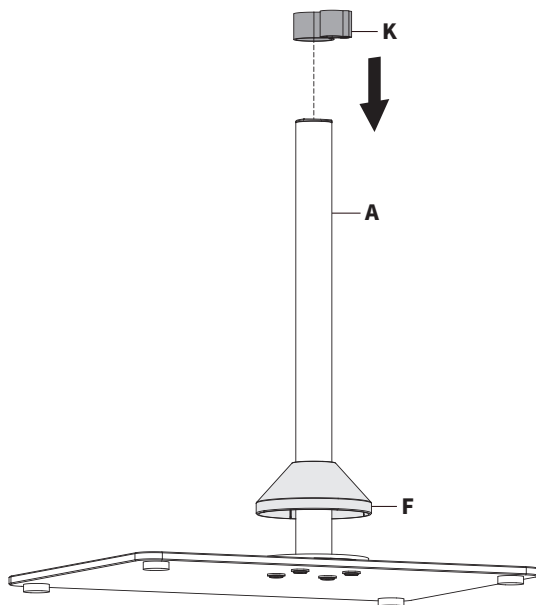


STEP 3

Press the **Raised Bushings** on Lower Mounting Plate (**H**) into the holes on Upper Mounting Plate (**G**). Attach the pole assembly to the top of Base (**B**) using M6x10mm Low-Profile Screws (**S-C**) and M6 Washers (**S-D**). Tighten using 4mm Allen Wrench (**T-B**).

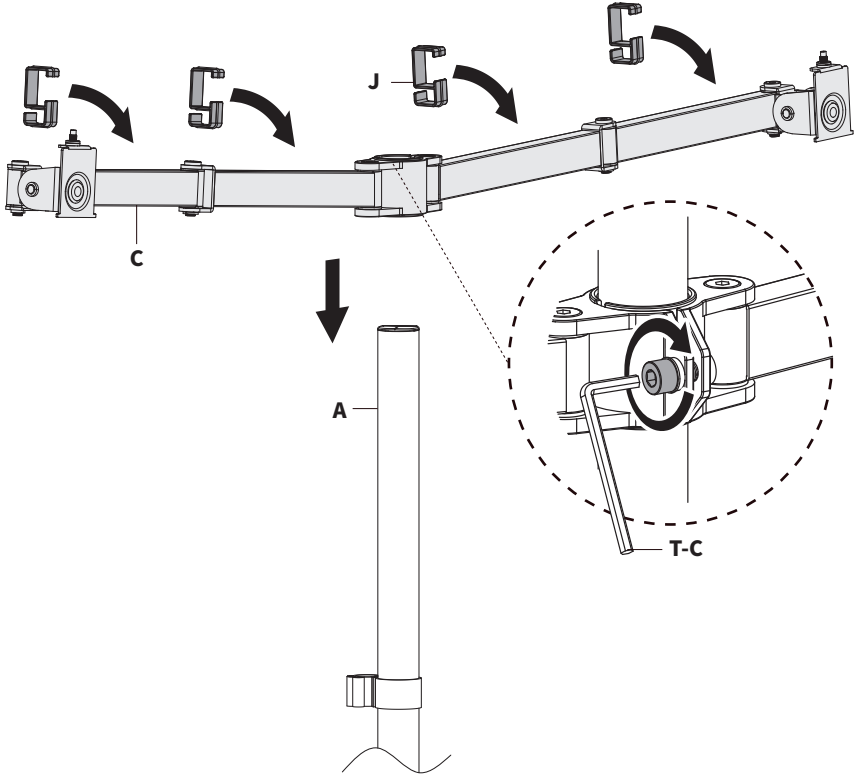


Slide Cover (**F**) and Pole Cable Clip (**K**) onto Pole (**A**).



STEP 4

Slide Arm (C) onto Pole (A) and secure at desired height using 6mm Allen Wrench (T-C). Attach Arm Cable Clips (J) onto each arm segment on Arm (C).



STEP 5

Install VESA Plates (**D**) onto your monitors using M4x12mm Thumbscrews (**M-A**) or M4x30mm Screws (**M-B**) and Spacers (**M-C**) if needed. Lightly tighten with a Phillips screwdriver.



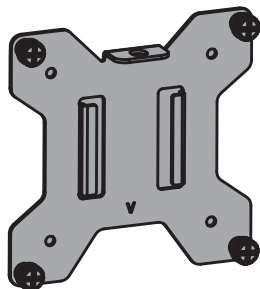
M-A (x4)
- OR -



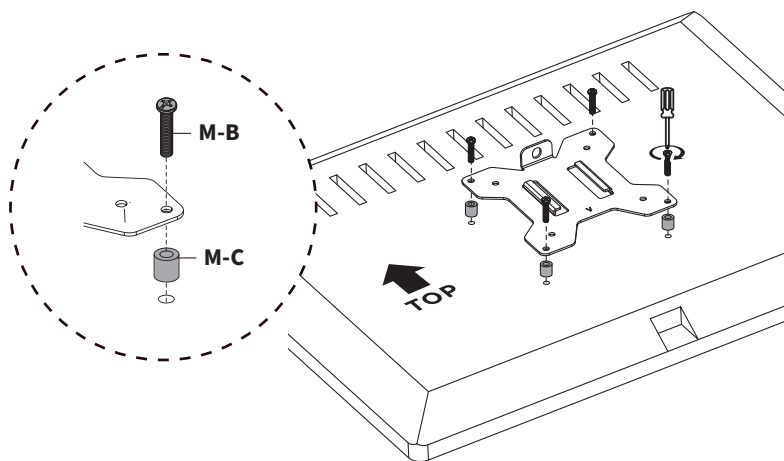
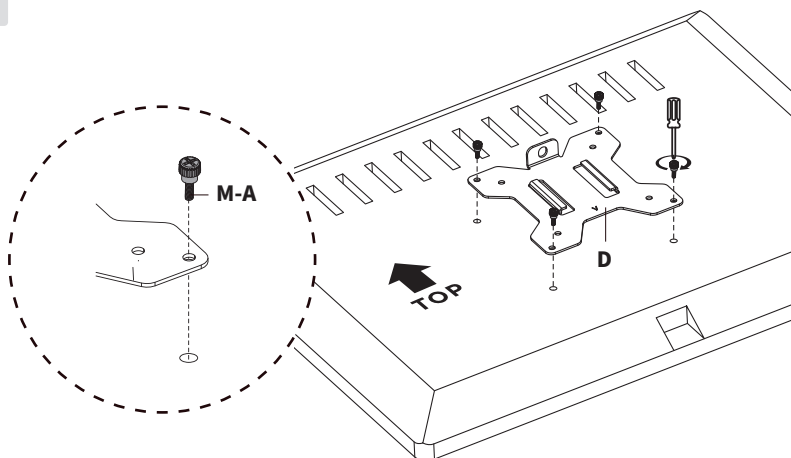
M-B (x4)



M-C (x4)



Installation Tip:
The “V” on VESA Plate should be pointing down towards bottom edge of monitor.

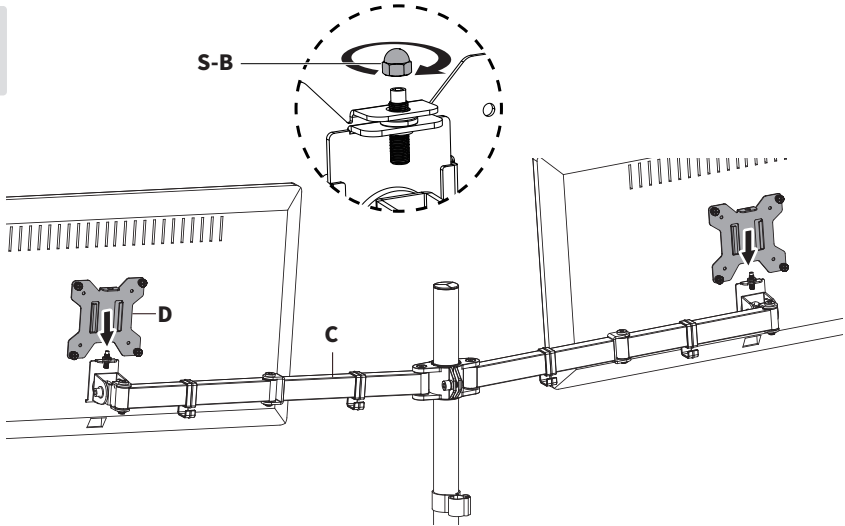


STEP 6

Slide your monitors with VESA Plate **(D)** onto Arm **(C)**. Secure the VESA Plates **(D)** to the Arm using M6 Cap Nuts **(S-B)**.

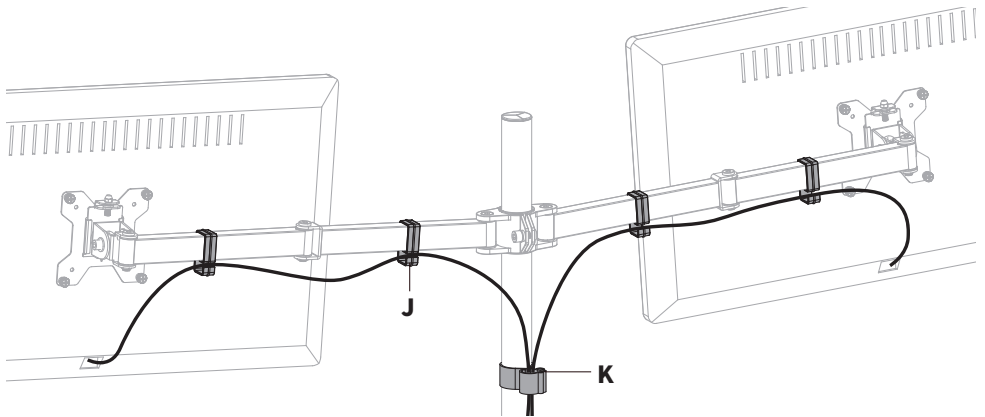


S-B (x2)



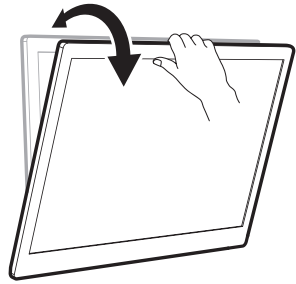
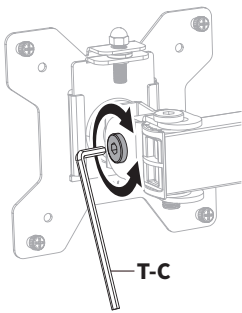
STEP 7

Route cables through Arm and Pole Cable Clips **(J,K)**.

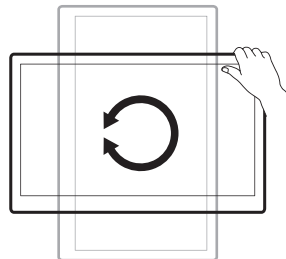
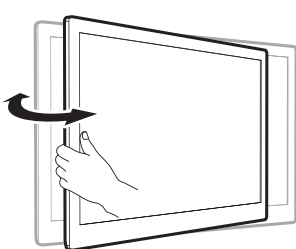
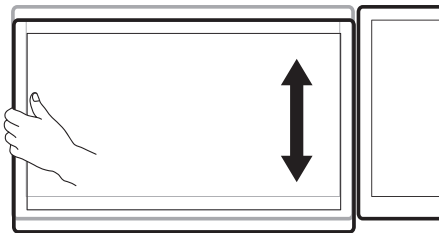
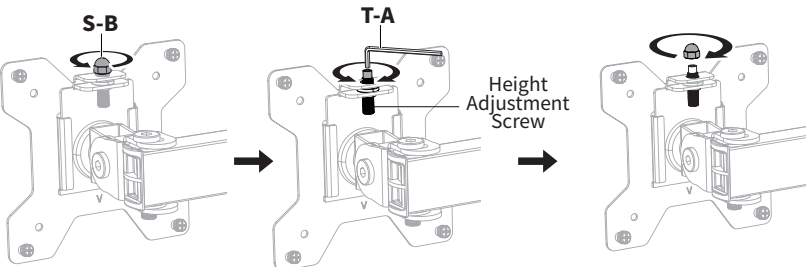


ADJUSTMENTS

Adjust the tilt joint resistance using 6mm Allen Wrench (**T-C**).

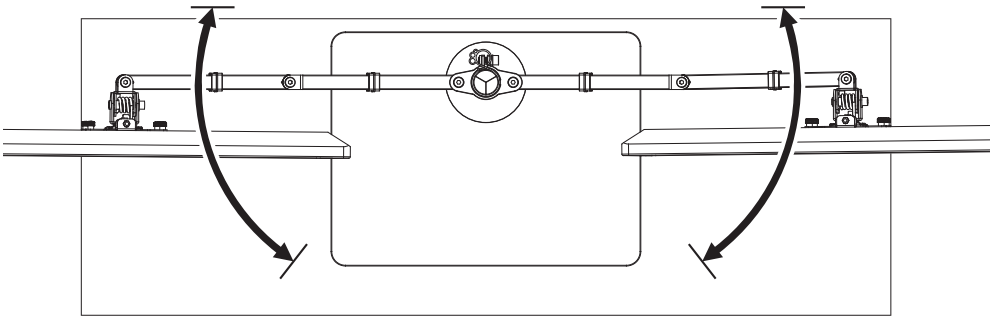


Remove the M6 Cap Nuts (**S-B**) and adjust the VESA height adjustment screws using 3mm Allen Wrench (**T-A**). Reinstall the M6 Cap Nuts.



WARNING

Do not extend the arms past the base shown below.



[THIS PAGE HAS INTENTIONALLY BEEN LEFT BLANK]



Need Help? Get In Touch

Monday-Friday from 7:00am-7:00pm CST



help@vivo-us.com



www.vivo-us.com

Chat live with an agent!



309-278-5303



VIVO-us @vivo_us