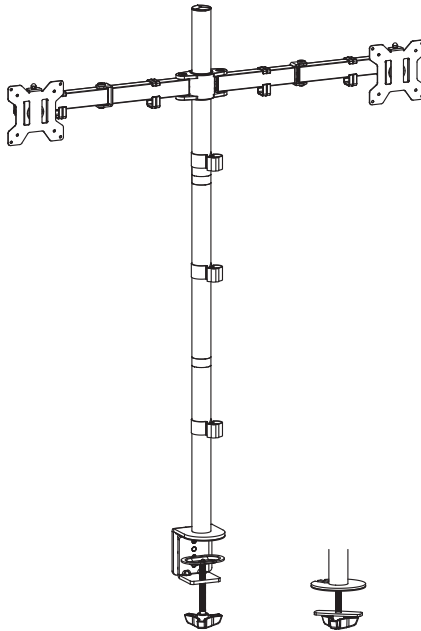


Dual Monitor Extra Tall Desk Mount Instruction Manual



SKU: STAND-V012/W



Scan the QR code with your mobile device or follow the link for helpful videos and specifications related to this product.

<https://vivo-us.com/products/stand-v012>

GET IN TOUCH | Monday-Friday from 7:00am-7:00pm CST



help@vivo-us.com



www.vivo-us.com
Chat live with an agent!



309-278-5303

⚠️ WARNING!

If you do not understand these directions, or if you have any doubts about the safety of the installation, please call a qualified technician. Check carefully to make sure there are no missing or defective parts. Improper installation may cause damage or serious injury. Do not use this product for any purpose that is not explicitly specified in this manual. Do not exceed weight capacity. We cannot be liable for damage or injury caused by improper mounting, incorrect assembly or inappropriate use.

⚠️ TIPOVER WARNING

SERIOUS OR FATAL CRUSHING INJURIES CAN OCCUR FROM TIPOVER. TO HELP PREVENT TIPOVER:

- NEVER ALLOW CHILDREN TO CLIMB, STAND, HANG, OR PLAY ON ANY PART OF MONITOR OR STAND.
- USE TIPOVER RESTRAINT OR ANCHOR STAND TO WALL

USE OF TIPOVER RESTRAINTS MAY ONLY REDUCE, BUT NOT ELIMINATE RISK OF TIPOVER.

⚠️ WARNING: CHOKING HAZARD

SMALL PARTS - NOT FOR CHILDREN UNDER 3 YEARS. ADULT SUPERVISION IS REQUIRED.

PACKAGE CONTENTS



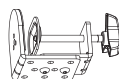
A (x1)
Bottom Pole



B (x1)
Middle Pole



C (x1)
Top Pole



D (x1)
Clamp



E (x1)
Arm



F (x2)
VESA Plate



G (x1)
Pole Cover



H (x1)
Grommet Plate



I (x1)
Soft Pad



J (x1)
Support Plate



K (x4)
Arm Cable Clip



L (x3)
Pole Cable Clip



S-A (x3)
M6x16mm Screw



S-B (x2)
M6 Security Nut



M-A (x8)
M4x12mm Thumbscrew



M-B (x8)
M4x30mm Screw



M-C (x8)
Spacer



T-A (x1)
3mm Allen Wrench



T-B (x1)
5mm Allen Wrench



T-C (x1)
6mm Allen Wrench

NOTE: SOME HARDWARE INCLUDED MAY NOT BE USED

TOOLS NEEDED



DO NOT EXCEED WEIGHT CAPACITY.

Failure to do so may result in serious injury.

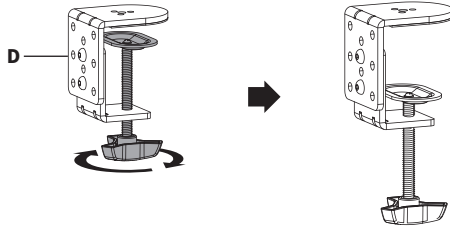
22 lbs
(10 kg)

Per Arm

ASSEMBLY STEPS

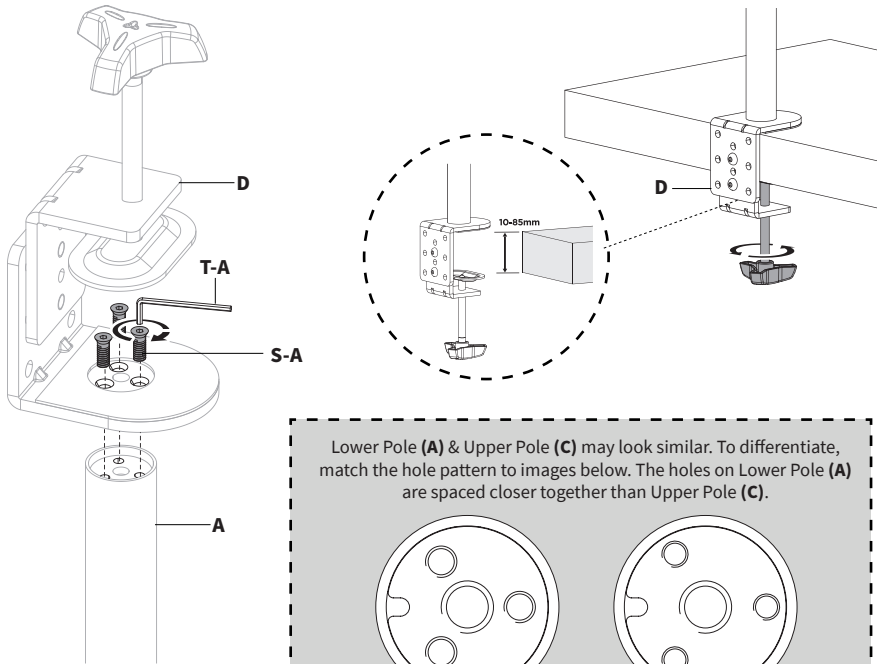
STEP 1

Fully loosen the knob on Clamp (D).

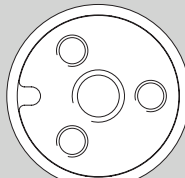


STEP 2: Option A - Desk Clamp

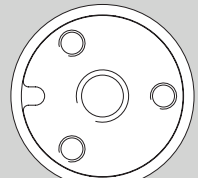
Connect Clamp (D) to Lower Pole (A) using M6x16mm Screws (S-A) and 3mm Allen Wrench (T-A). Place assembly on desktop and secure by tightening knob on Clamp (D).



Lower Pole (A) & Upper Pole (C) may look similar. To differentiate, match the hole pattern to images below. The holes on Lower Pole (A) are spaced closer together than Upper Pole (C).



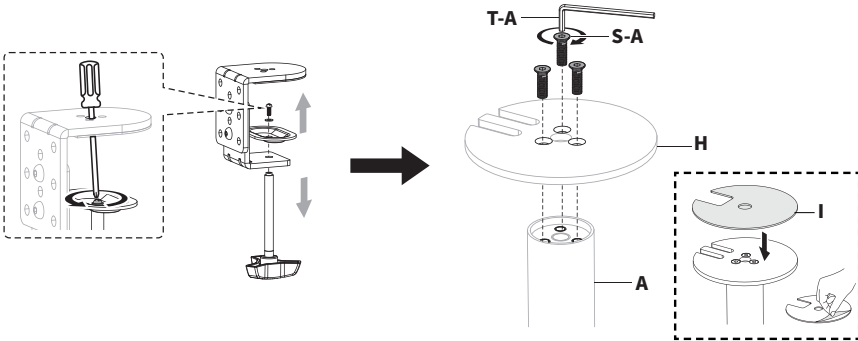
Lower Pole
(A)



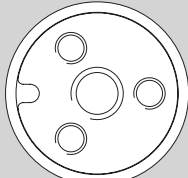
Upper Pole
(C)

STEP 2: Option B - Grommet

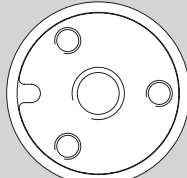
Using a phillips screwdriver, remove the screw from Clamp (D) and disassemble. Set Knob (D1) aside. Connect Grommet Plate (H) to Bottom Pole (A) using M6x16mm Screws (S-A) and 3mm Allen Wrench (T-A). Remove adhesive backing from Soft Pad (I) and adhere to Grommet Plate (H).



Lower Pole (A) & Upper Pole (C) may look similar. To differentiate, match the hole pattern to images below. The holes on Lower Pole (A) are spaced closer together than Upper Pole (C).



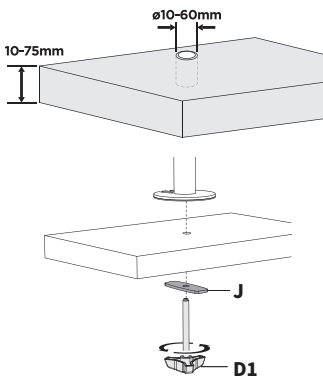
Lower Pole



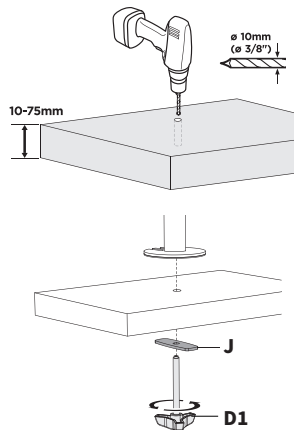
Upper Pole

Place the pole assembly over grommet hole in desk, and connect using Support Plate (J) and previously removed Knob (D1) from underneath desk, as shown. Secure by tightening Hand Bolt (D1). For desktops without an existing grommet hole, use a 3/8" (10mm) drill bit to drill through desktop, then secure assembly as previously described.

EXISTING GROMMET HOLE

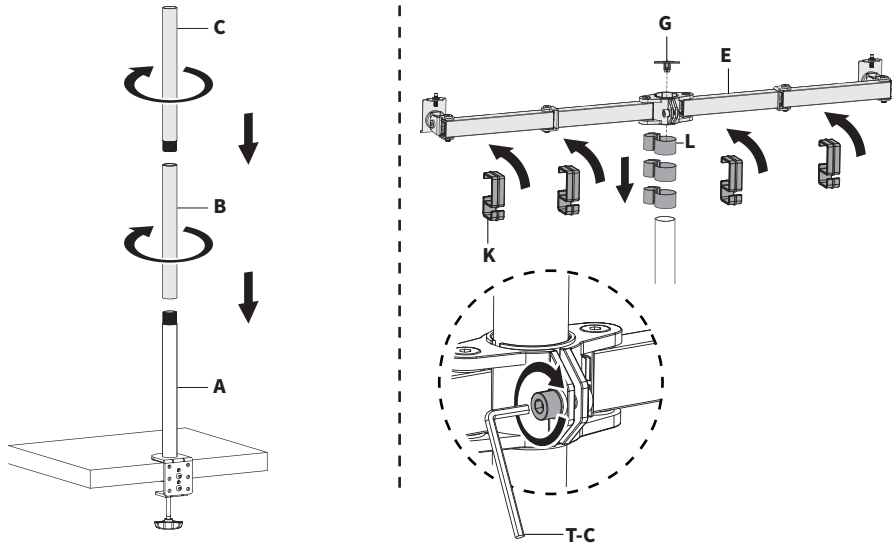


DRILLING A GROMMET HOLE



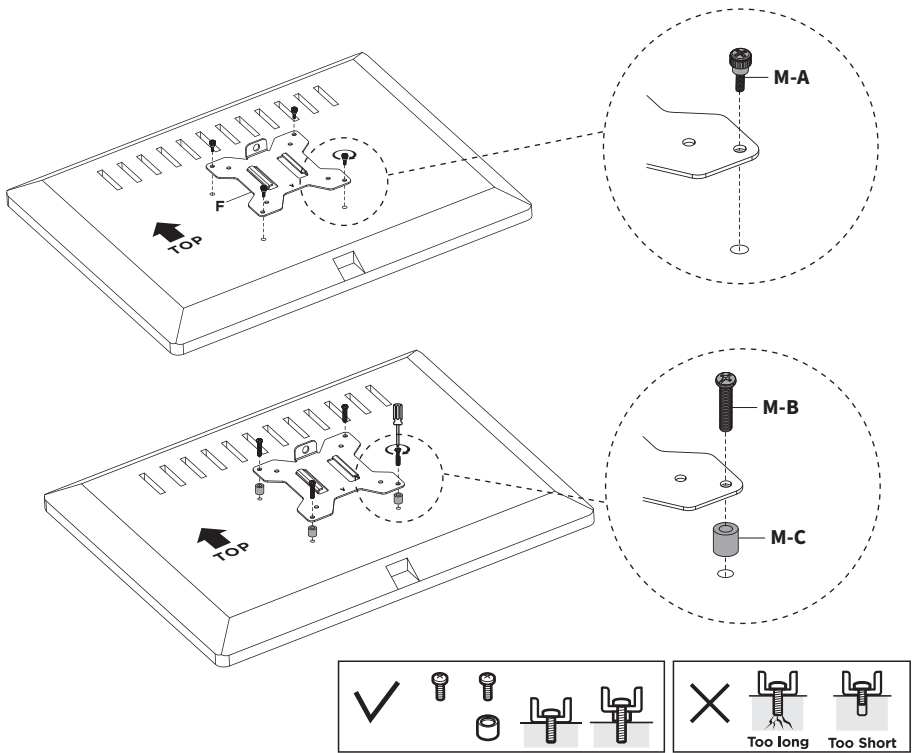
STEP 3

Install Middle Pole (**B**) and Top Pole (**C**) to Bottom Pole (**A**). Slide Pole Cable Clips (**L**) and Arm (**E**) onto assembled pole and tighten with 6mm Allen Wrench (**T-C**). Insert Pole Cap (**G**) into Top Pole (**C**). Attach Arm Cable Clips (**K**) to Arm (**E**).



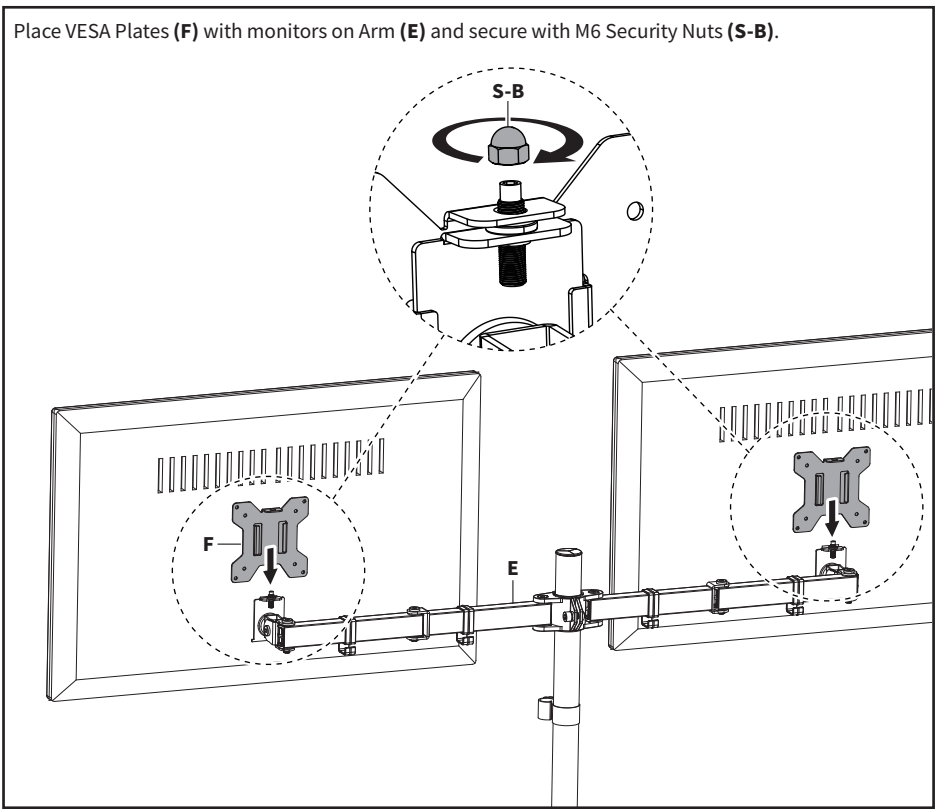
STEP 4

Install VESA Plates (**F**) to back of monitors using appropriate screws (**M-A**, **M-B**) and Spacers (**M-C**).



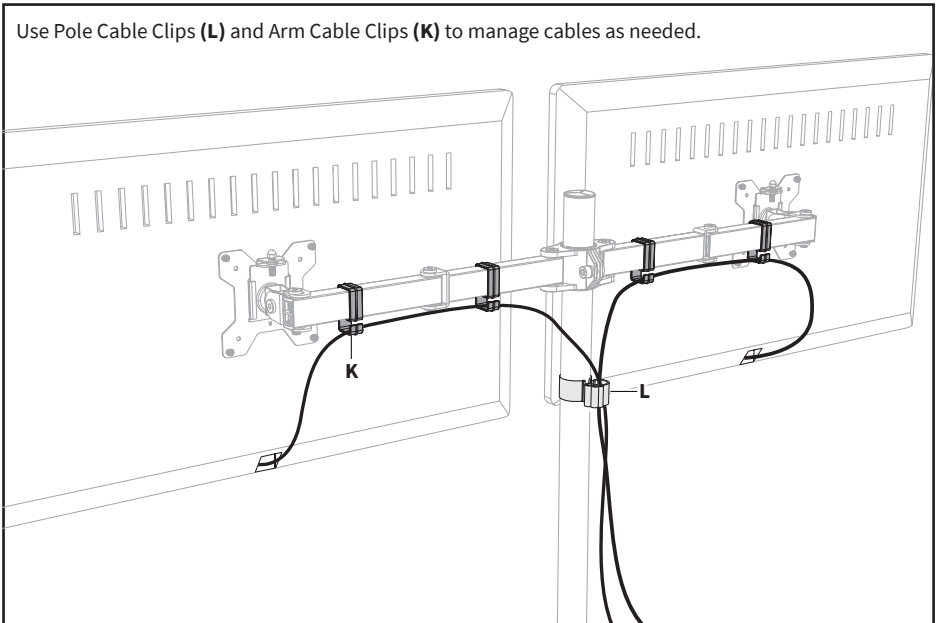
STEP 5

Place VESA Plates (**F**) with monitors on Arm (**E**) and secure with M6 Security Nuts (**S-B**).



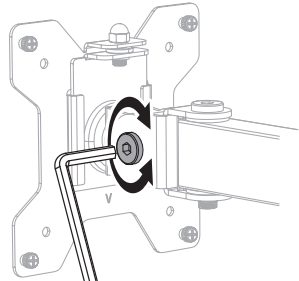
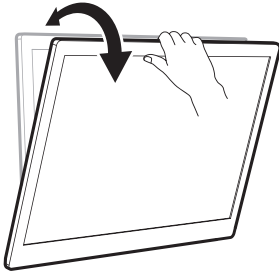
STEP 6

Use Pole Cable Clips (**L**) and Arm Cable Clips (**K**) to manage cables as needed.



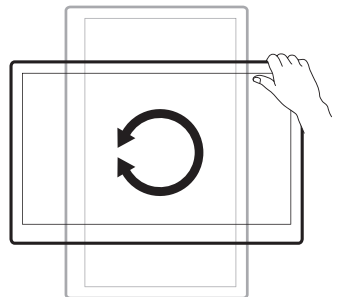
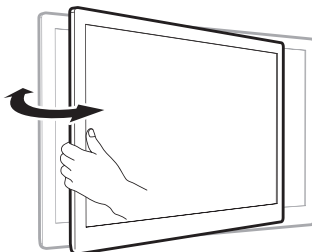
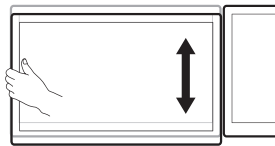
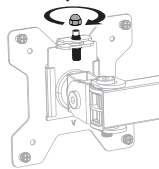
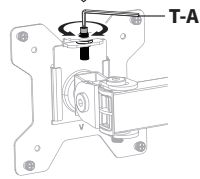
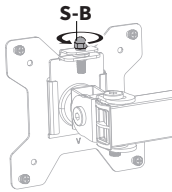
STEP 7

Adjust the monitor tilt using 5mm Allen Wrench (**T-B**). Adjust as desired.



T-B

To level the monitors with each other, remove M6 Security Nut (**S-B**) and use 3mm Allen Wrench (**T-A**) to loosen security screw. Adjust as desired. Replace M6 Security Nut (**S-B**).





Love your new VIVO setup and want to share?
Tag us in your photo! **@vivo_us**

LAST UPDATED: 11/17/2022
REV1.1L



Open **Monday - Friday 7:00am - 7:00pm** CST,
our dedicated support team can offer immediate assistance with rapid response times. If any parts are received damaged or defective, please contact us. We are happy to replace parts to ensure you have a fully functioning product.



309-278-5303

AVG. RESOLUTION TIME (*within office hrs*): **5M 4S**



www.vivo-us.com
Chat live with an agent!

AVG. RESOLUTION TIME (*within office hrs*): **< 15 M**



help@vivo-us.com

AVG. RESPONSE TIME (*within office hrs*): **1HR 8M**

- 23% within < 15m
- 38% within < 30m
- 61% within < 1hr
- 83% within < 2hr
- 92% within < 3hr

FOR MORE VIVO PRODUCTS, CHECK OUT OUR WEBSITE AT: www.vivo-us.com