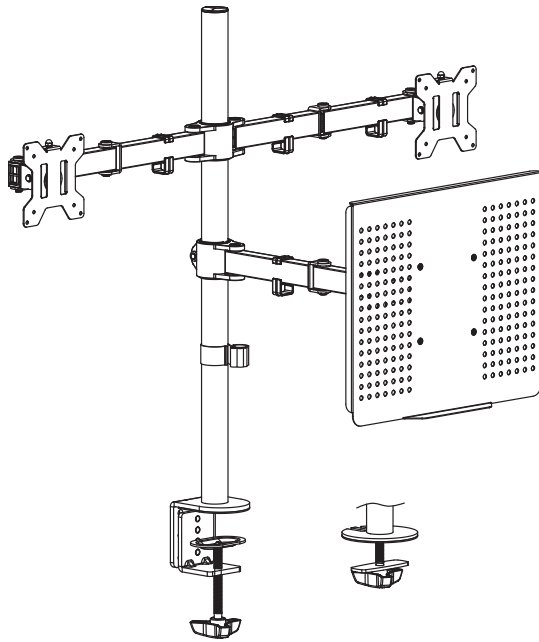




---

## Dual Monitor Desk Mount with Laptop Holder

### Instruction Manual



**SKU: STAND-V012J**



Scan the QR code with your mobile device or follow the link for helpful videos and specifications related to this product.

<https://vivo-us.com/products/stand-v012j>

---

GET IN TOUCH | Monday-Friday from 7:00am-7:00pm CST



help@vivo-us.com



www.vivo-us.com  
*Chat live with an agent!*



309-278-5303

# **WARNING!**

If you do not understand these directions, or if you have any doubts about the safety of the installation, please call a qualified technician. Check carefully to make sure there are no missing or defective parts. Improper installation may cause damage or serious injury. Do not use this product for any purpose that is not explicitly specified in this manual. Do not exceed weight capacity. We cannot be liable for damage or injury caused by improper mounting, incorrect assembly or inappropriate use.

## **TIPOVER WARNING**

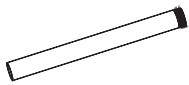
- SERIOUS OR FATAL CRUSHING INJURIES CAN OCCUR FROM TIPOVER. TO HELP PREVENT TIPOVER:
- NEVER ALLOW CHILDREN TO CLIMB, STAND, HANG, OR PLAY ON ANY PART OF MONITOR OR STAND.
  - USE TIPOVER RESTRAINT OR ANCHOR STAND TO WALL

**USE OF TIPOVER RESTRAINTS MAY ONLY REDUCE, BUT NOT ELIMINATE RISK OF TIPOVER.**

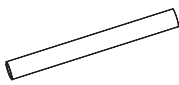
## **WARNING: CHOKING HAZARD**

SMALL PARTS - NOT FOR CHILDREN UNDER 3 YEARS. ADULT SUPERVISION IS REQUIRED.

### PACKAGE CONTENTS



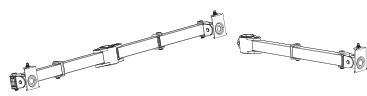
**A (x1)**  
Bottom Pole



**B (x1)**  
Top Pole

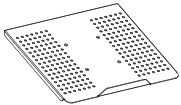


**C (x1)**  
Clamp



**D (x1)**  
Dual Arm

**E (x1)**  
Single Arm



**F (x1)**  
Tray



**G (x3)**  
VESAs Plate



**H (x1)**  
Grommet Plate



**I (x1)**  
Soft Pad



**J (x1)**  
Pole Cable Clip



**K (x6)**  
Arm Cable Clip



**L (x1)**  
Pole Cap



**S-A (x3)**  
M6x16mm Screw



**S-B (x3)**  
M6 Security Nut



**S-C (x4)**  
M4x8mm Screw



**S-D (x4)**  
M4 Nut



**M-A (x8)**  
M4x12mm Thumbscrew



**M-B (x8)**  
M4x30mm Screw



**M-C (x8)**  
M6 Spacer



**T-A (x1)**  
3mm Allen Wrench



**T-B (x1)**  
5mm Allen Wrench



**T-C (x1)**  
Wrench

**NOTE:** SOME HARDWARE INCLUDED MAY NOT BE USED

## TOOLS NEEDED



DO NOT EXCEED WEIGHT CAPACITY.

Failure to do so may result in serious injury.

22 lbs  
(10kg)

Per Arm

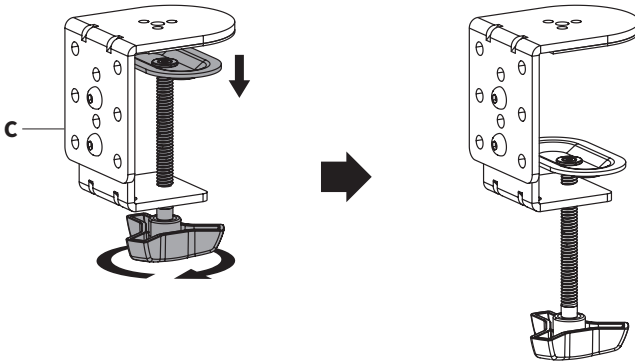
11 lbs  
(5kg)

Keyboard Tray

## ASSEMBLY STEPS

### STEP 1

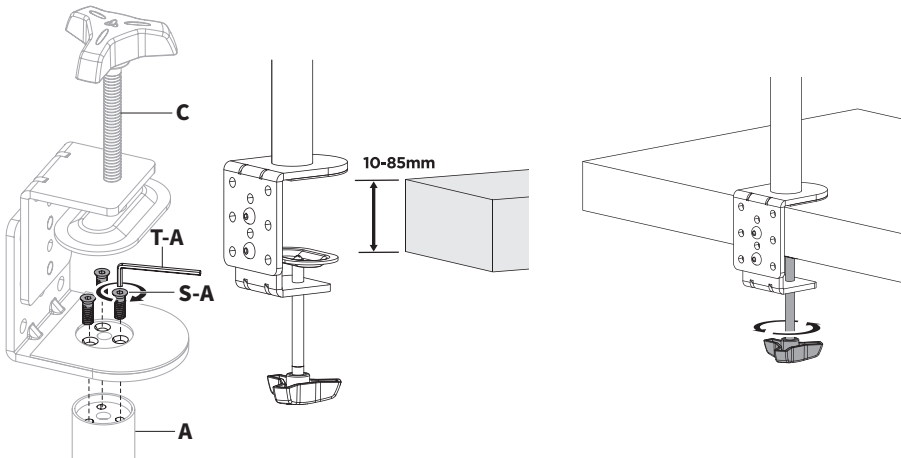
Loosen knob on Clamp (C).



### STEP 2 (Option A)

#### Clamp Installation

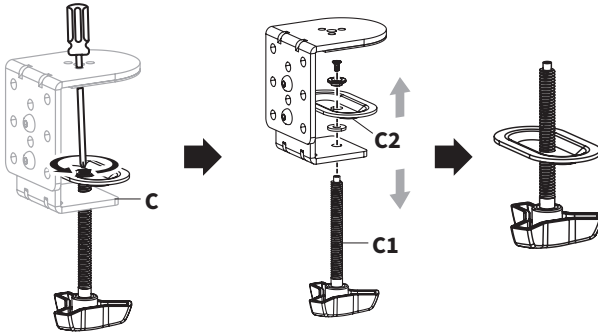
Mount Clamp (C) to Bottom Pole (A) using M6x16mm Screws (S-A) 3mm Allen Wrench (T-A). Secure assembly to desktop by tightening knob on Clamp (C).



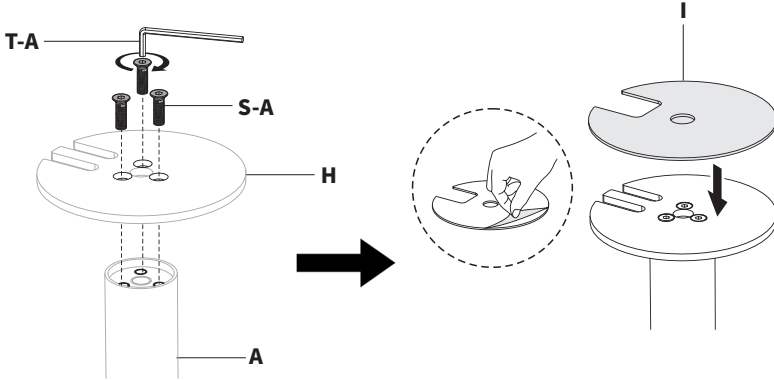
## STEP 2 (Option B)

### Grommet Installation

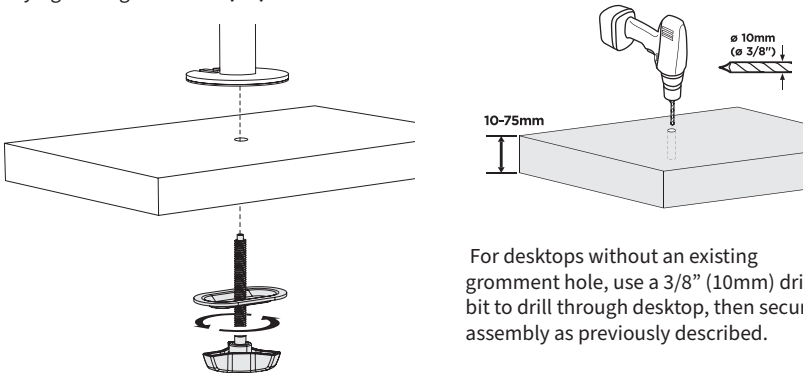
Using a Phillips screwdriver, remove the screw from Clamp (C) and disassemble. Set Hand Bolt (C1) and Clamp Plate (C2) aside. Place Clamp Plate (C2) over Hand Bolt (C1).



Mount Grommet Plate (H) to Bottom Pole (A) using M6x16mm Screws (S-A) and 3mm Allen Wrench (T-A). Remove adhesive backing from Soft Pad (I) and adhere to Grommet Plate (H).

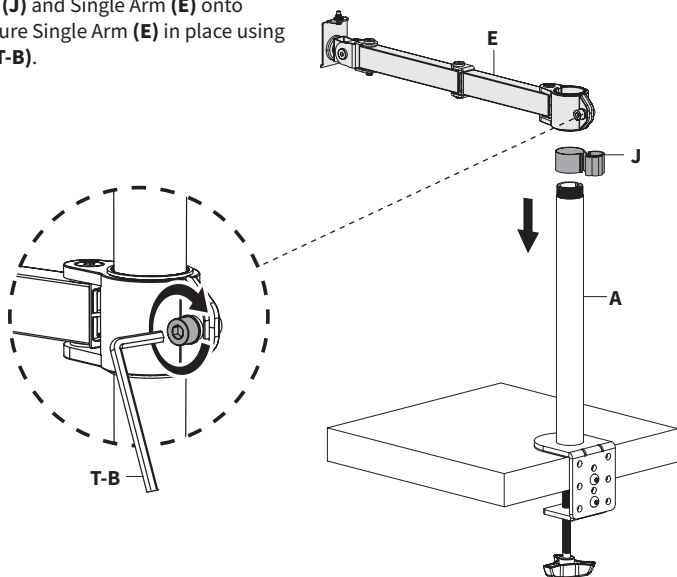


Place the pole assembly over grommet hole in desk, and connect using previously removed Hand Bolt (C1) and Clamp Plate (C2) from underneath desk, as shown. Secure by tightening Hand Bolt (C1).

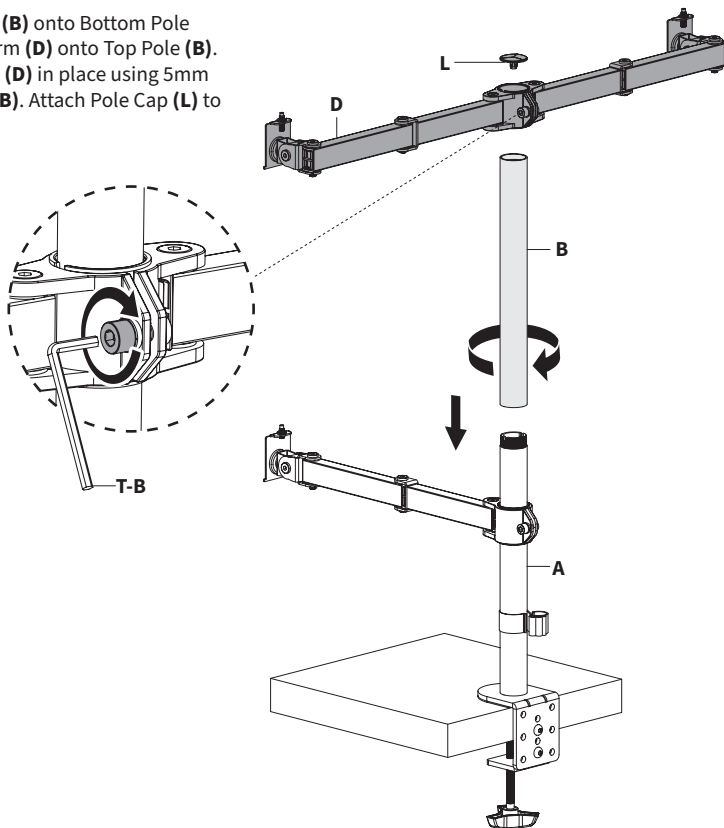


### STEP 3

Slide Pole Cable Clip (**J**) and Single Arm (**E**) onto Bottom Pole (**A**). Secure Single Arm (**E**) in place using 5mm Allen Wrench (**T-B**).

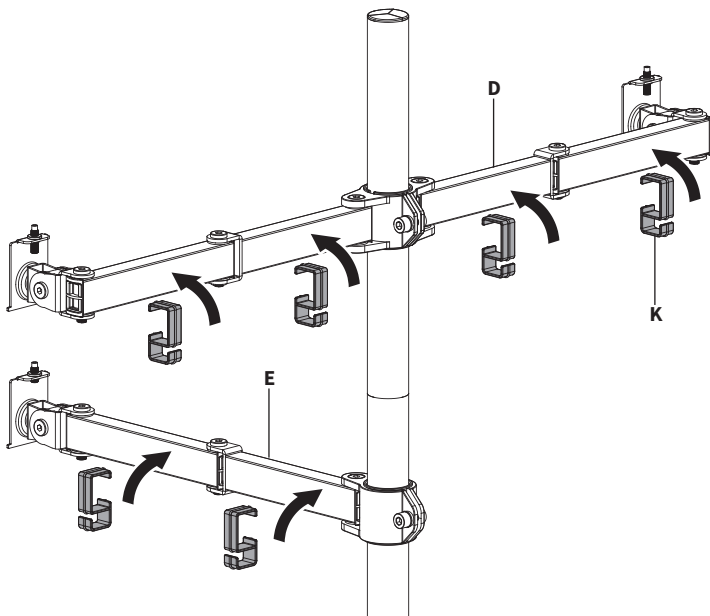


Thread Top Pole (**B**) onto Bottom Pole (**A**). Slide Dual Arm (**D**) onto Top Pole (**B**). Secure Dual Arm (**D**) in place using 5mm Allen Wrench (**T-B**). Attach Pole Cap (**L**) to Top Pole (**B**).



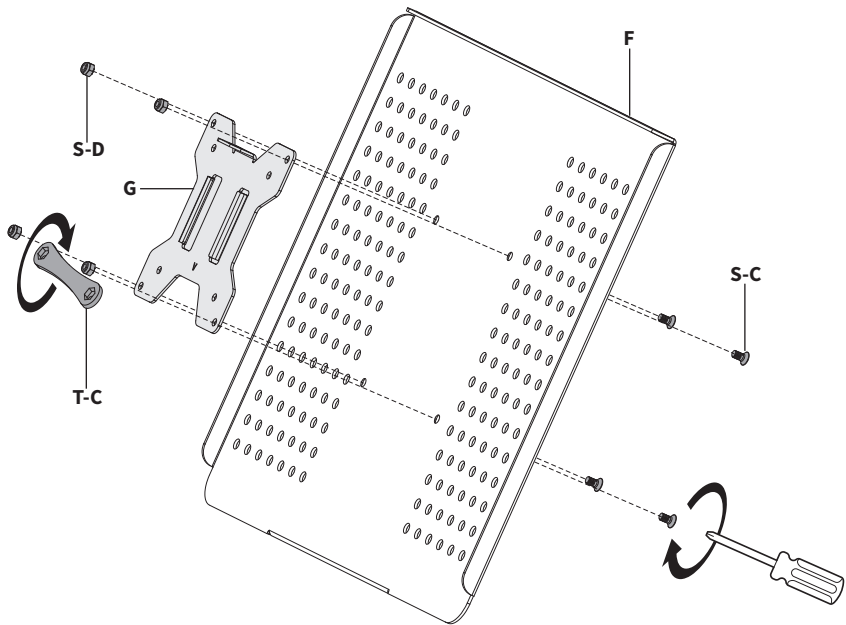
**STEP 4**

Attach Arm Cable Clips (**K**) to Dual Arm (**D**) and Single Arm (**E**).



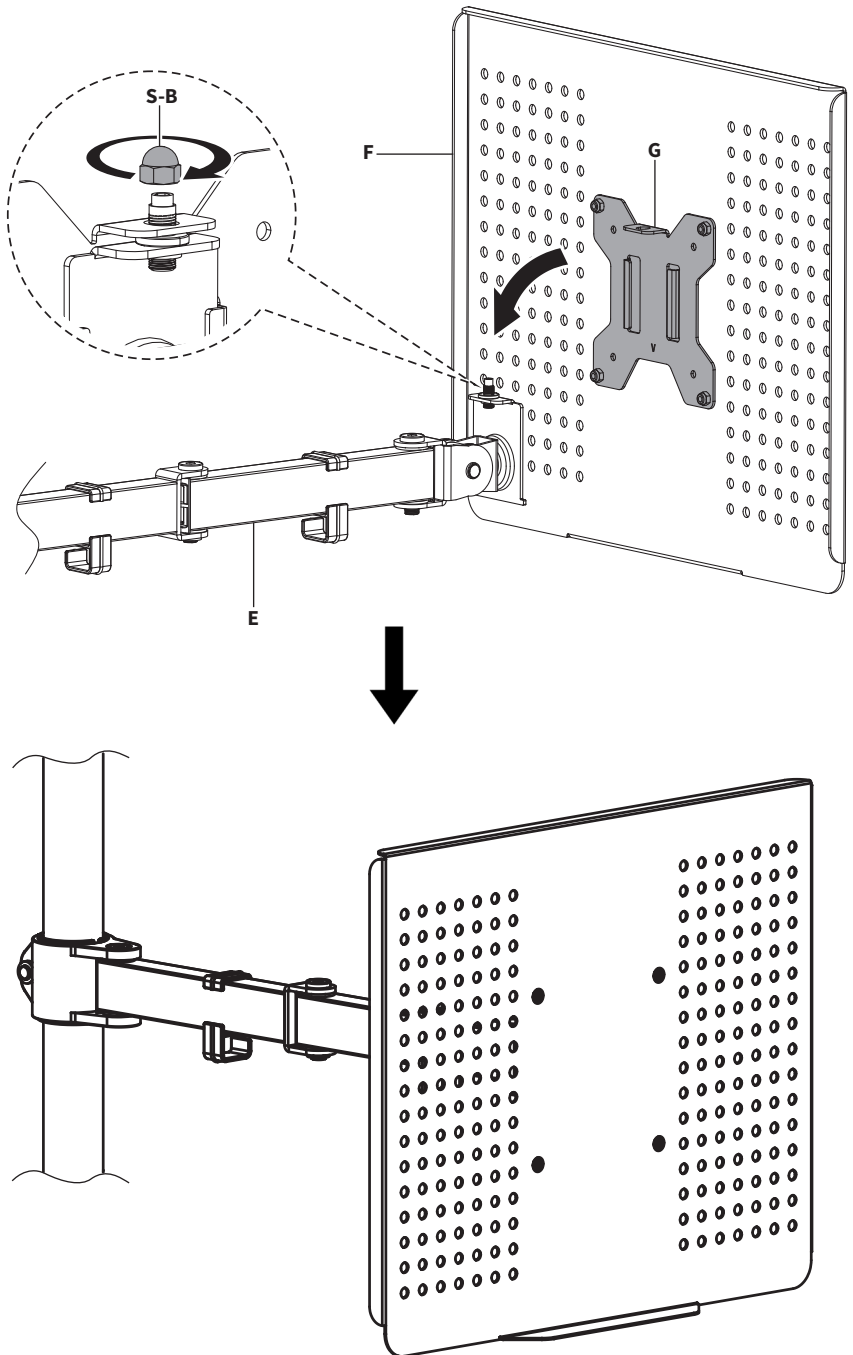
**STEP 5**

Assemble Laptop Tray (**F**) to VESA Plate (**G**) using M4x8mm Screws (**S-C**) and M4 Nuts (**S-D**). Tighten the assembly using Wrench (**T-C**) and a Phillips screwdriver.



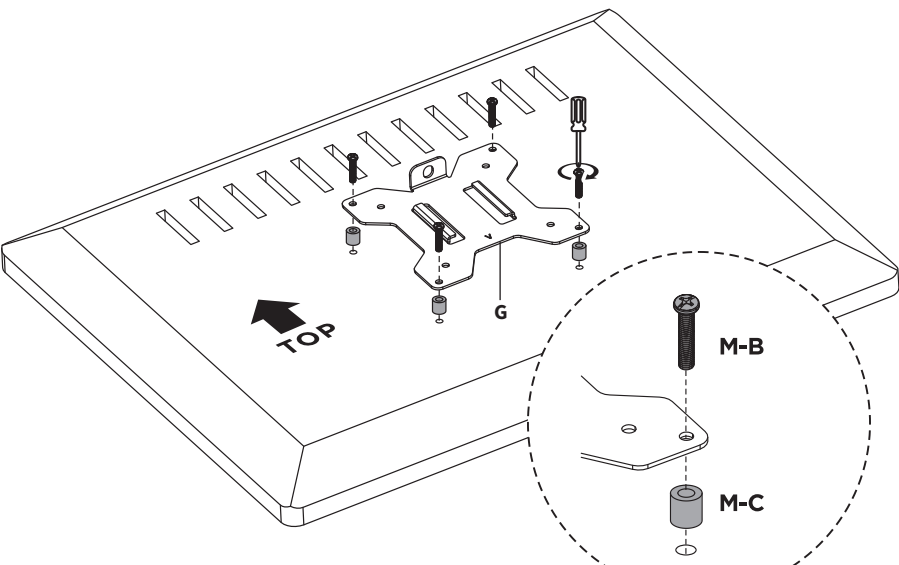
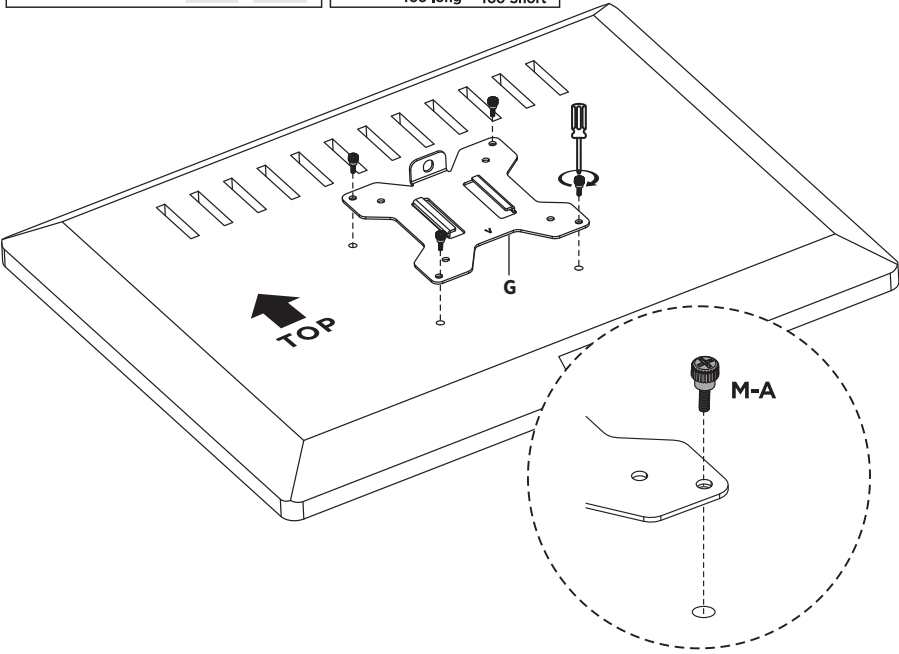
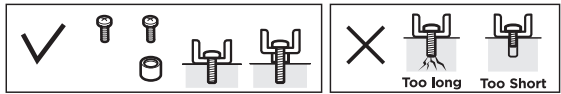
## STEP 6

Slide Tray (F) with VESA Plate (G) onto Single Arm (E). Secure VESA Plate (G) in place using M6 Security Nut (S-B).



**STEP 7**

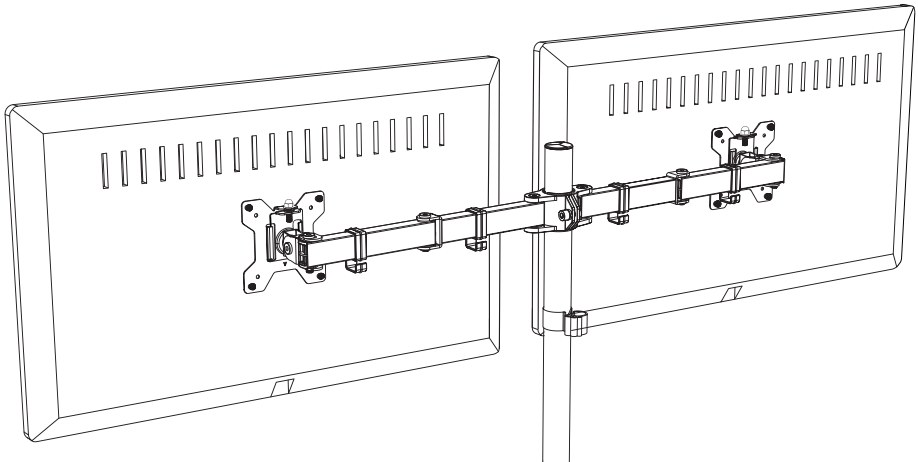
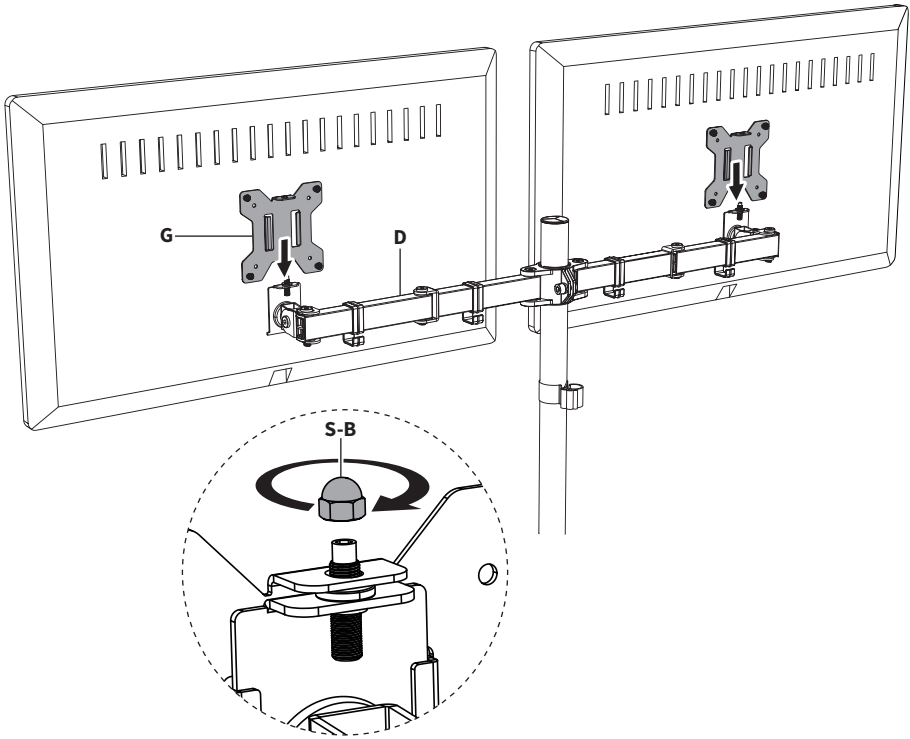
Secure VESA Plates (**G**) to monitors using M4x12mm Thumbscrews (**M-A**) or M4x30mm Screws (**M-B**). M6 Spacers (**M-C**) may be required.





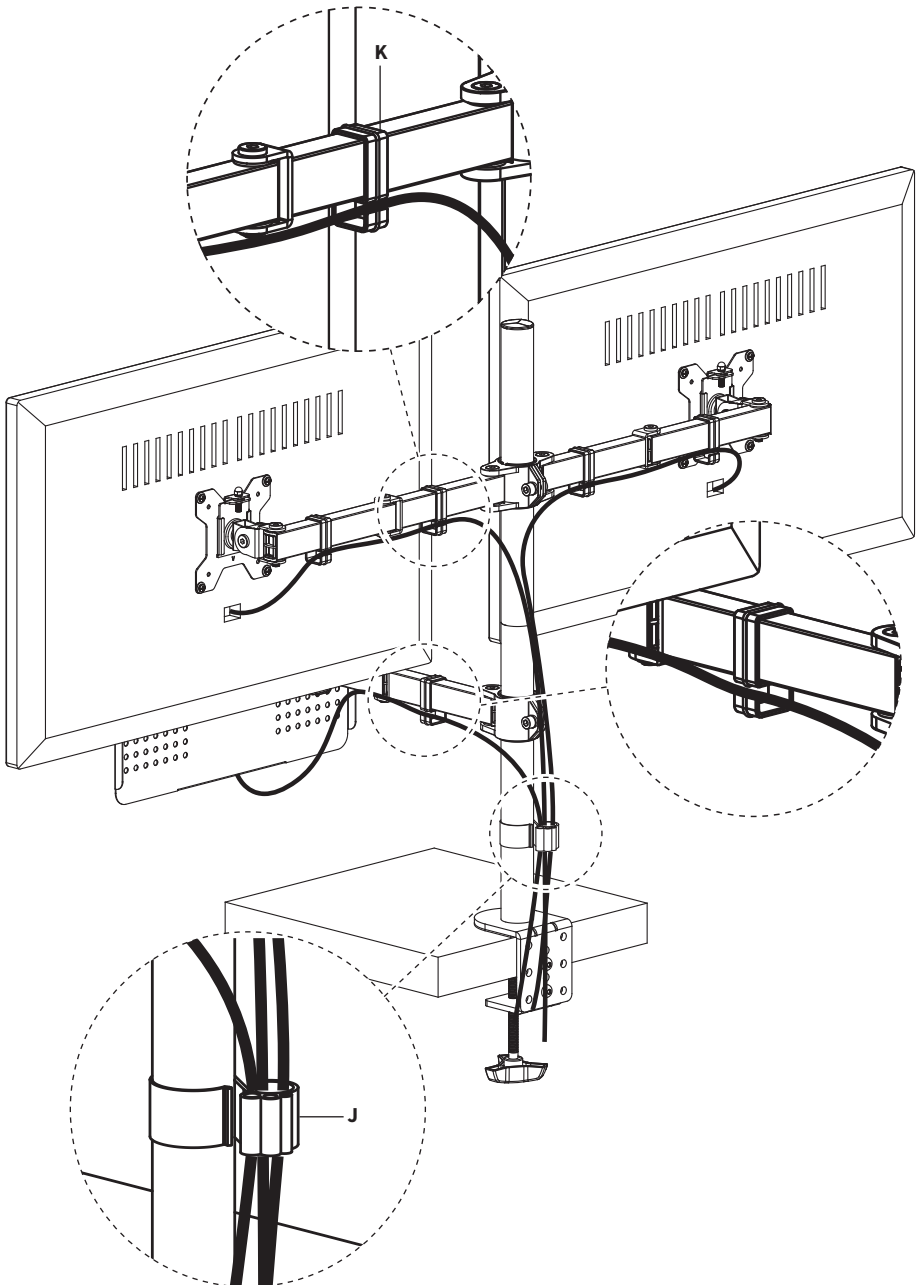
## STEP 8

Slide monitors with VESA Plates (**G**) onto Dual Arm (**D**). Secure VESA Plates (**G**) in place using M6 Security Nuts (**S-B**).



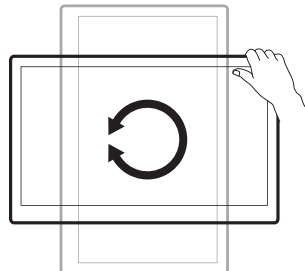
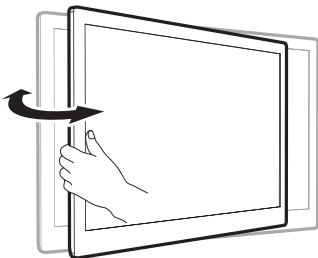
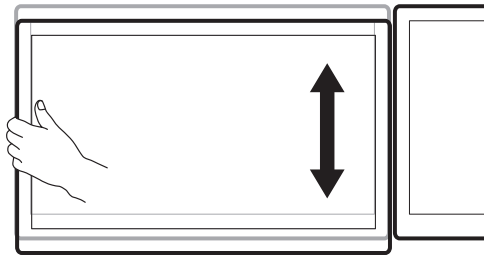
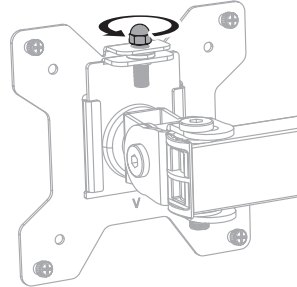
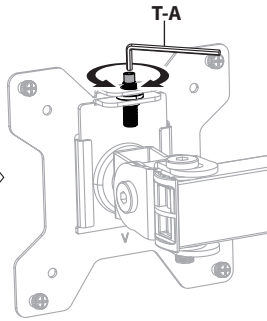
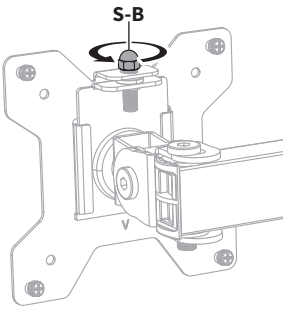
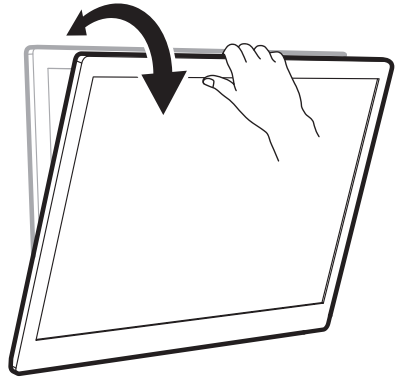
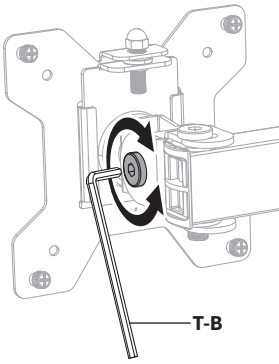
# STEP 9

Manage cable using Pole Cable Clip (**J**) and Arm Cable Clip (**K**).



STEP 10

Adjust the monitor tilt using 5mm Allen Wrench (**T-B**). To level monitors, remove M6 Security Nuts (**S-B**) and tighten or loosen adjustment screws using 3mm Allen Wrench (**T-A**). Once level, fasten M6 Security Nuts (**S-B**) back into place.





Love your new VIVO setup and want to share?  
Tag us in your photo! [@vivo\\_us](#)

LAST UPDATED: 07/12/2023  
REV1.1



Open **Monday - Friday 7:00am - 7:00pm** CST,  
our dedicated support team can offer immediate assistance with rapid response times. If any parts are received damaged or defective, please contact us. We are happy to replace parts to ensure you have a fully functioning product.



309-278-5303

**AVG. RESOLUTION TIME** (*within office hrs*): **5M 4S**



[www.vivo-us.com](http://www.vivo-us.com)  
*Chat live with an agent!*

**AVG. RESOLUTION TIME** (*within office hrs*): **< 15 M**



[help@vivo-us.com](mailto:help@vivo-us.com)

**AVG. RESPONSE TIME** (*within office hrs*): **1HR 8M**

- 23% within < 15m
- 38% within < 30m
- 61% within < 1hr
- 83% within < 2hr
- 92% within < 3hr