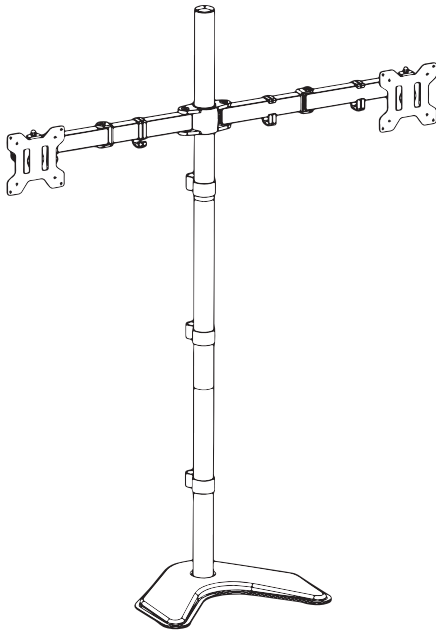




Dual Monitor Extra Tall Desk Stand

Instruction Manual



SKU: STAND-V012F



Scan the QR code with your mobile device or follow the link for helpful videos and specifications related to this product.

<https://vivo-us.com/products/stand-v012f>

GET IN TOUCH | Monday-Friday from 7:00am-7:00pm CST



help@vivo-us.com



www.vivo-us.com
Chat live with an agent!



309-278-5303

WARNING!

If you do not understand these directions, or if you have any doubts about the safety of the installation, please call a qualified technician. Check carefully to make sure there are no missing or defective parts. Improper installation may cause damage or serious injury. Do not use this product for any purpose that is not explicitly specified in this manual. Do not exceed weight capacity. We cannot be liable for damage or injury caused by improper mounting, incorrect assembly or inappropriate use.

TIPOVER WARNING

SERIOUS OR FATAL CRUSHING INJURIES CAN OCCUR FROM TIPOVER. TO HELP PREVENT TIPOVER:

- **TO PREVENT TIPPING, PLEASE BE CAREFUL NOT TO EXTEND THE ARMS TOO FAR FORWARD OR BACKWARD.**
- NEVER ALLOW CHILDREN TO CLIMB, STAND, HANG, OR PLAY ON ANY PART OF MONITOR OR STAND.
- USE TIPOVER RESTRAINT OR ANCHOR STAND TO WALL

USE OF TIPOVER RESTRAINTS MAY ONLY REDUCE, BUT NOT ELIMINATE RISK OF TIPOVER.

WARNING: CHOKING HAZARD

SMALL PARTS - NOT FOR CHILDREN UNDER 3 YEARS. ADULT SUPERVISION IS REQUIRED.

PACKAGE CONTENTS



A (x1)
Bottom Pole



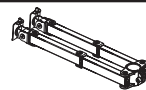
B (x1)
Middle Pole



C (x1)
Top Pole



D (x1)
Base



E (x1)
Arm



F (x2)
VESA Plate



G (x3)
Pole Cable Clip



H (x4)
Arm Cable Clip



S-A (x3)
M5x14mm Screw



S-B (x2)
Security Nut



M-A (x8)
M4x12mm
Thumbscrew



M-B (x8)
M4x30mm Screw



M-C (x8)
M4 Spacer



T-A (x1)
3mm Allen Wrench



T-B (x1)
5mm Allen Wrench



T-C (x1)
6mm Allen Wrench

NOTE: SOME HARDWARE INCLUDED MAY NOT BE USED

TOOLS NEEDED



DO NOT EXCEED WEIGHT CAPACITY.

Failure to do so may result in serious injury.

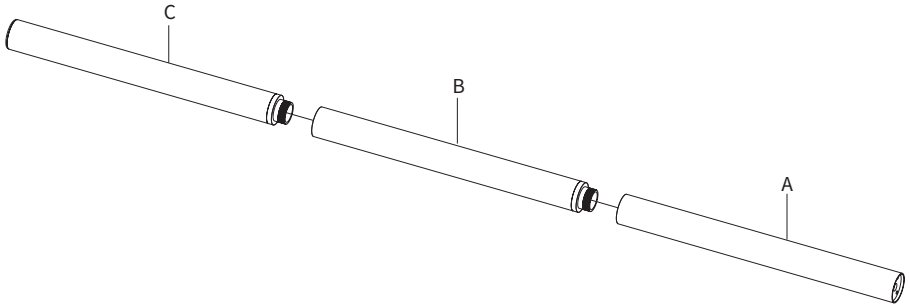
22 lbs
(10 kg)

PER ARM

ASSEMBLY STEPS

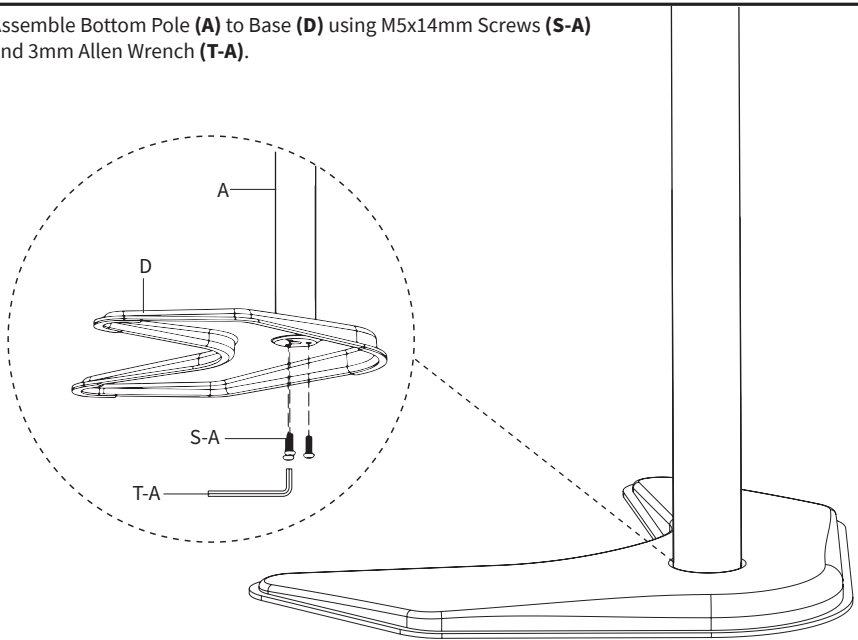
STEP 1

Thread Bottom Pole (A), Middle Pole (B), and Top Pole (C) together as shown below.



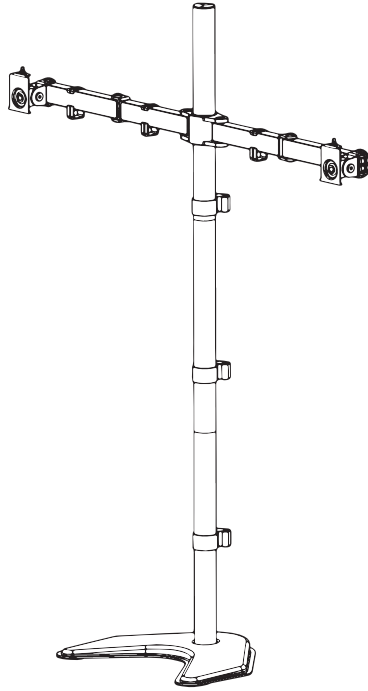
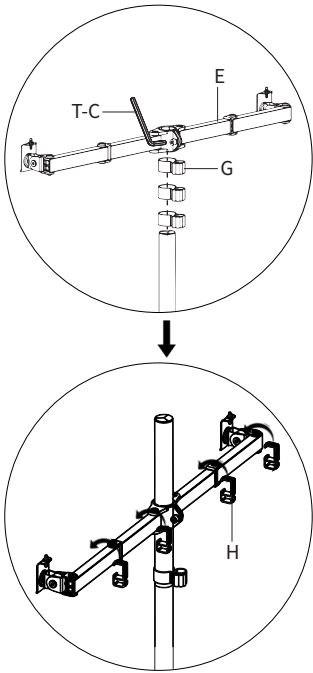
STEP 2

Assemble Bottom Pole (A) to Base (D) using M5x14mm Screws (S-A) and 3mm Allen Wrench (T-A).



STEP 3

Slide Pole Cable Clips (**G**) and Arm (**E**) onto the pole assembly. Secure Arm (**E**) using 6mm Allen Wrench (**T-C**). Assemble Arm Cable Clips (**H**) to Arm (**E**).

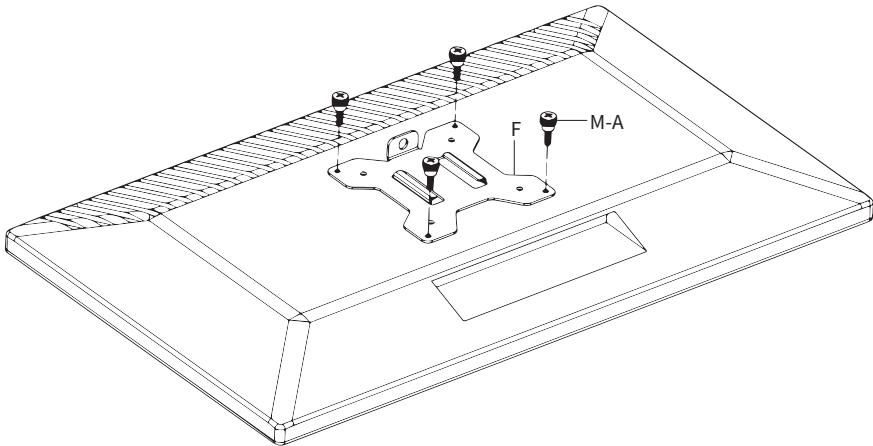


STEP 4 (Option A)

Flat Back Monitor

Assemble VESA Plates (**F**) to the monitors using M4x12mm Thumbscrews (**M-A**).

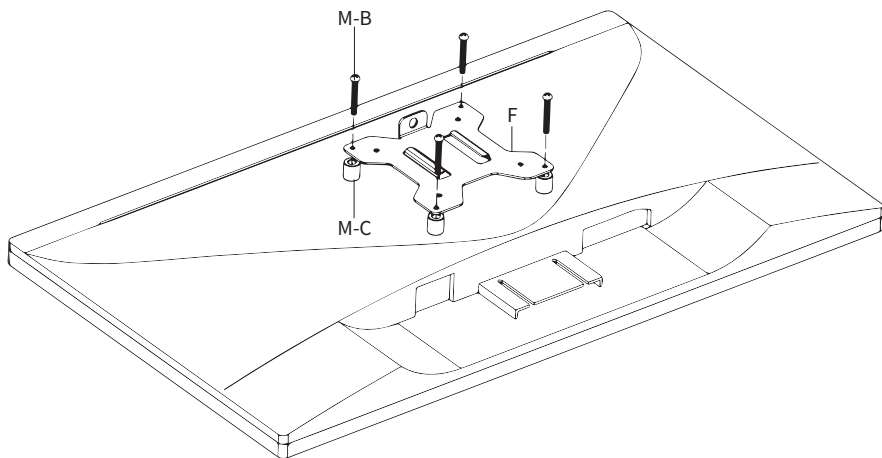
NOTE: Hand tighten screws to avoid stripping the plastic screw heads.



STEP 4 (Option B)

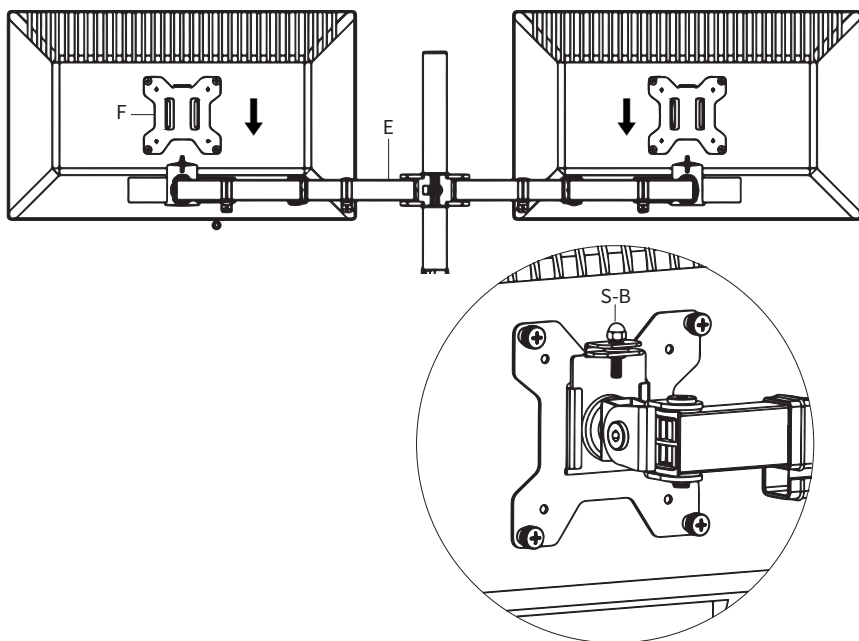
Curved Back Monitor

Assemble VESA Plates (**F**) to the monitors using M4 Spacers (**M-C**) and M4x30mm Screws (**M-B**). Tighten with a Phillips screwdriver.



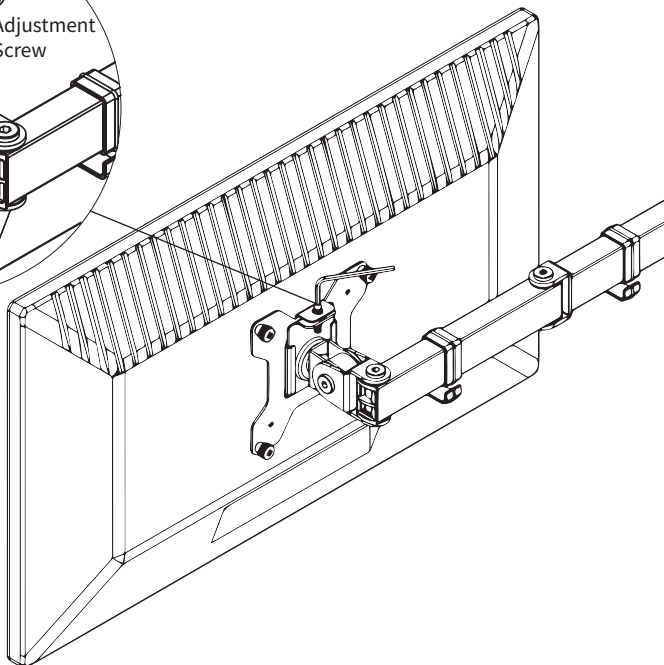
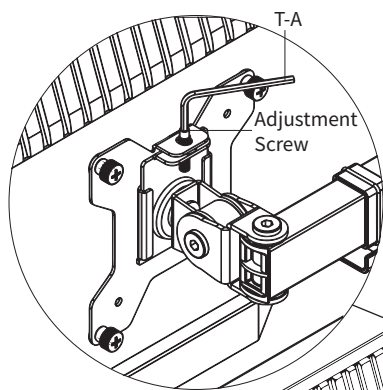
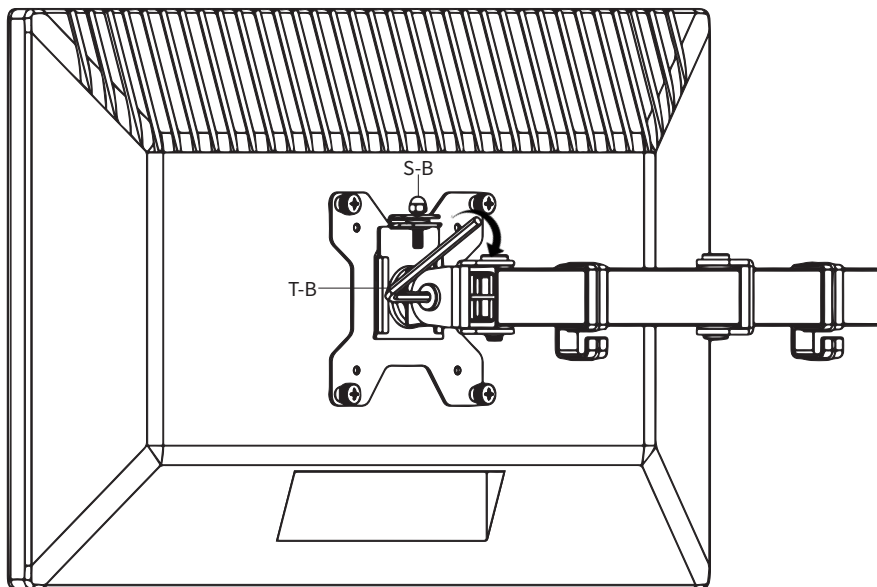
STEP 5

Slide VESA Plates (**F**) with the monitors onto Arm (**E**). Secure the monitors in place using Security Nuts (**S-B**).



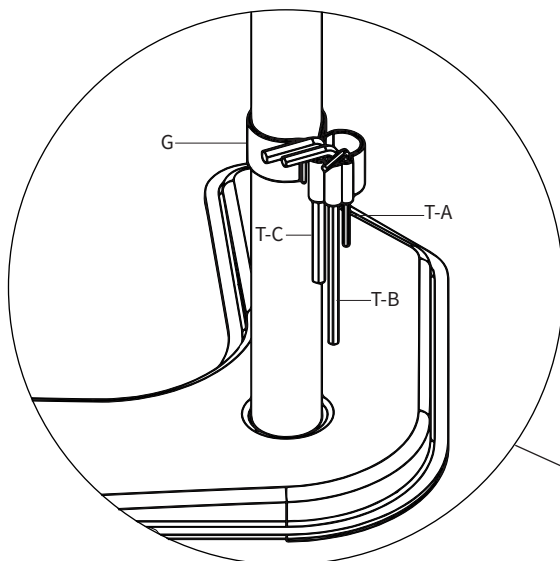
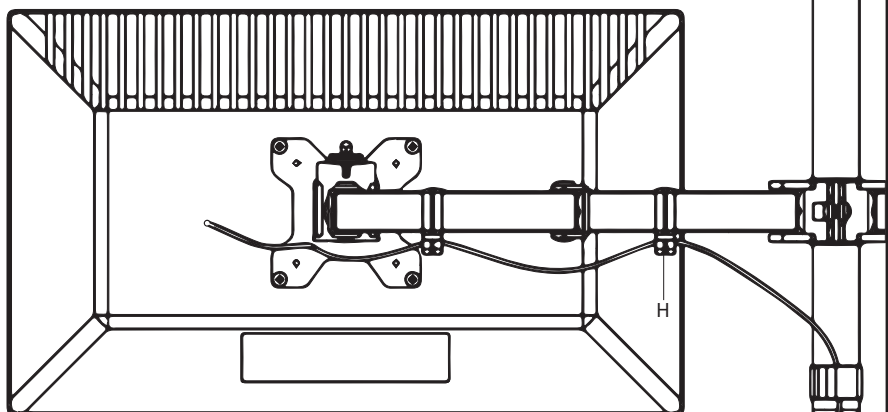
STEP 6

Adjust the tilt using 5mm Allen Wrench (**T-B**). To level the monitors, remove Security Nut (**S-B**) and turn the adjustment screw with the 3mm Allen Wrench (**T-A**) to raise or lower the monitor.




STEP 7

Manage cables using Arm Cable Clips (**H**) and Pole Cable Clips (**G**). Store Allen wrenches in Pole Cable Clip (**G**) for future adjustments.





Open **Monday - Friday 7:00am - 7:00pm** CST, our dedicated support team can offer immediate assistance with rapid response times. If any parts are received damaged or defective, please contact us. We are happy to replace parts to ensure you have a fully functioning product.

 309-278-5303

AVG. RESOLUTION TIME (*within office hrs*): **5M 4S**

 www.vivo-us.com
Chat live with an agent!

AVG. RESOLUTION TIME (*within office hrs*): **< 15 M**

 help@vivo-us.com

AVG. RESPONSE TIME (*within office hrs*): **1HR 8M**

- 23% within < 15m
- 38% within < 30m
- 61% within < 1hr
- 83% within < 2hr
- 92% within < 3hr