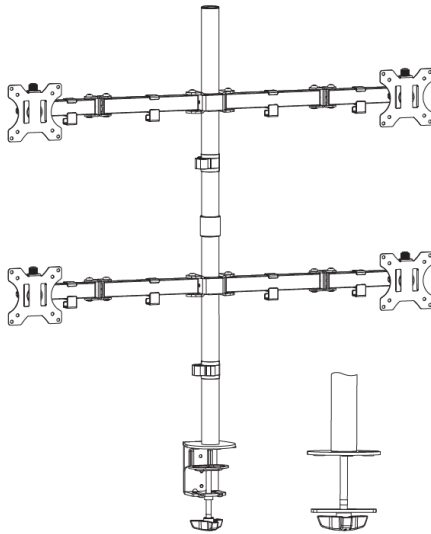




Quad Monitor Desk Mount

Instruction Manual



SKU: STAND-V004



Scan the QR code with your mobile device or follow the link for helpful videos and specifications related to this product.

<https://vivo-us.com/products/stand-v004>

GET IN TOUCH | Monday-Friday from 7:00am-7:00pm CST



help@vivo-us.com



www.vivo-us.com
Chat live with an agent!



309-278-5303

⚠️ WARNING!

If you do not understand these directions, or if you have any doubts about the safety of the installation, please call a qualified technician. Check carefully to make sure there are no missing or defective parts. Improper installation may cause damage or serious injury. Do not use this product for any purpose that is not explicitly specified in this manual. Do not exceed weight capacity. We cannot be liable for damage or injury caused by improper mounting, incorrect assembly or inappropriate use.

⚠️ TIPOVER WARNING

SERIOUS OR FATAL CRUSHING INJURIES CAN OCCUR FROM TIPOVER. TO HELP PREVENT TIPOVER:

- NEVER ALLOW CHILDREN TO CLIMB, STAND, HANG, OR PLAY ON ANY PART OF MONITOR OR STAND.
- USE TIPOVER RESTRAINT OR ANCHOR STAND TO WALL.

USE OF TIPOVER RESTRAINTS MAY ONLY REDUCE, BUT NOT ELIMINATE RISK OF TIPOVER.

⚠️ WARNING: CHOKING HAZARD

SMALL PARTS - NOT FOR CHILDREN UNDER 3 YEARS. ADULT SUPERVISION IS REQUIRED.

PACKAGE CONTENTS



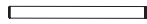
A (x4)
VESA Plate



B (x2)
Arm



C (x1)
Clamp



D (x1)
Pole



E (x1)
Pole



F (x1)
Pole Adapter



G (x2)
Cable Clip



H (x1)
Grommet Base



I (x4)
VESA Cap



J (x4)
Screw



K (x5)
Rubber Pad



L (x3)
Large Screw



M (x1)
Support Plate



N (x1)
3mm Allen
Wrench



O (x1)
4mm Allen
Wrench



P (x1)
6mm Allen
Wrench



Q (x1)
Plastic Cap



R (x8)
Cable Clip



M-A (x16)
M4x12



M-B (x16)
M4x16



M-C (x16)
M5x12



M-D (x16)
M5x16



M-E (x16)
D5 Washer



M-F (x16)
Spacer

TOOLS NEEDED



NOTE: SOME HARDWARE INCLUDED MAY NOT BE USED

DO NOT EXCEED WEIGHT CAPACITY.

Failure to do so may result in serious injury.



PER ARM

ASSEMBLY STEPS

STEP 1

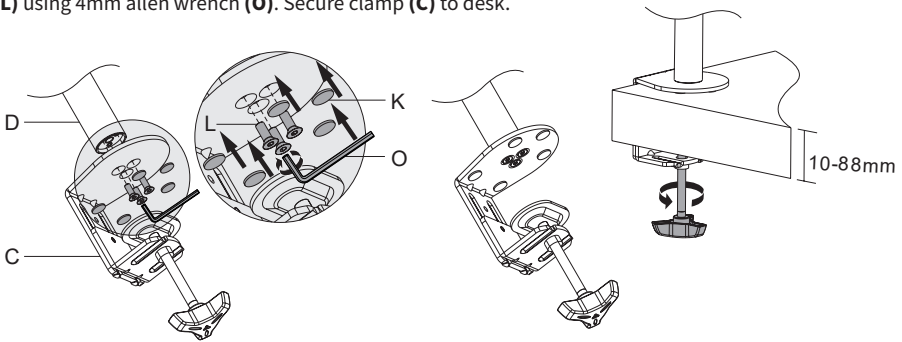
Attach plastic cap (Q) to top of pole (E).



STEP 2

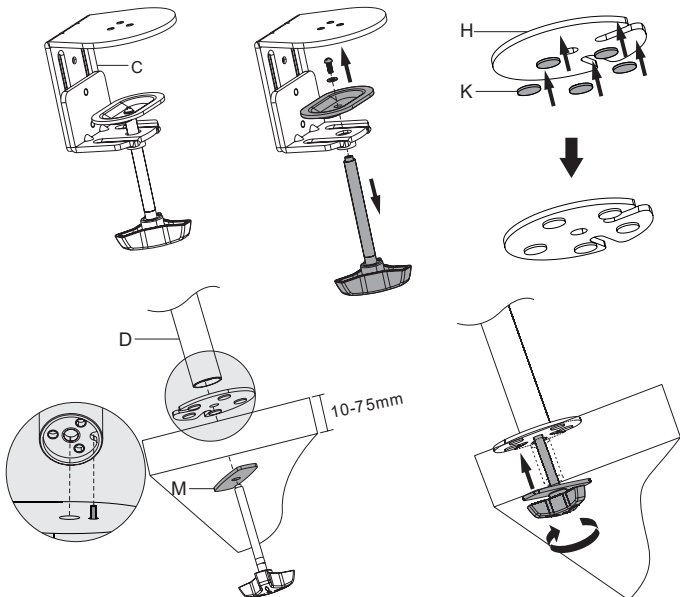
OPTION A: Clamp Installation

Apply rubber pads (K) to clamp (C) as shown in diagram. Attach clamp (C) to pole (D) with large screws (L) using 4mm allen wrench (O). Secure clamp (C) to desk.



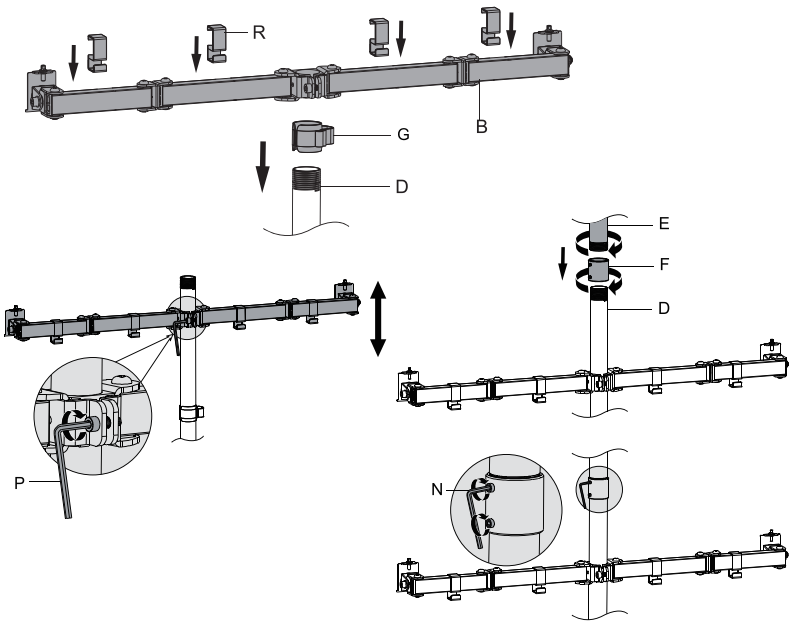
OPTION B: Grommet Base Installation

Remove clamp screw from clamp (C). Apply rubber pads (K) to grommet base (H) as shown in diagram. Place on desk. Put support plate (M) on crank. Insert crank through desk and grommet base (H) from below. Attach and tighten pole (D).



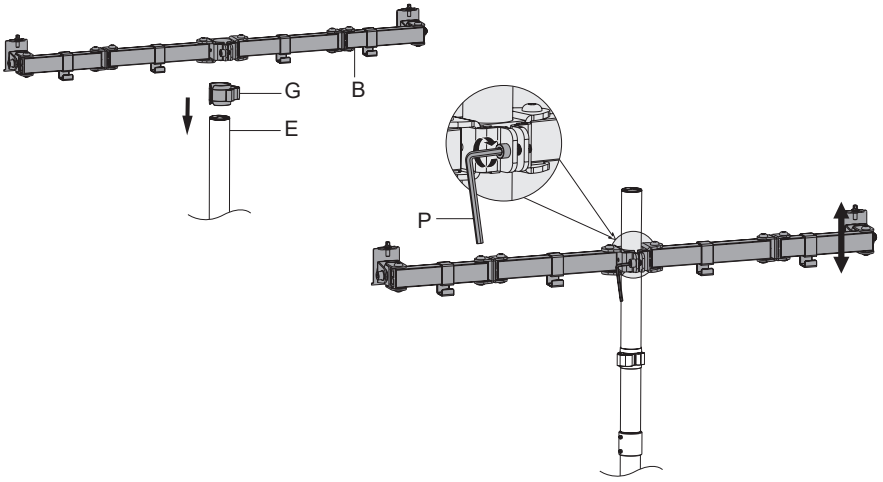
STEP 3

Slide one cable management clip (**G**) onto pole (**D**). Slide arm (**B**) onto pole (**D**) and tighten in place using 6mm allen wrench (**P**). Screw pole adapter (**F**) onto pole (**D**). Screw pole (**E**) into pole adapter (**F**). Tighten using 3mm allen wrench (**N**) as shown in diagram.



STEP 4

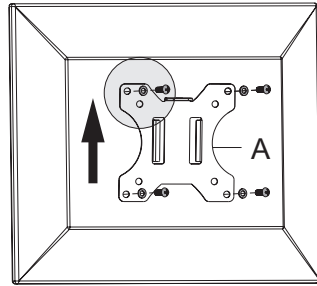
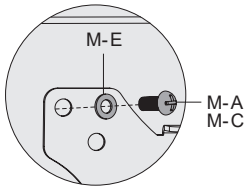
Slide one cable management clip (**G**) onto pole (**D**). Slide arm (**B**) onto pole (**D**) and tighten in place



STEP 45

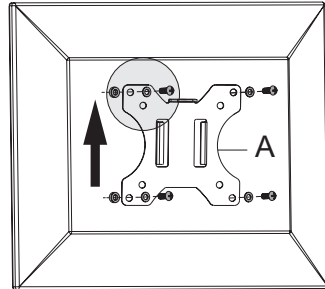
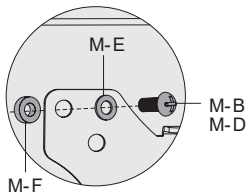
OPTION A: Flat Back Monitor

Attach VESA plates (**A**) to monitors using screws (**M-A** or **M-C**) and washers (**M-E**).



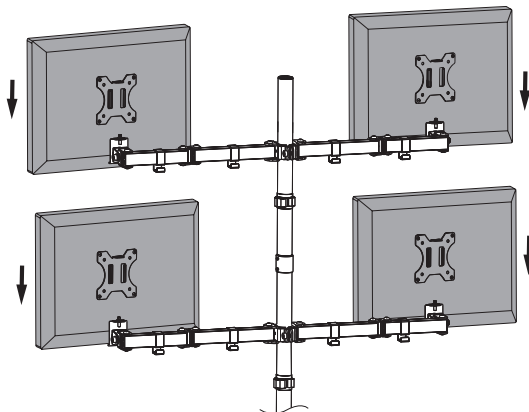
OPTION B: Curved Back Monitor

Attach VESA plates (**A**) to monitors using screws (**M-B** or **M-D**), washers (**M-E**), and spacers (**M-F**).



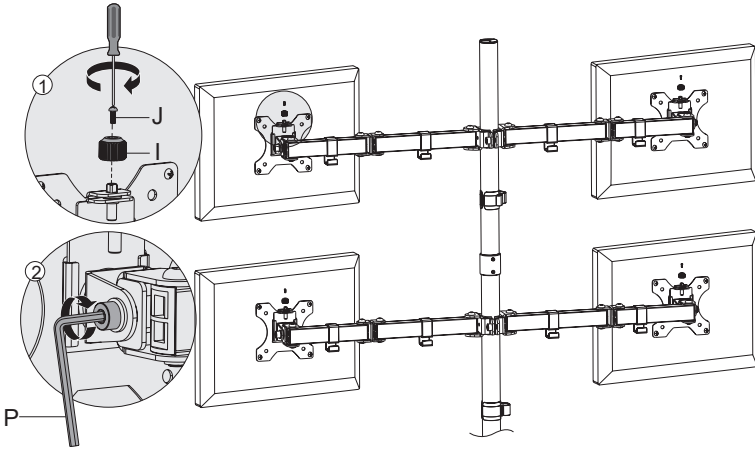
STEP 6

Slide VESA plates (**A**) with monitors attached onto monitor mounts as shown in diagram.



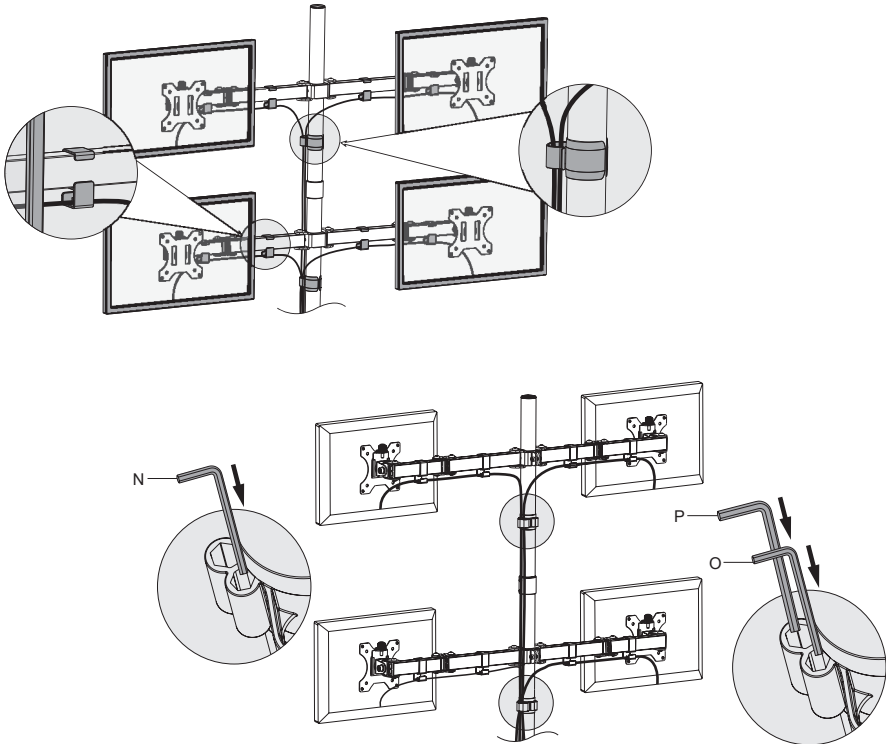
STEP 7

Use VESA caps (**I**) and small screws (**J**) to secure monitors as shown in diagram. Tighten with 6mm allen wrench (**P**) as shown in diagram.



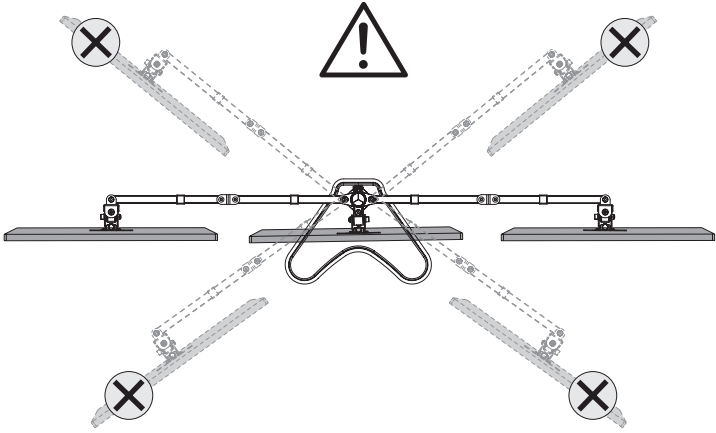
STEP 8

Use cable management clips (**G**) to manage cables. Use cable management clips (**G**) to store allen wrenches.

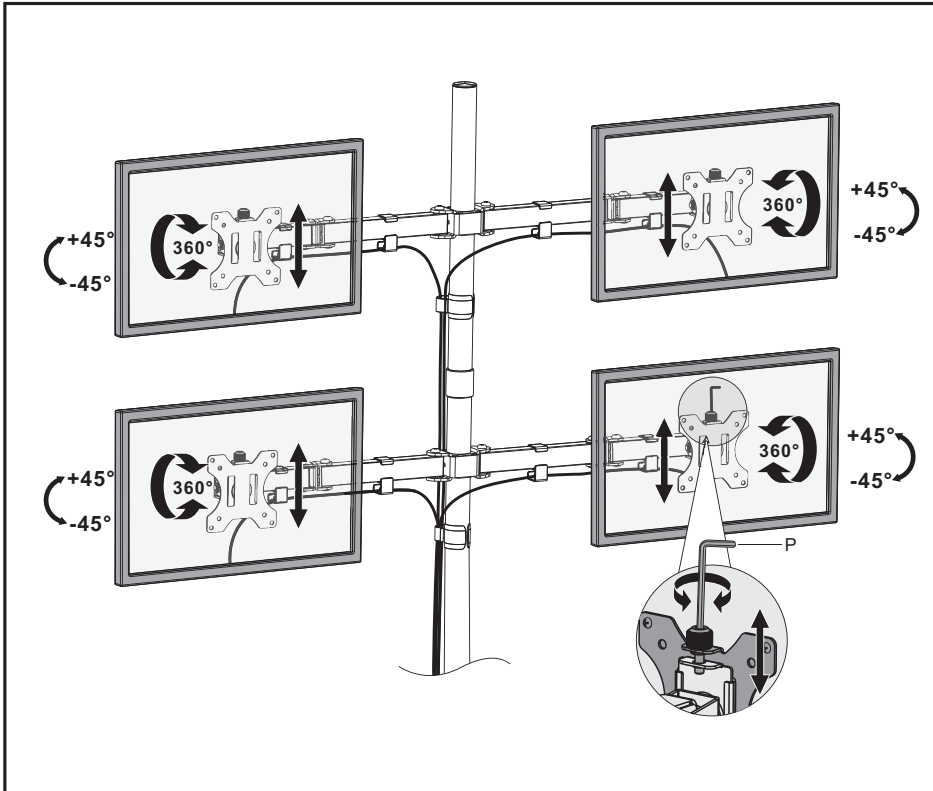


STEP 9

Be careful not to extend the arms too far forward or backward.



Adjust as Desired





Love your new VIVO setup and want to share?
Tag us in your photo! **@vivo_us**

LAST UPDATED: 07/22/2020



Open **Monday - Friday 7:00am - 7:00pm** CST,
our dedicated support team can offer immediate assistance with rapid response times. If any parts are received damaged or defective, please contact us. We are happy to replace parts to ensure you have a fully functioning product.



help@vivo-us.com

AVG. RESPONSE TIME (*within office hrs*): **1HR 8M**

- 23% within < 15m
- 38% within < 30m
- 61% within < 1hr
- 83% within < 2hr
- 92% within < 3hr



www.vivo-us.com
Chat live with an agent!

AVG. RESOLUTION TIME (*within office hrs*): **< 15 M**



309-278-5303

AVG. RESOLUTION TIME (*within office hrs*): **5M 4S**

FOR MORE VIVO PRODUCTS, CHECK OUT OUR WEBSITE AT: www.vivo-us.com