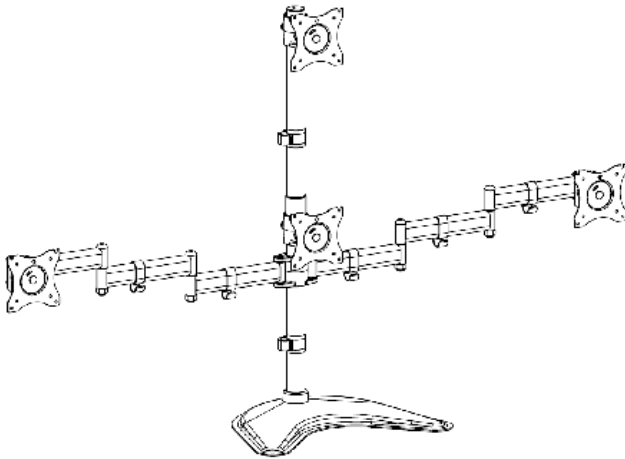




Quad Monitor Desk Stand

Instruction Manual



SKU: STAND-V004Z



Scan the QR code with your mobile device or follow the link for helpful videos and specifications related to this product.

<https://vivo-us.com/products/stand-v004z>

GET IN TOUCH | Monday-Friday from 7:00am-7:00pm CST



help@vivo-us.com



www.vivo-us.com
Chat live with an agent!



309-278-5303

WARNING!

If you do not understand these directions, or if you have any doubts about the safety of the installation, please call a qualified technician. Check carefully to make sure there are no missing or defective parts. Improper installation may cause damage or serious injury. Do not use this product for any purpose that is not explicitly specified in this manual. Do not exceed weight capacity. We cannot be liable for damage or injury caused by improper mounting, incorrect assembly or inappropriate use.

TIPOVER WARNING

SERIOUS OR FATAL CRUSHING INJURIES CAN OCCUR FROM TIPOVER. TO HELP PREVENT TIPOVER:

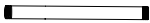
- **TO PREVENT TIPPING, PLEASE BE CAREFUL NOT TO EXTEND THE ARMS TOO FAR FORWARD OR BACKWARD.**
- NEVER ALLOW CHILDREN TO CLIMB, STAND, HANG, OR PLAY ON ANY PART OF MONITOR OR STAND.
- USE TIPOVER RESTRAINT OR ANCHOR STAND TO WALL

USE OF TIPOVER RESTRAINTS MAY ONLY REDUCE, BUT NOT ELIMINATE RISK OF TIPOVER.

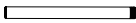
WARNING: CHOKING HAZARD

SMALL PARTS - NOT FOR CHILDREN UNDER 3 YEARS. ADULT SUPERVISION IS REQUIRED.

PACKAGE CONTENTS



A (x1)
Pole



B (x1)
Pole



C (x1)
Arm



D (x2)
VESA Bracket



E (x1)
Base



F (x1)
Pole Connector



G (x6)
Cable Clip



H (x2)
Cable Clip



I (x1)
Base Cover



J (x1)
3mm Allen Key



K (x1)
5mm Allen Key



L (x1)
6mm Allen Key



M-A (x16)
M4x12



M-B (x16)
M5x12



M-C (x16)
D5 Washer

NOTE: SOME HARDWARE INCLUDED MAY NOT BE USED

TOOLS NEEDED



**Phillips
Screwdriver**

DO NOT EXCEED WEIGHT CAPACITY.
Failure to do so may result in serious injury.



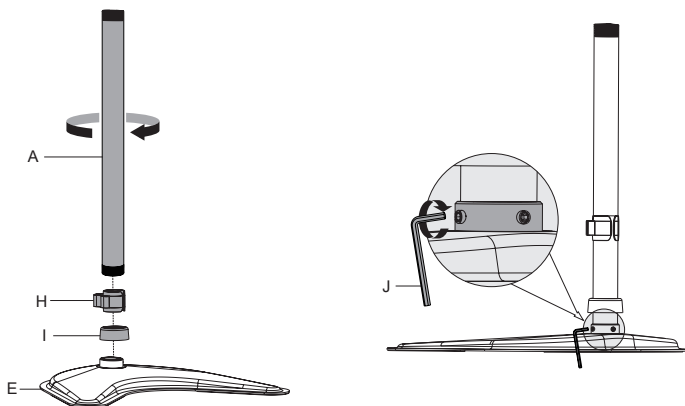
**17.6lbs
(8 kg)**

PER ARM

ASSEMBLY STEPS

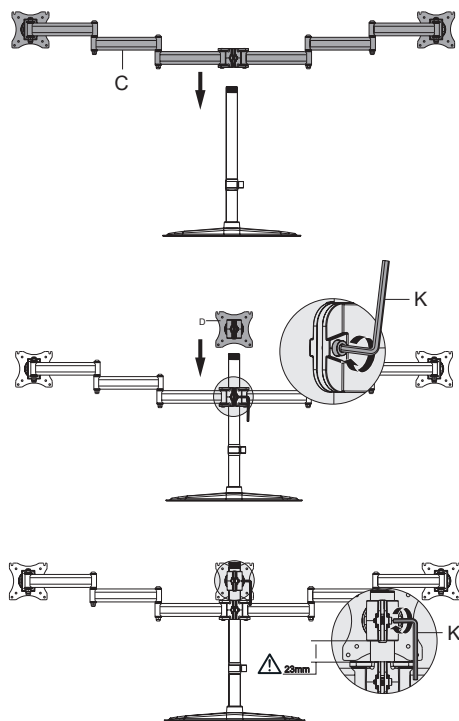
STEP 1

Slide cable management clip (**H**) and base cover (**I**) on to bottom of pole (**A**). Thread pole (**A**) onto base (**E**) and tighten grub screws using 3mm allen key (**J**).



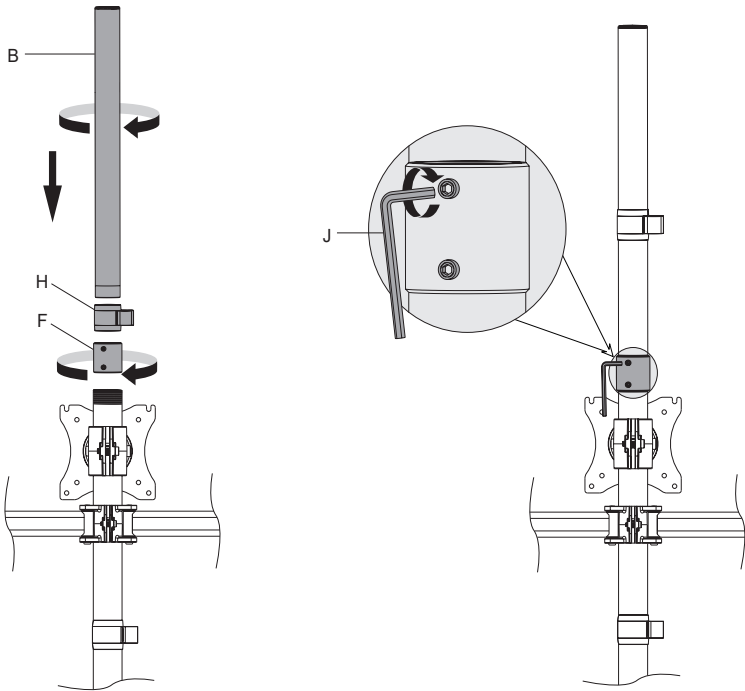
STEP 2

Slide arm (**C**) and bracket (**D**) over top of pole and tighten using 5mm allen key (**K**).



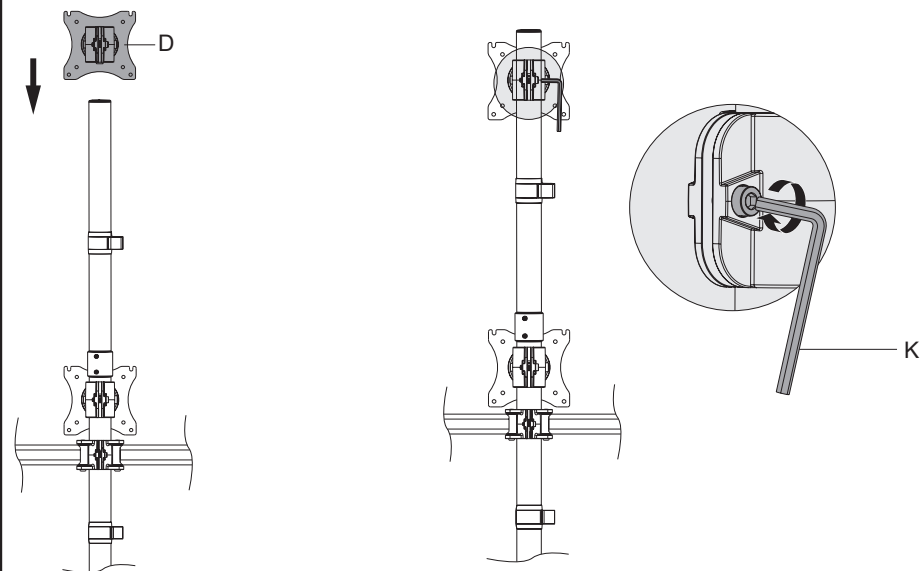
STEP 3

Slip cable management clip (**H**) over bottom of top pole (**B**). Use pole connector (**F**) to attach pole (**B**) to pole (**A**) as shown in diagram. Tighten grub screws using 3mm allen key (**J**).



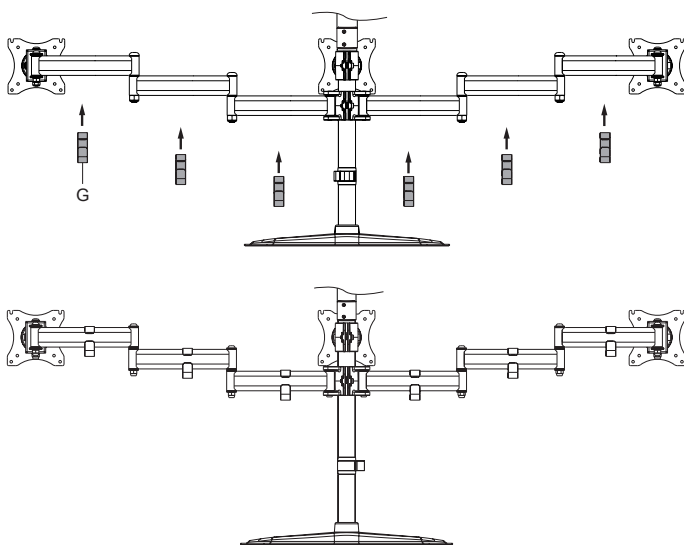
STEP 4

Slide bracket (**D**) over top of pole (**B**). Tighten using 5mm allen key (**K**).



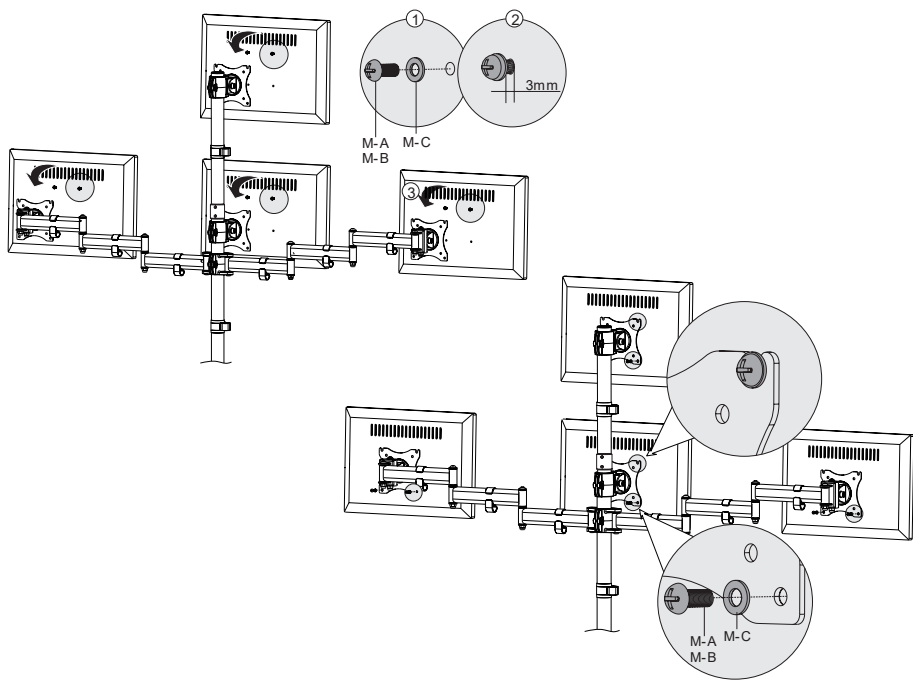
STEP 5

Attach cable management clips (**G**) to to arm (**C**) as shown in diagram.



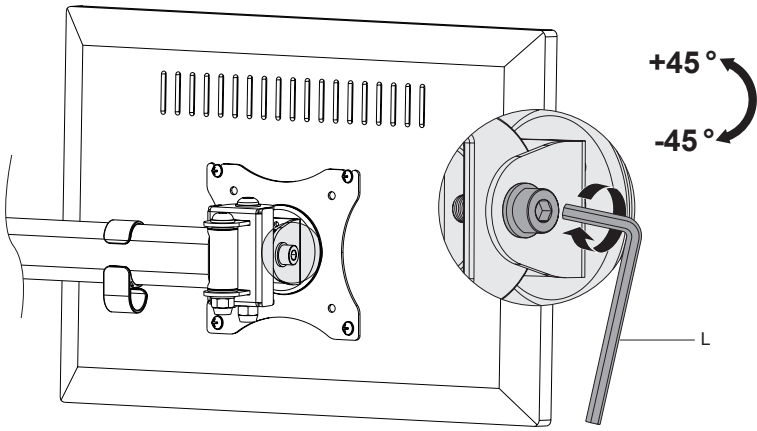
STEP 6

Attach two bolts (**M-A or M-B**) and washers (**M-C**) to top mounting holes of monitor, making sure to leave 3mm of threads exposed. Aline bolts (**M-A or M-B**) in VESA plate. Secure using two more bolts (**M-A or M-B**) and washers (**M-C**) in the bottom two holes. Tighten all four bolts using phillips screwdriver.



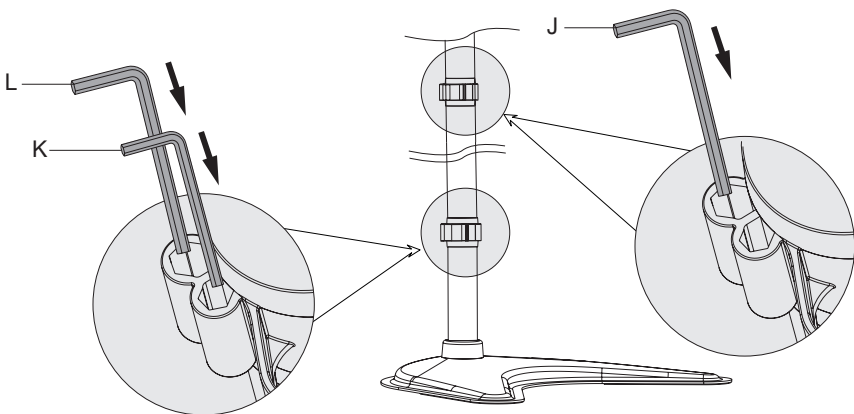
STEP 7

Adjust tension in monitor bracket with 6mm allen key (**L**) as shown in diagram.



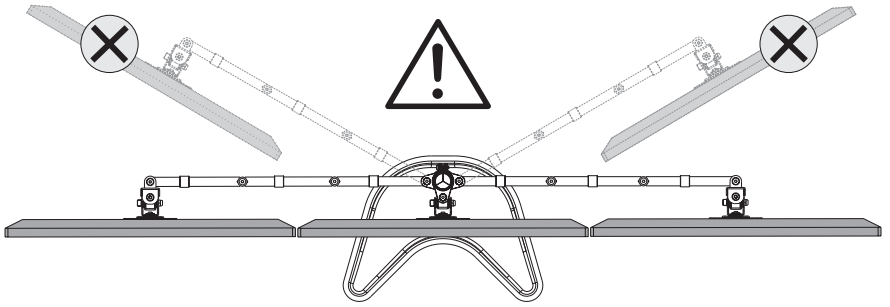
STEP 8

Store Allen keys (**L**, **J**, **K**) in cable management clips (**H**) for future adjustment.



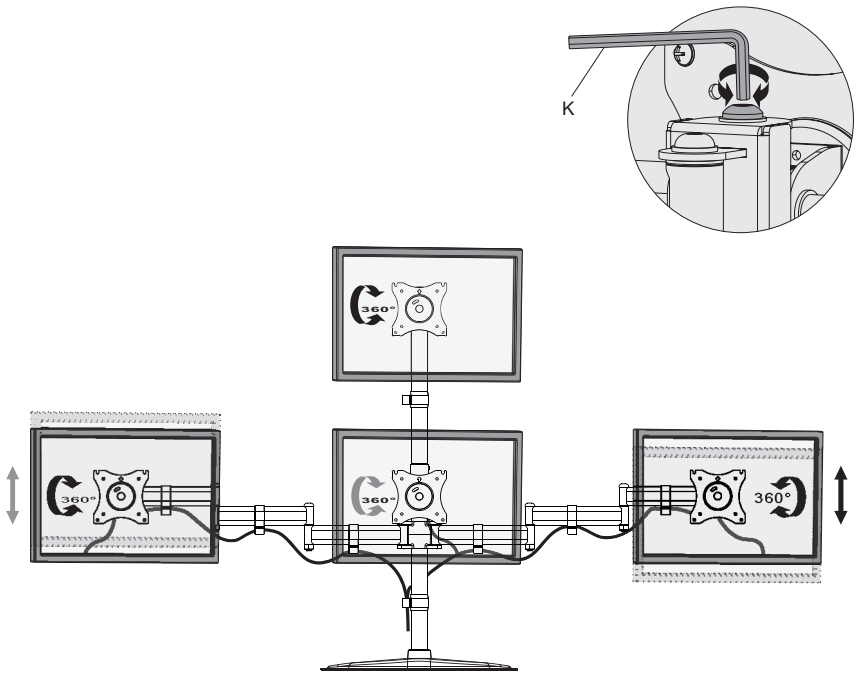
STEP 9

Do not move monitors past center of gravity. This could result in tipping.



STEP 10

Adjust height of monitors using 5mm allen key (**K**) as shown in diagram.





Open **Monday - Friday 7:00am - 7:00pm** CST,
our dedicated support team can offer immediate assistance with rapid response times. If any parts are received damaged or defective, please contact us. We are happy to replace parts to ensure you have a fully functioning product.


 help@vivo-us.com

AVG. RESPONSE TIME (*within office hrs*): **1HR 8M**

- 23% within < 15m
- 38% within < 30m
- 61% within < 1hr
- 83% within < 2hr
- 92% within < 3hr

 www.vivo-us.com
Chat live with an agent!

AVG. RESOLUTION TIME (*within office hrs*): **< 15 M**

 309-278-5303

AVG. RESOLUTION TIME (*within office hrs*): **5M 4S**