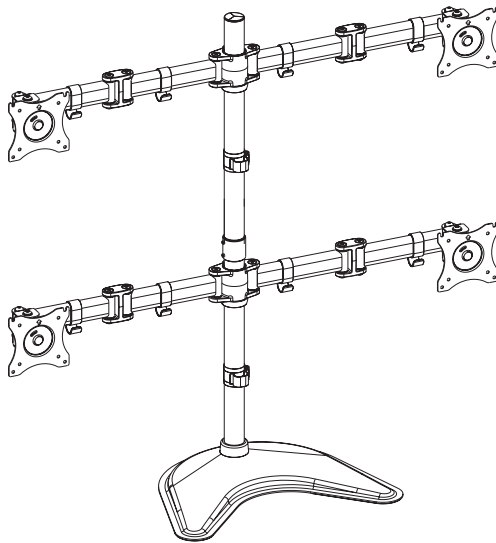




---

## Quad Monitor Desk Stand

### Instruction Manual



**SKU: STAND-V004P**



Scan the QR code with your mobile device or follow the link for helpful videos and specifications related to this product.

<https://vivo-us.com/products/stand-v004p>

---

GET IN TOUCH | Monday-Friday from 7:00am-7:00pm CST



help@vivo-us.com



www.vivo-us.com  
*Chat live with an agent!*



309-278-5303

# **WARNING!**

If you do not understand these directions, or if you have any doubts about the safety of the installation, please call a qualified technician. Check carefully to make sure there are no missing or defective parts. Improper installation may cause damage or serious injury. Do not use this product for any purpose that is not explicitly specified in this manual. Do not exceed weight capacity. We cannot be liable for damage or injury caused by improper mounting, incorrect assembly or inappropriate use.

## **TIPOVER WARNING**

SERIOUS OR FATAL CRUSHING INJURIES CAN OCCUR FROM TIPOVER. TO HELP PREVENT TIPOVER:

- **TO PREVENT TIPPING, PLEASE BE CAREFUL NOT TO EXTEND THE ARMS TOO FAR FORWARD OR BACKWARD.**
- NEVER ALLOW CHILDREN TO CLIMB, STAND, HANG, OR PLAY ON ANY PART OF MONITOR OR STAND.
- USE TIPOVER RESTRAINT OR ANCHOR STAND TO WALL

**USE OF TIPOVER RESTRAINTS MAY ONLY REDUCE, BUT NOT ELIMINATE RISK OF TIPOVER.**

## **WARNING: CHOKING HAZARD**

SMALL PARTS - NOT FOR CHILDREN UNDER 3 YEARS. ADULT SUPERVISION IS REQUIRED.

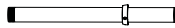
## **PACKAGE CONTENTS**



**A** (x1)  
Base



**B** (x1)  
Lower Pole



**C** (x1)  
Upper Pole



**D** (x1)  
Pole Cover



**E** (x2)  
Arm



**F** (x1)  
Pole  
Connector



**G** (x2)  
Cable Clip



**H** (x1)  
Base Cover



**I** (x1)  
3mm Allen  
Wrench



**J** (x1)  
5mm Allen  
Wrench



**K** (x1)  
6mm Allen  
Wrench



**M-A** (x16)  
M4x12



**M-B** (x16)  
M5x12



**M-C** (x16)  
D5 Washer

## TOOLS NEEDED



DO NOT EXCEED WEIGHT CAPACITY.

Failure to do so may result in serious injury.

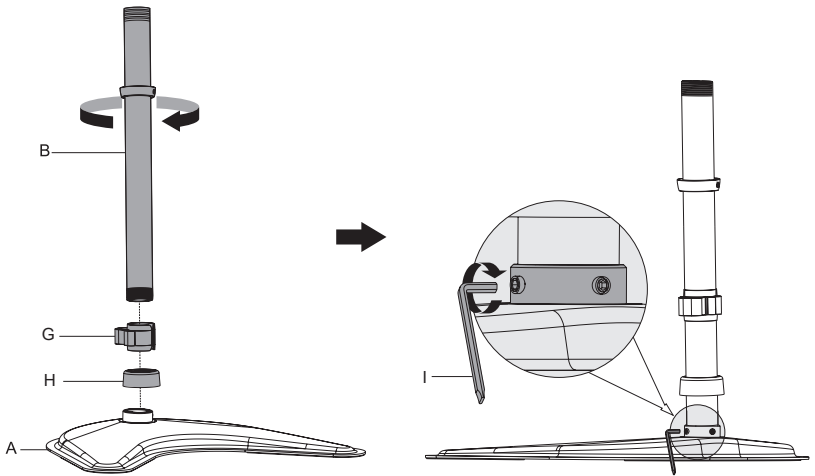
17.6lbs  
(8 kg)

PER ARM

## ASSEMBLY STEPS

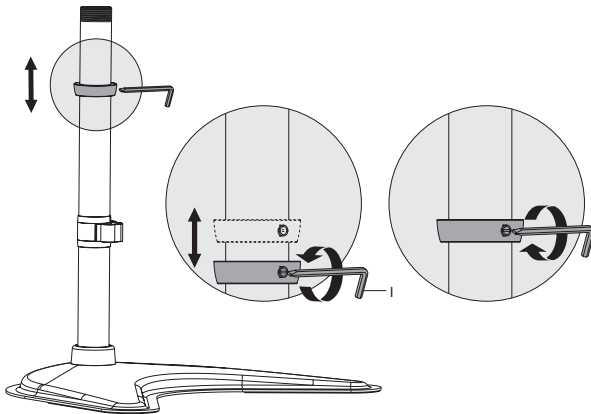
### STEP 1

Slide one cable management clip (**G**) and the base cover (**H**) onto the bottom of the lower pole (**B**). Loosen the grub screws in the base (**A**) using the 3mm Allen wrench (**I**) and screw the lower pole into the base. Tighten the grub screws using the 3mm Allen wrench (**I**).



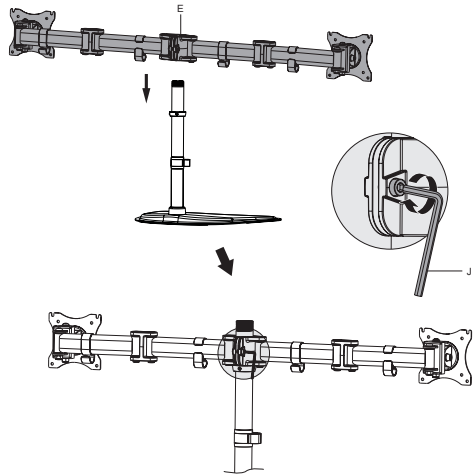
### STEP 2

If needed, adjust the support collar height using the 3mm Allen wrench (**I**).



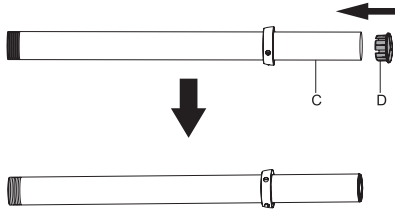
### STEP 3

Slide the first arm (**E**) onto the top of the pole and tighten using the 5mm Allen wrench (**J**).



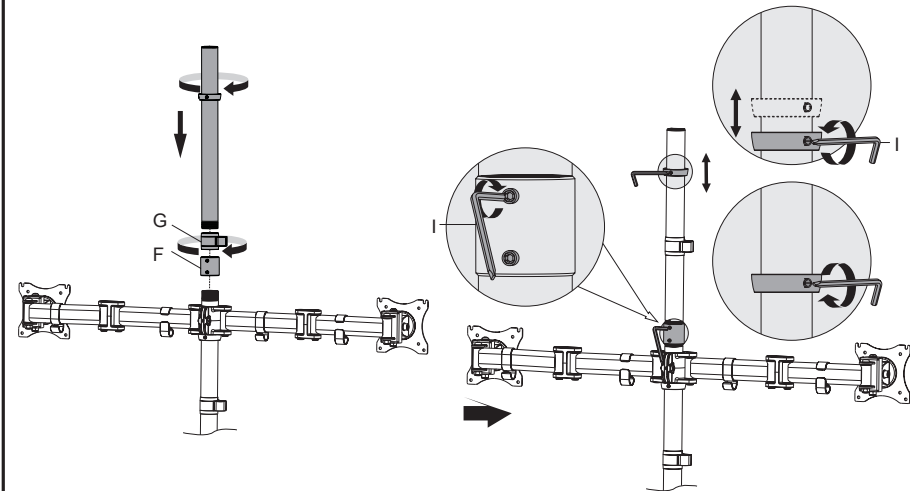
### STEP 4

Attach the pole cover (**D**) to the upper pole (**C**).



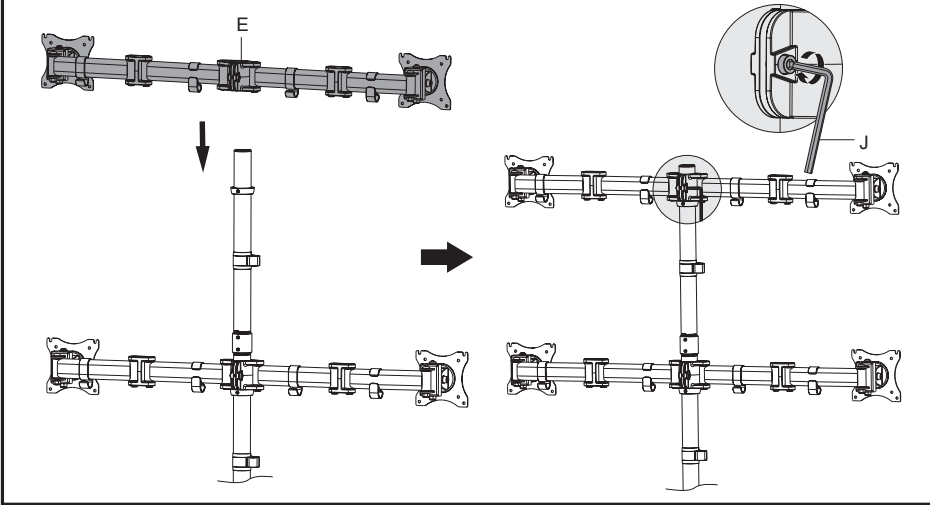
### STEP 5

Loosen the grub screws in the pole connector (**F**) using the 3mm Allen wrench (**I**), then screw the connector onto the lower pole (**B**). Slide the cable management clip (**G**) onto the bottom of the upper pole (**C**). Screw the upper pole into the pole connector, then tighten the grub screws in connector with the 3mm Allen wrench (**I**). Adjust the support collar as desired using the 3mm Allen wrench (**I**).



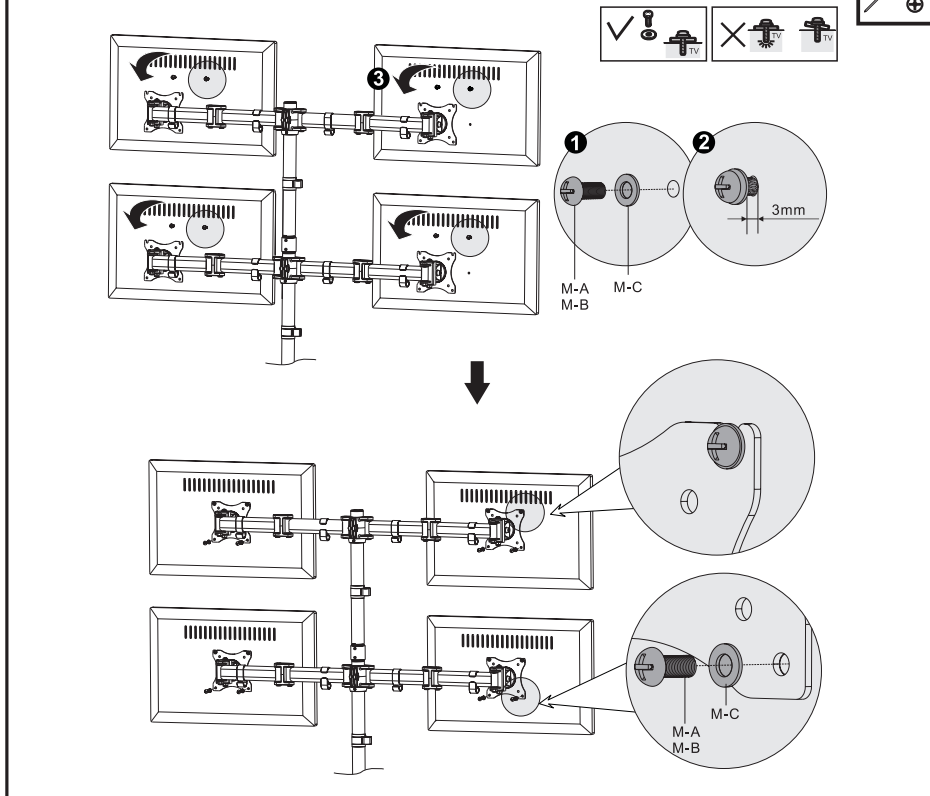
## STEP 6

Slide the second arm (E) onto the top of the upper pole and tighten using the 5mm Allen wrench (J).



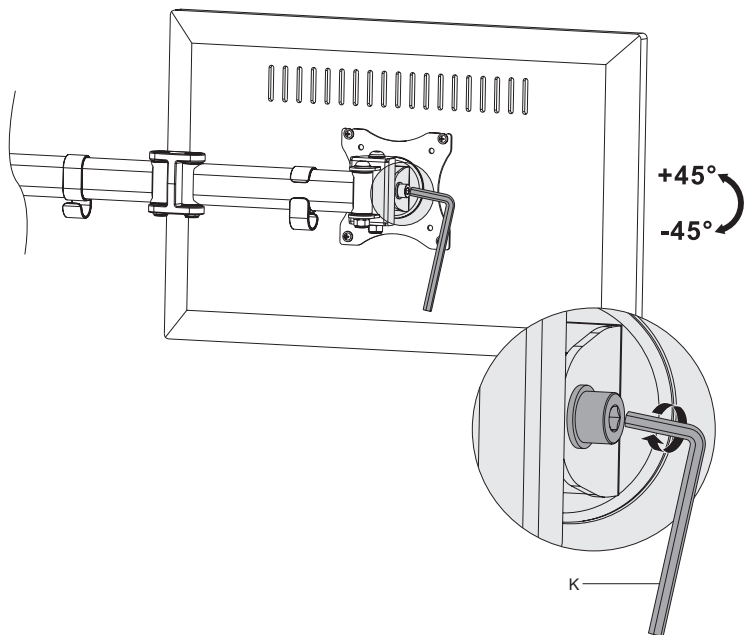
## STEP 7

Insert two bolts (M-A or M-B) and washers (M-C) into the top mounting holes of the monitors, making sure to leave 3mm of thread exposed. Align bolts (M-A, M-B) in VESA plates. Secure using two more bolts (M-A or M-B) and washers (M-C) in the bottom holes of each monitor. Tighten all bolts using a Phillips screwdriver.



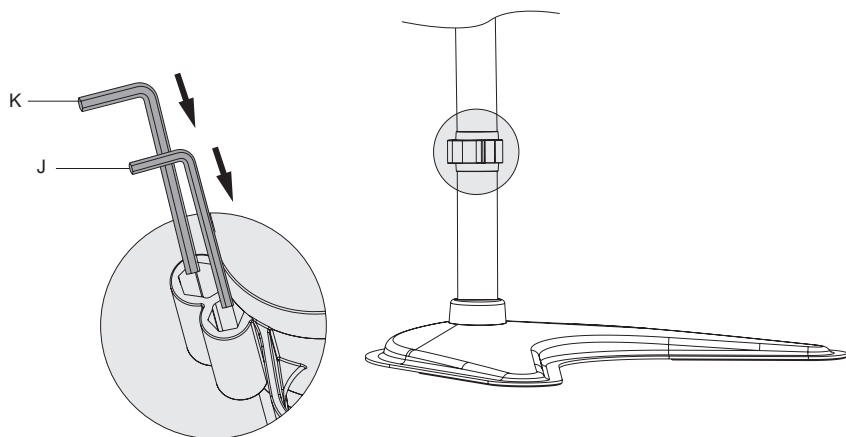
## STEP 8

Tighten or loosen the tilt joints using the 6mm Allen wrench (**K**).



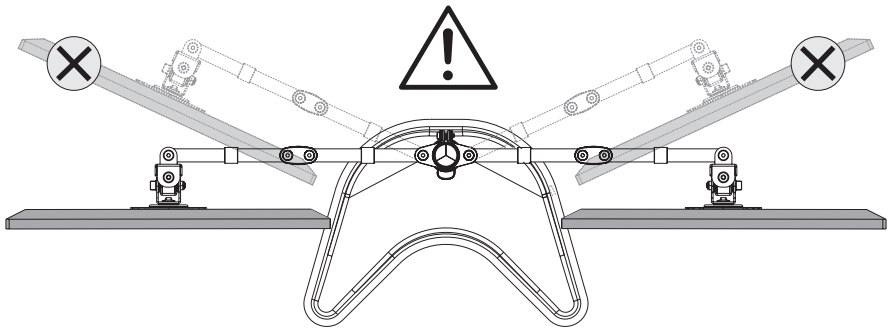
## STEP 9

Store the Allen wrenches (**J**, **K**) in the cable management clip (**G**) for future adjustments.



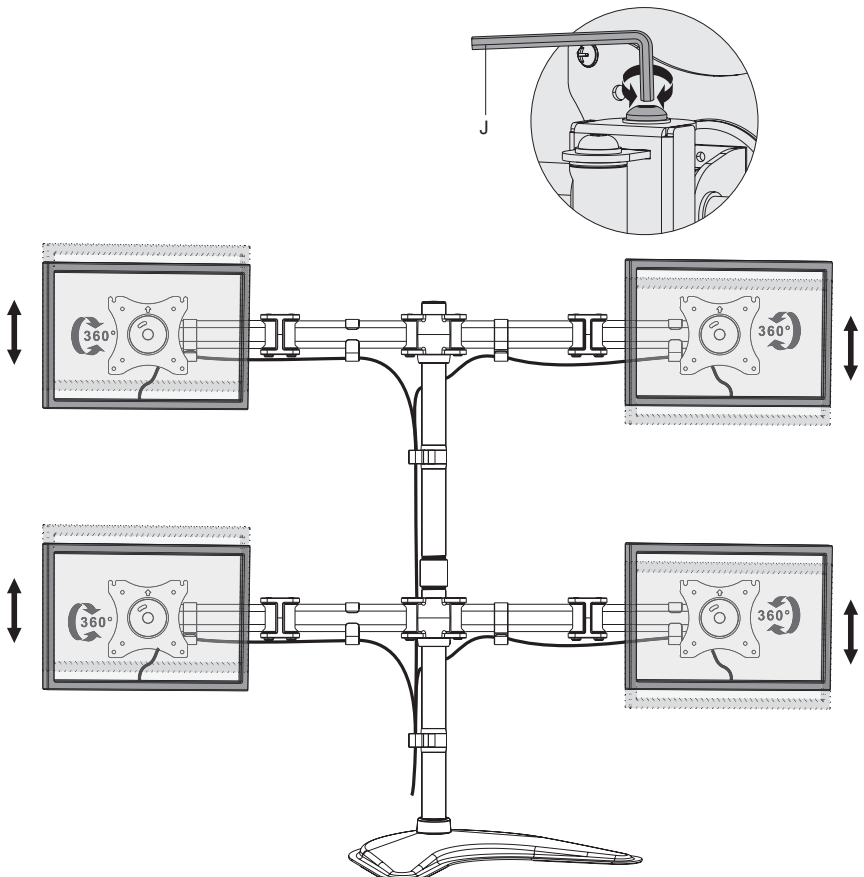
## STEP 10

Do not move monitors past the center point of gravity. This could result in tipping.



## STEP 11

If monitor heights are not aligned, turn the screw behind each VESA plate using the 5mm Allen wrench (**J**). Clockwise will raise the monitor and counter-clockwise will lower the monitor.





Open **Monday - Friday 7:00am - 7:00pm** CST,  
our dedicated support team can offer immediate assistance with rapid response times. If any parts are received damaged or defective, please contact us. We are happy to replace parts to ensure you have a fully functioning product.


 [help@vivo-us.com](mailto:help@vivo-us.com)

**AVG. RESPONSE TIME** (*within office hrs*): **1HR 8M**

- 23% within < 15m
- 38% within < 30m
- 61% within < 1hr
- 83% within < 2hr
- 92% within < 3hr

 [www.vivo-us.com](http://www.vivo-us.com)  
*Chat live with an agent!*

**AVG. RESOLUTION TIME** (*within office hrs*): **< 15 M**

 309-278-5303

**AVG. RESOLUTION TIME** (*within office hrs*): **5M 4S**