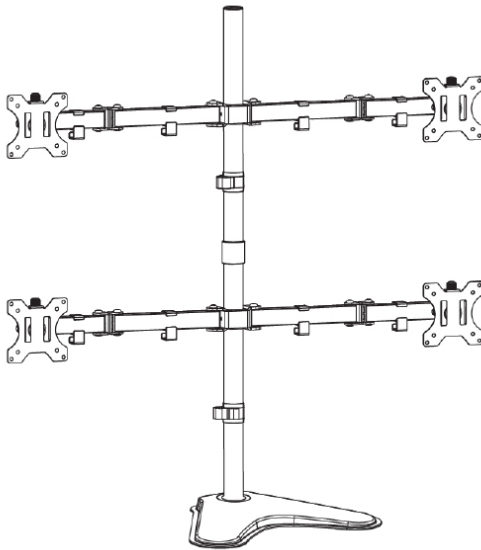




---

## Quad Monitor Desk Stand

### Instruction Manual



**SKU: STAND-V004F**



Scan the QR code with your mobile device or follow the link for helpful videos and specifications related to this product.

<https://vivo-us.com/products/stand-v004f>

---

GET IN TOUCH | Monday-Friday from 7:00am-7:00pm CST



help@vivo-us.com



www.vivo-us.com  
*Chat live with an agent!*



309-278-5303

# **WARNING!**

If you do not understand these directions, or if you have any doubts about the safety of the installation, please call a qualified technician. Check carefully to make sure there are no missing or defective parts. Improper installation may cause damage or serious injury. Do not use this product for any purpose that is not explicitly specified in this manual. Do not exceed weight capacity. We cannot be liable for damage or injury caused by improper mounting, incorrect assembly or inappropriate use.

## **TIPOVER WARNING**

SERIOUS OR FATAL CRUSHING INJURIES CAN OCCUR FROM TIPOVER. TO HELP PREVENT TIPOVER:

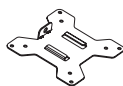
- **TO PREVENT TIPPING, PLEASE BE CAREFUL NOT TO EXTEND THE ARMS TOO FAR FORWARD OR BACKWARD.**
- NEVER ALLOW CHILDREN TO CLIMB, STAND, HANG, OR PLAY ON ANY PART OF MONITOR OR STAND.
- USE TIPOVER RESTRAINT OR ANCHOR STAND TO WALL

**USE OF TIPOVER RESTRAINTS MAY ONLY REDUCE, BUT NOT ELIMINATE RISK OF TIPOVER.**

## **WARNING: CHOKING HAZARD**

SMALL PARTS - NOT FOR CHILDREN UNDER 3 YEARS. ADULT SUPERVISION IS REQUIRED.

### **PACKAGE CONTENTS**



**A** (x4)  
VESA Plate



**B** (x2)  
Arm



**C** (x1)  
Base



**D** (x1)  
Pole



**E** (x1)  
Pole



**F** (x1)  
Pole  
Connector



**G** (x2)  
Cable Clip



**H** (x4)  
Height  
Adjustment Knob



**I** (x4)  
Bolt



**J** (x3)  
Bolt



**K** (x1)  
3mm Allen  
Wrench



**L** (x1)  
4mm Allen  
Wrench



**M** (x1)  
6mm Allen  
Wrench



**N** (x1)  
Pole Cap



**M-A** (x16)  
M4x12



**M-B** (x16)  
M4x16



**M-C** (x16)  
M5x12



**M-D** (x16)  
M5x16



**M-E** (x16)  
D5 Washer



**M-F** (x16)  
Spacer

### **TOOLS NEEDED**



**Phillips  
Screwdriver**

**NOTE:** SOME HARDWARE INCLUDED MAY NOT BE USED

**DO NOT EXCEED WEIGHT CAPACITY.**  
Failure to do so may result in serious injury.

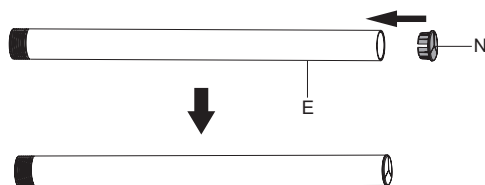


**PER ARM**

# ASSEMBLY STEPS

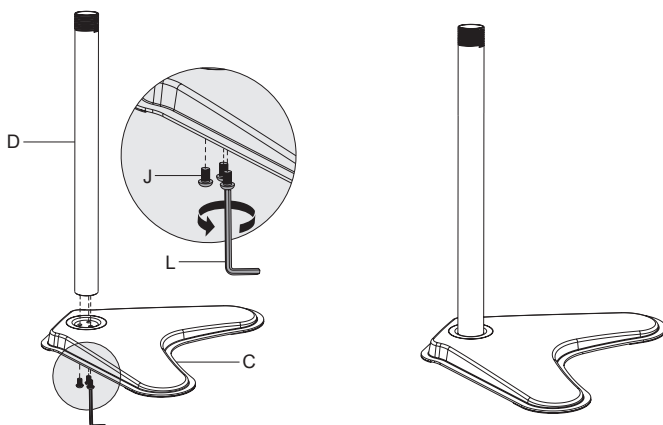
## STEP 1

Attach pole cap (N) to pole (E).



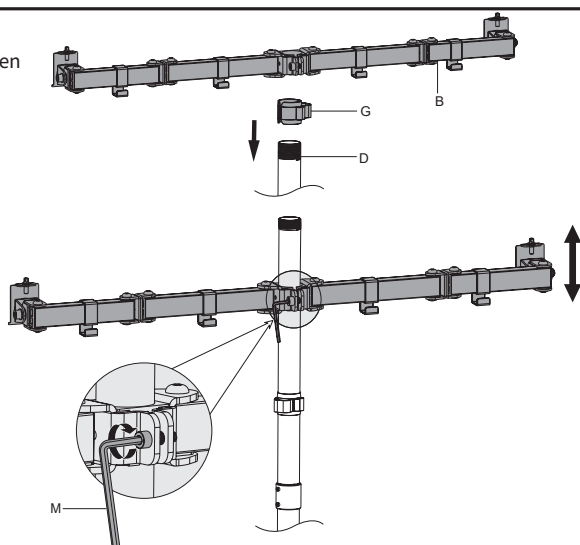
## STEP 2

Attach pole (D) to base (C) using bolts (J) and 4mm allen wrench (L).



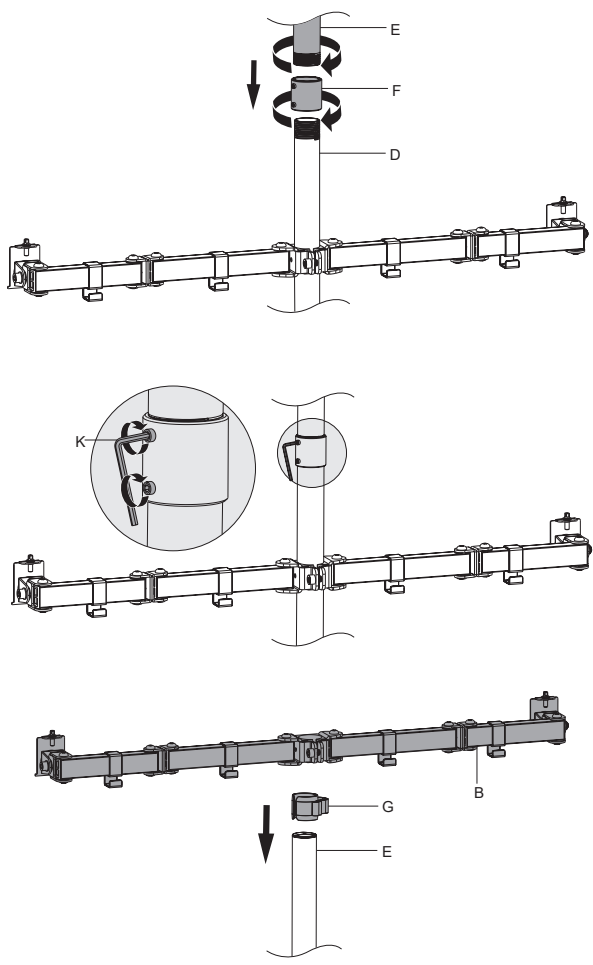
## STEP 3

Slide cable management clip (G) and arm (B) over top of pole (D) and tighten using 6mm allen wrench (M).



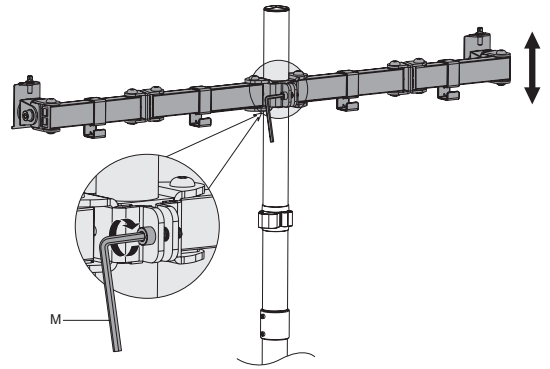
### STEP 4

Attach pole (E) to pole (D) using pole connector (F). Tighten grub screws in pole connector using 3mm allen wrench (K). Slide second cable management clip (G) and arm (B) over top of pole (E).



### STEP 5

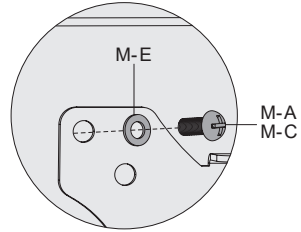
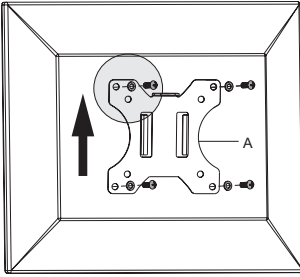
Tighten arm (B) using 6mm allen wrench (M).



## STEP 6

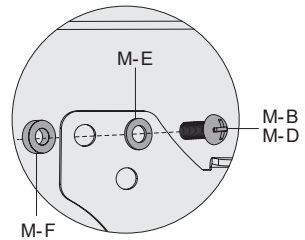
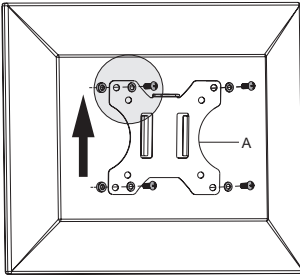
### OPTION A: Flat Back Monitor

For flat back monitor, install VESA plate (A) to monitor using bolts (M-A) or (M-C) and washers (M-E).



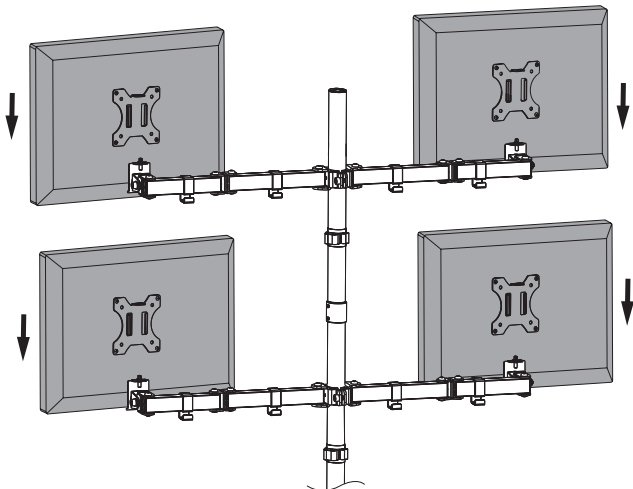
### OPTION B: Curved Back Monitor

For curved back monitor, install VESA plate (A) to monitor using bolts (M-B) or (M-D), washers (M-E), and spacers (M-F).



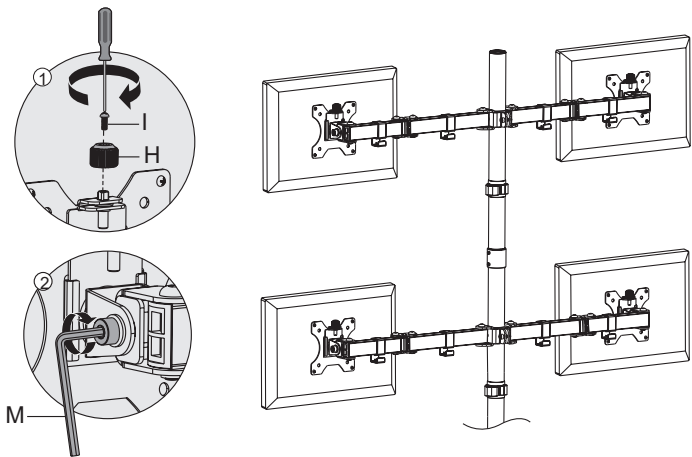
## STEP 7

Slide VESA plates (A) onto brackets on arms (B) as shown in diagram.



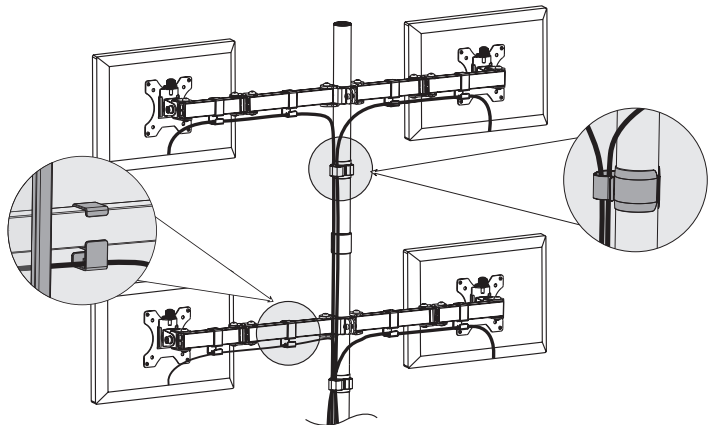
### STEP 8

Secure monitors by placing height adjustment knobs (H) on square bolts and tightening bolts (I) through the top.



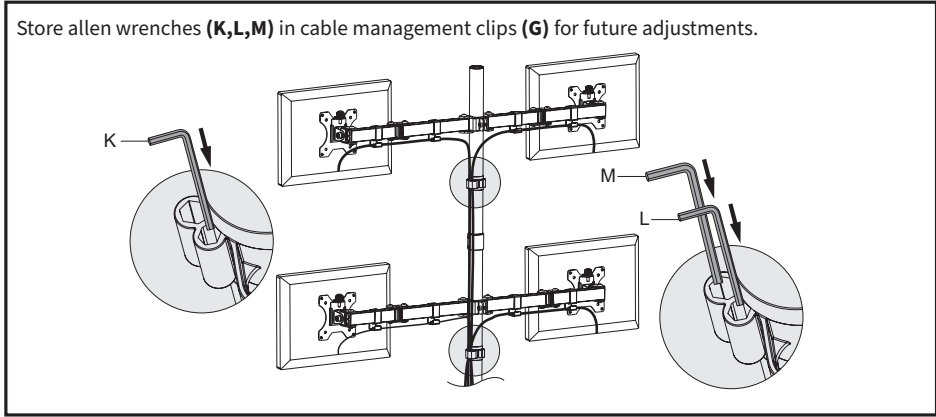
### STEP 9

Route cables through cable management clips.



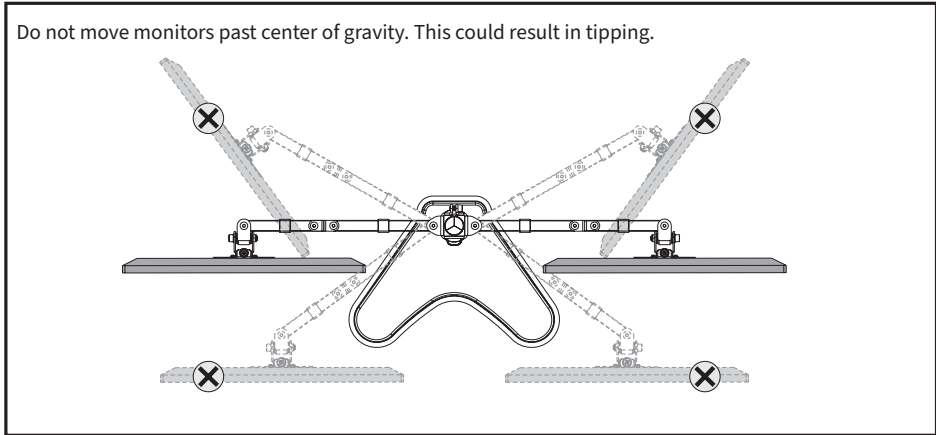
## STEP 10

Store allen wrenches (**K,L,M**) in cable management clips (**G**) for future adjustments.

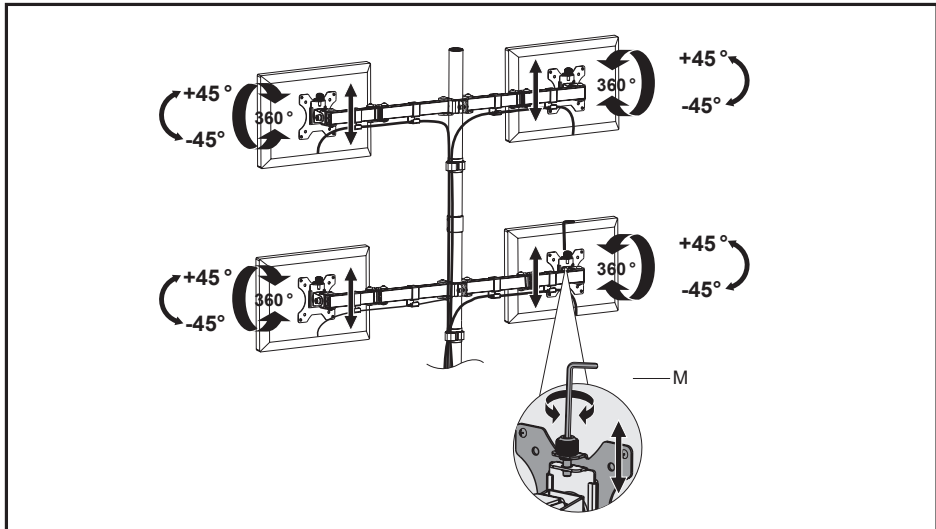


## STEP 11

Do not move monitors past center of gravity. This could result in tipping.



Adjust as Desired





Open **Monday - Friday 7:00am - 7:00pm** CST,  
our dedicated support team can offer immediate assistance with rapid response times. If any parts are received damaged or defective, please contact us. We are happy to replace parts to ensure you have a fully functioning product.


 [help@vivo-us.com](mailto:help@vivo-us.com)

**AVG. RESPONSE TIME** (*within office hrs*): **1HR 8M**

- 23% within < 15m
- 38% within < 30m
- 61% within < 1hr
- 83% within < 2hr
- 92% within < 3hr

 [www.vivo-us.com](http://www.vivo-us.com)  
*Chat live with an agent!*

**AVG. RESOLUTION TIME** (*within office hrs*): **< 15 M**

 309-278-5303

**AVG. RESOLUTION TIME** (*within office hrs*): **5M 4S**