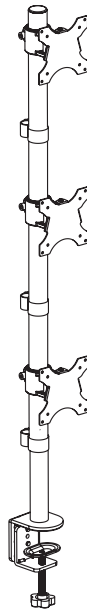




---

## Triple Vertical Monitor Desk Mount

### Instruction Manual



**SKU: STAND-V003V**



Scan the QR code with your mobile device or follow the link for helpful videos and specifications related to this product.

<https://vivo-us.com/products/stand-v003v>



help@vivo-us.com



www.vivo-us.com



1-309-278-5303

# **WARNING!**

If you do not understand these directions, or if you have any doubts about the safety of the installation, please call a qualified technician. Check carefully to make sure there are no missing or defective parts. Improper installation may cause damage or serious injury. Do not use this product for any purpose that is not explicitly specified in this manual. Do not exceed weight capacity. We cannot be liable for damage or injury caused by improper mounting, incorrect assembly or inappropriate use.

## **TIPOVER WARNING**

SERIOUS OR FATAL CRUSHING INJURIES CAN OCCUR FROM TIPOVER. TO HELP PREVENT TIPOVER:

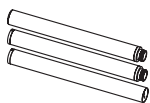
- NEVER ALLOW CHILDREN TO CLIMB, STAND, HANG, OR PLAY ON ANY PART OF MONITOR OR STAND.
- USE TIPOVER RESTRAINT OR ANCHOR STAND TO WALL

**USE OF TIPOVER RESTRAINTS MAY ONLY REDUCE, BUT NOT ELIMINATE RISK OF TIPOVER.**

## **WARNING: CHOKING HAZARD**

SMALL PARTS - NOT FOR CHILDREN UNDER 3 YEARS. ADULT SUPERVISION IS REQUIRED.

## **PACKAGE CONTENTS**



**a** (x1)  
Pole



**b** (x1)  
Clamp



**c** (x1)  
Clamp Brace



**d** (x3)  
Monitor Arm



**e** (x3)  
VESA Plate



**f** (x3)  
M4x6



**g** (x3)  
M5x14



**h** (x2)  
M8x12



**i** (x1)  
M10 Bolt



**j** (x1)  
Support Plate



**k** (x1)  
M10 Washer



**l** (x1)  
Spring Washer



**m** (x1)  
Grommet Base  
Plate



**n** (x3)  
Wire Clip



**o** (x1)  
Allen Key



**p** (x1)  
Wrench



**q** (x12)  
M4x12  
Thumbscrew



**r** (x12)  
M4x30



**s** (x12)  
M4 Spacer



**t1** (x1)  
Soft Pad



**t2** (x1)  
Soft Pad

**NOTE: SOME HARDWARE INCLUDED MAY NOT BE USED**

## TOOLS NEEDED



DO NOT EXCEED WEIGHT CAPACITY.

Failure to do so may result in serious injury.

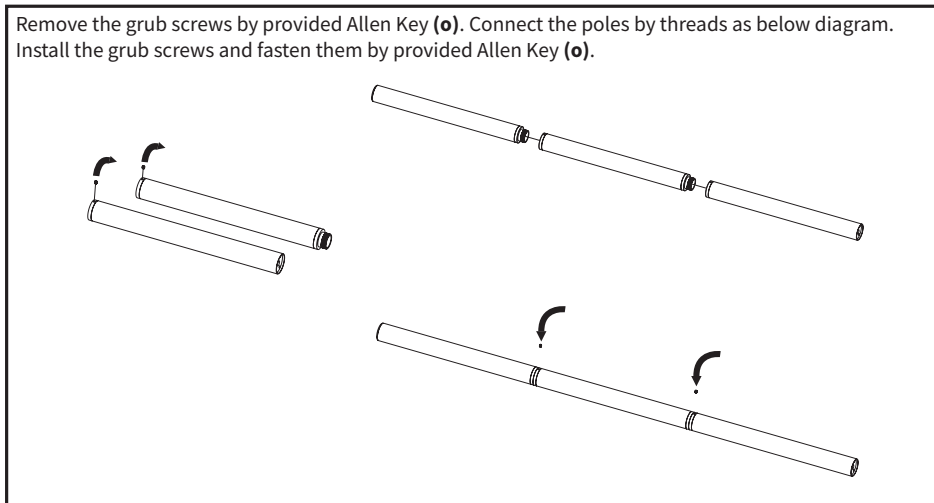
33 lbs  
(15 kg)

PER ARM

## ASSEMBLY STEPS

### PRE-ASSEMBLY

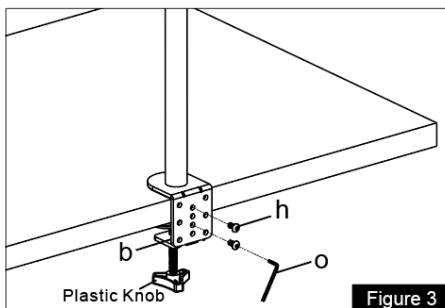
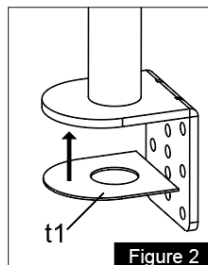
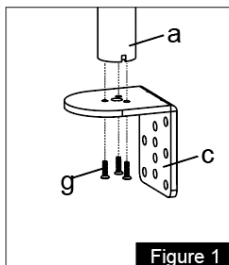
Remove the grub screws by provided Allen Key (o). Connect the poles by threads as below diagram. Install the grub screws and fasten them by provided Allen Key (o).



### STEP 1

#### OPTION A: Clamp Installation

1. Install the "C" Clamp Brace (c) to the Pole (a) using 3pcs M5x14 Bolts (g), and tighten using the Allen Key (o), see Figure 1.
2. Attach Soft Pad (t1) to the "C" Clamp Brace (c), see Figure 2.
3. Install the "C" Clamp (b) to the pole assembly according to the thickness of the desktop. The thickness can be changed to three positions. Connect it using 2pcs M8x12 Bolts (h), and tighten using the Allen Key (o). Tighten the "C" Clamp to the desktop using the plastic knob, see Figure 3.



## STEP 1 (Continued)

### OPTION B: Existing Grommet Base Installation

If the existing grommet hole comes with a plastic protector, remove it to ensure a flat surface before installing the desk mount.

1. Install the Grommet Base Plate (**m**) to the Pole (**a**) using 3pcs M5x14 Bolts (**g**), and tighten using the Allen Key (**o**), see *Figure 4*.
2. Attach Soft Pad (**t2**) to the Grommet Base Plate (**m**), see *Figure 5*.
3. Position the Pole (**a**) on the mounting surface and secure using the Support Plate (**j**), M10 Washer (**k**), Spring Washer (**l**) and M10 Bolt (**i**). Fasten the M10 Bolt using provided Wrench (**p**), see *Figure 6*.

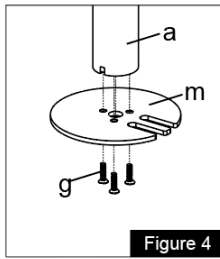


Figure 4

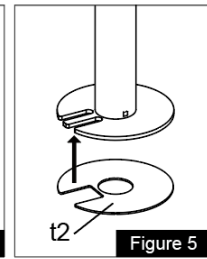


Figure 5

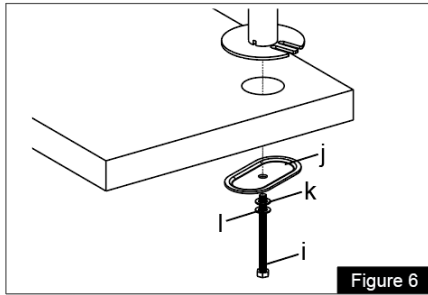


Figure 6

### OPTION C: Self-Drilled Grommet Base Installation

1. Position the Pole (**a**) on the mounting surface and mark the center hole. Drill a 3/8" (10mm) diameter hole at the marked position through the mounting surface. Install the Grommet Base Plate (**m**) to the Pole (**a**) using 3pcs M5x14 Bolts (**g**), and tighten using the Allen Key (**o**), see *Figure 7*.
2. Attach Soft Pad (**t2**) to the Grommet Base Plate (**m**), see *Figure 8*.
3. Position the Pole (**a**) on the mounting surface and secure using the Support Plate (**j**), M10 Washer (**k**), Spring Washer (**l**) and M10 Bolt (**i**). Fasten the M10 Bolt using provided Wrench (**p**), see *Figure 9*.

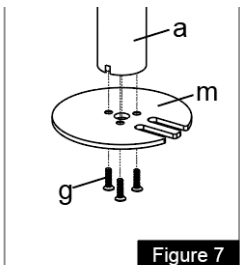


Figure 7

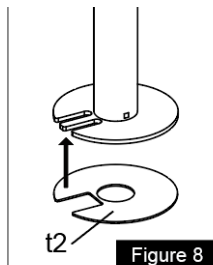


Figure 8

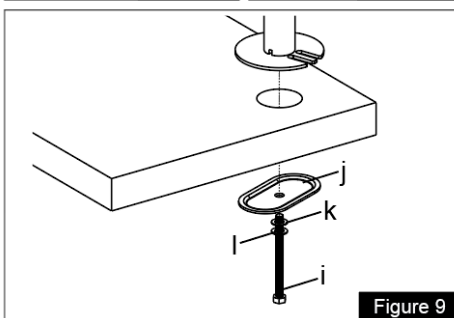
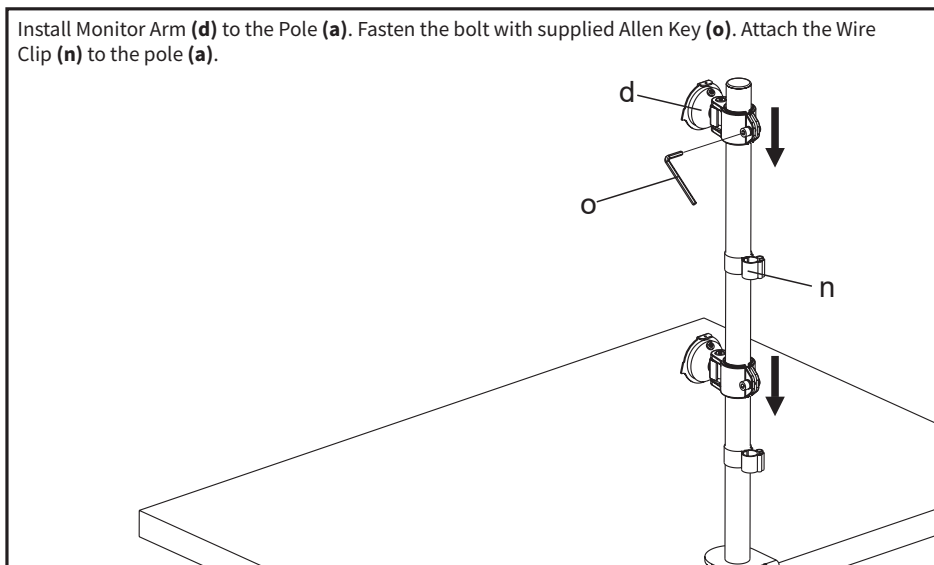


Figure 9

## STEP 2

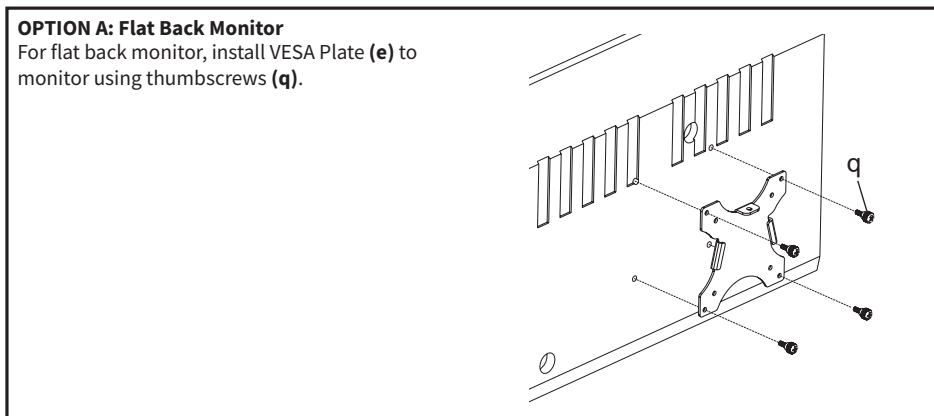
Install Monitor Arm (**d**) to the Pole (**a**). Fasten the bolt with supplied Allen Key (**o**). Attach the Wire Clip (**n**) to the pole (**a**).



## STEP 3

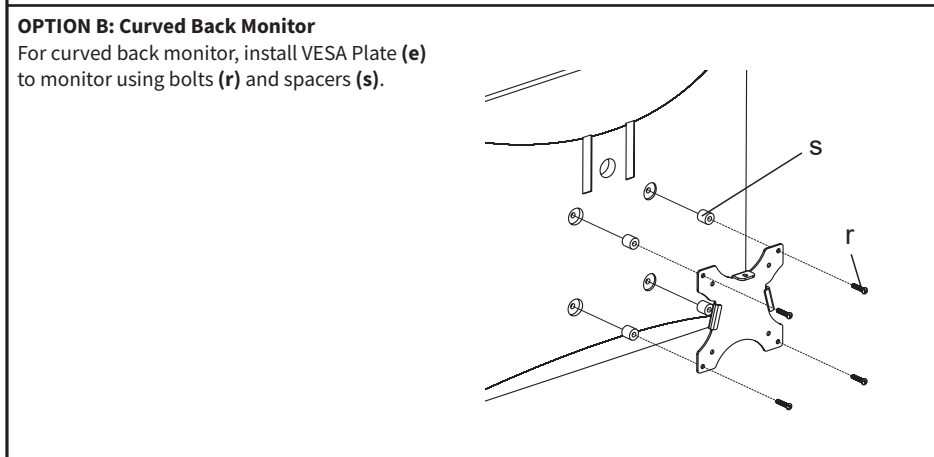
### OPTION A: Flat Back Monitor

For flat back monitor, install VESA Plate (**e**) to monitor using thumbscrews (**q**).



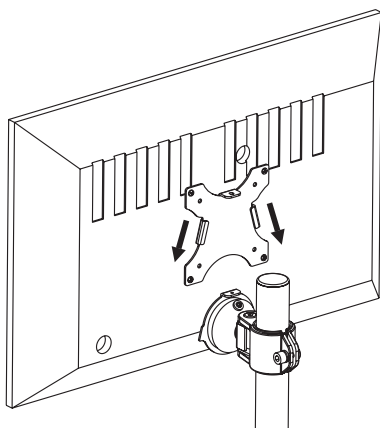
### OPTION B: Curved Back Monitor

For curved back monitor, install VESA Plate (**e**) to monitor using bolts (**r**) and spacers (**s**).

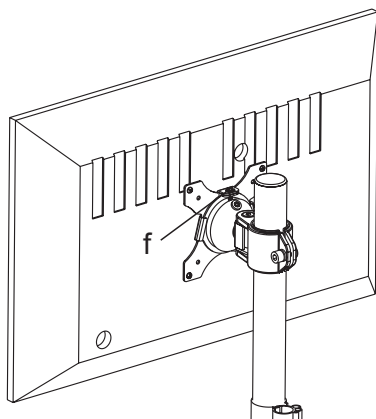


## STEP 4

Slide the monitor onto the head of Monitor Arm (d) as shown in the above diagram.

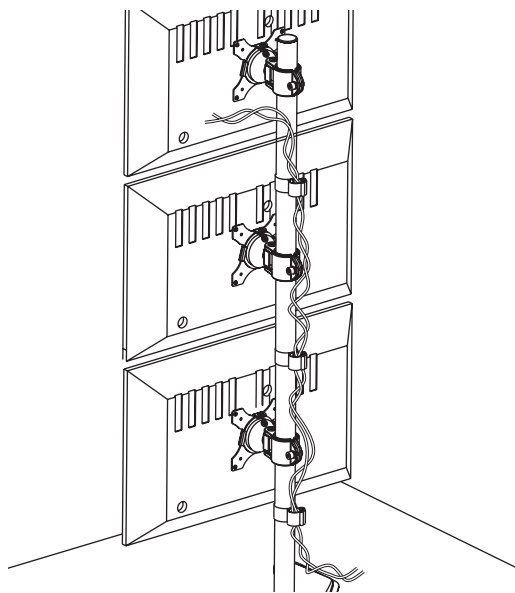
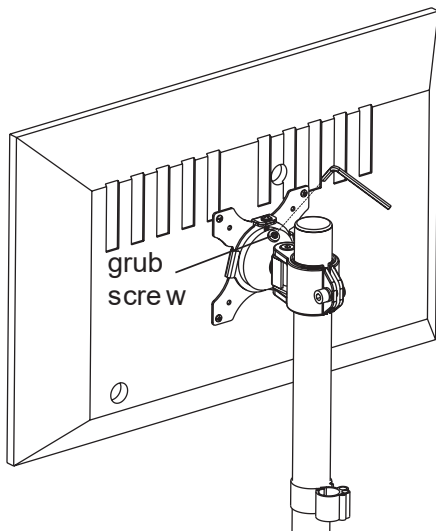


Install the M4x6 Bolt (f). Make sure the bolt is installed before you rotate the monitor.



## STEP 5

Fasten the grub screw in Monitor Arm to fix the tilting angle by provided Allen Key (●). Manage the wires as shown in the diagram below.





Love your new VIVO setup and want to share?

Tag us in your photo! [@vivo\\_us](#)

LAST UPDATED: 09/25/2019



Open **Monday-Friday from 7:00am-7:00pm CST**,

our dedicated support team can offer immediate assistance with rapid response times.

If any parts are received damaged or defective, please contact us.

We are happy to replace parts to ensure you have a fully functioning product.



[help@vivo-us.com](mailto:help@vivo-us.com)

**AVG. RESPONSE TIME** (*within office hrs*): **1HR 8M**

- 23% within < 15m
- 38% within < 30m
- 61% within < 1hr
- 83% within < 2hr
- 92% within < 3hr



[www.vivo-us.com](http://www.vivo-us.com)

**AVG. RESOLUTION TIME** (*within office hrs*): **< 15 M**



309-278-5303

**AVG. RESOLUTION TIME** (*within office hrs*): **5M 4S**

FOR MORE VIVO PRODUCTS, CHECK OUT OUR WEBSITE AT: [www.vivo-us.com](http://www.vivo-us.com)