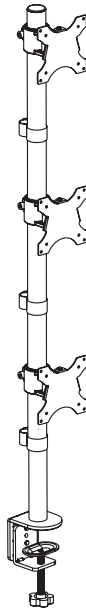




Triple Vertical Monitor Desk Mount

Instruction Manual



SKU: STAND-V003V



Scan the QR code with your mobile device or follow the link for helpful videos and specifications related to this product.

<https://vivo-us.com/products/stand-v003v>

GET IN TOUCH | Monday-Friday from 7:00am-7:00pm CST



help@vivo-us.com



www.vivo-us.com
Chat live with an agent!



309-278-5303

⚠️ WARNING!

If you do not understand these directions, or if you have any doubts about the safety of the installation, please call a qualified technician. Check carefully to make sure there are no missing or defective parts. Improper installation may cause damage or serious injury. Do not use this product for any purpose that is not explicitly specified in this manual. Do not exceed weight capacity. We cannot be liable for damage or injury caused by improper mounting, incorrect assembly or inappropriate use.

⚠️ TIPOVER WARNING

SERIOUS OR FATAL CRUSHING INJURIES CAN OCCUR FROM TIPOVER. TO HELP PREVENT TIPOVER:

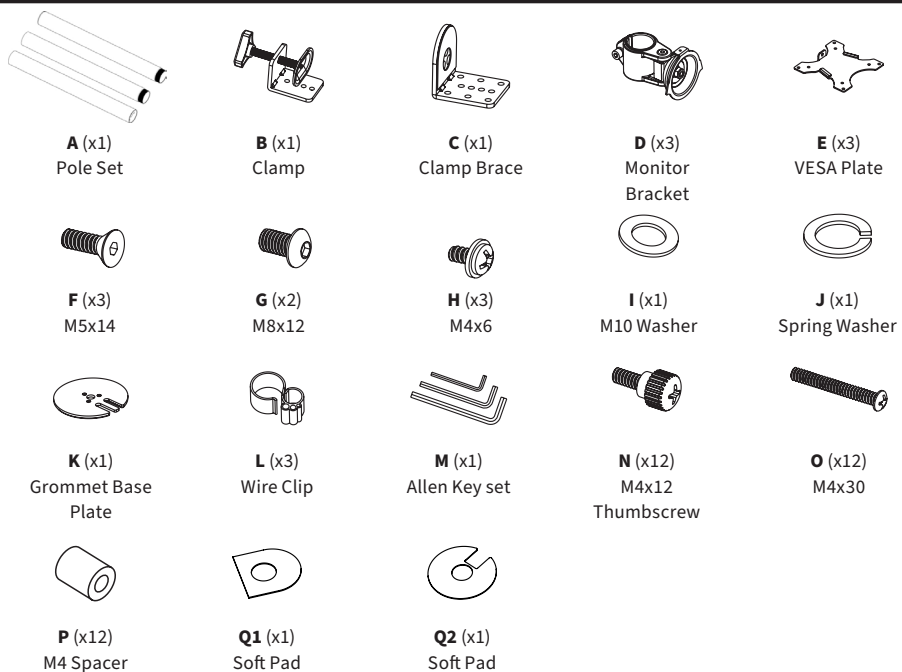
- NEVER ALLOW CHILDREN TO CLIMB, STAND, HANG, OR PLAY ON ANY PART OF MONITOR OR STAND.
- USE TIPOVER RESTRAINT OR ANCHOR STAND TO WALL

USE OF TIPOVER RESTRAINTS MAY ONLY REDUCE, BUT NOT ELIMINATE RISK OF TIPOVER.

⚠️ WARNING: CHOKING HAZARD

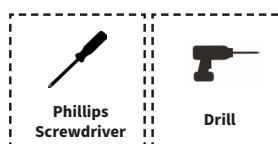
SMALL PARTS - NOT FOR CHILDREN UNDER 3 YEARS. ADULT SUPERVISION IS REQUIRED.

PACKAGE CONTENTS



NOTE: SOME HARDWARE INCLUDED MAY NOT BE USED

TOOLS NEEDED



DO NOT EXCEED WEIGHT CAPACITY.

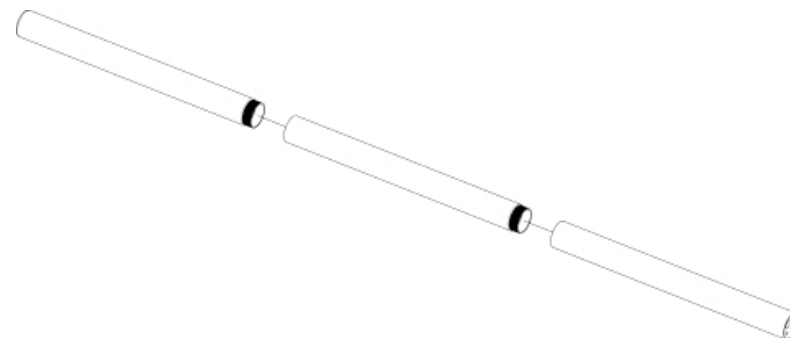
Failure to do so may result in serious injury.



ASSEMBLY STEPS

PRE-ASSEMBLY

Thread the Pole Set **(A)** together as shown below.



STEP 1

Option A: Desk Clamp Install

1. Install the clamp brace **(C)** to the pole **(A)** using x3 M5x14 bolts **(F)**. See Figure 1.
2. Attach soft pad **(Q1)** to the clamp brace **(C)**, see Figure 2.
3. Install the clamp **(B)** to the pole assembly according to the thickness of the desktop. The thickness can be changed to 3 positions. Connect using x2 M8x12 bolts **(G)** and tighten using the Allen key **(M)**. Tighten the clamp to the desktop using the plastic knob. See Figure 3.

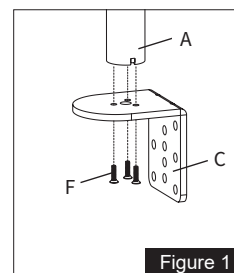


Figure 1

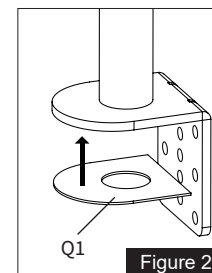


Figure 2

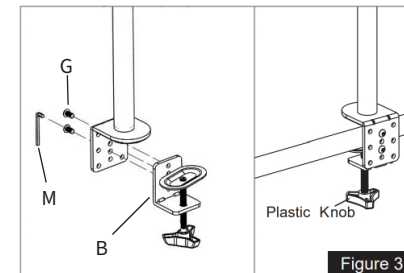
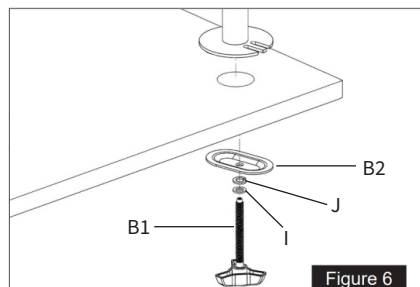
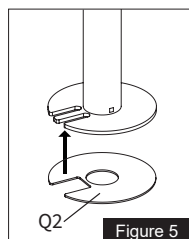
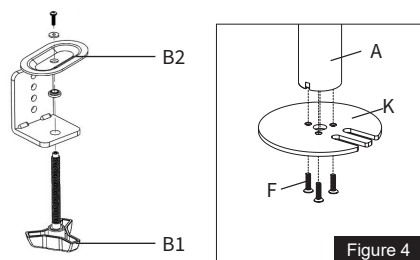


Figure 3

STEP 1 (Continued)

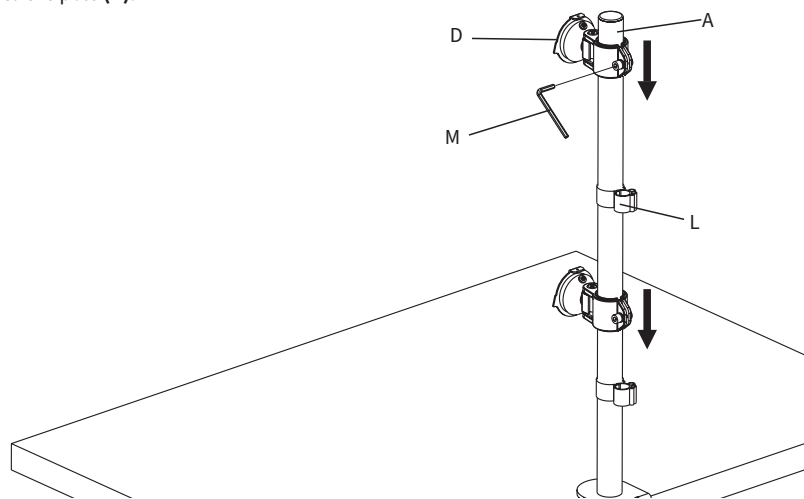
Option B: Grommet Install

1. If desk does not have an existing grommet hole, drill a 3/8" (10mm) diameter hole at the desired position through the mounting surface.
2. Completely disassemble clamp (B) into individual parts. Set knob (B1) and clamp plate (B2) aside for later use. The L bracket, bolt, washer and bushing will not be used.
3. Install grommet base plate (K) to the pole (A) using x3 M5x14 bolts (F). See Figure 4.
4. Attach soft pad (Q2) to the grommet base plate (K), see Figure 5.
5. Position pole (A) on the mounting surface and secure using the clamp plate (B2), spring washer (J), M10 washer (I) and knob (B1). See Figure 6.



STEP 2

Install Monitor Bracket (D) to the Pole (A). Fasten the bolt with supplied Allen Key (M). Attach the Wire Clip (L) to the pole (A).

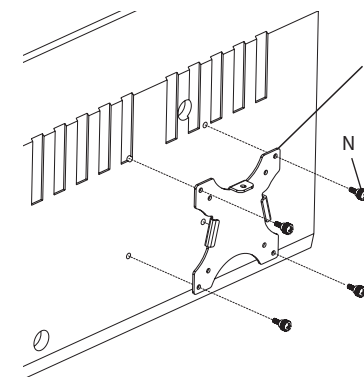


STEP 3

OPTION A: Flat Back Monitor

For flat back monitor, install VESA Plate (E) to monitor using thumbscrews (N).

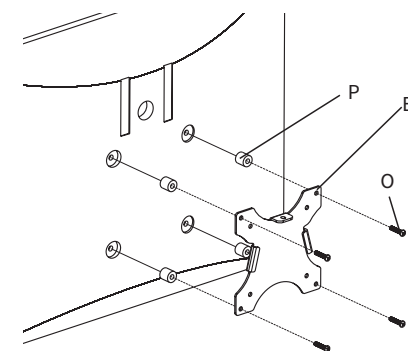
NOTE: Hand tighten screws to avoid over tightening.



OPTION B: Curved Back Monitor

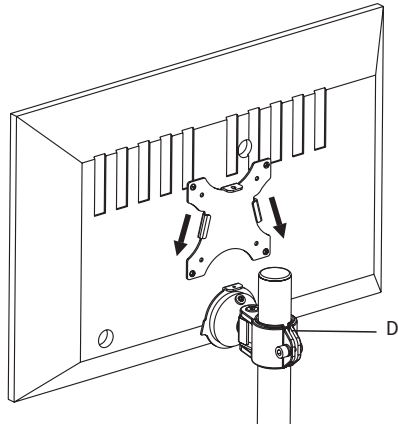
For curved back monitor, install VESA Plate (E) to monitor using bolts (O) and spacers (P).

NOTE: Gently tighten using a screwdriver

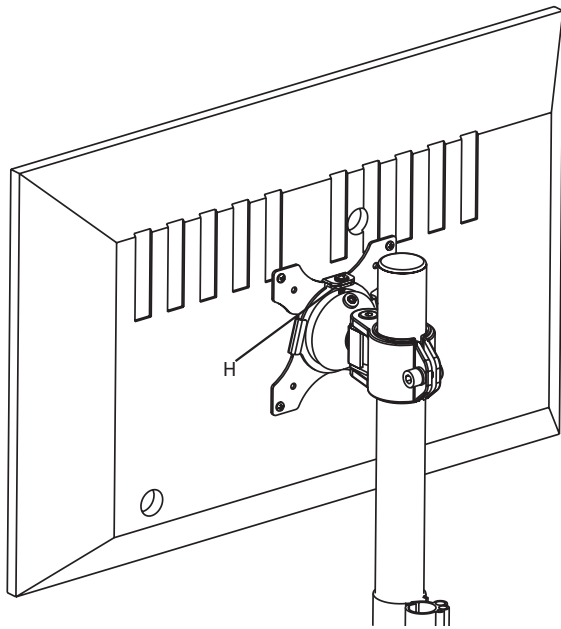


STEP 4

Slide the monitor onto the head of Monitor Bracket (**D**) as shown in the above diagram.

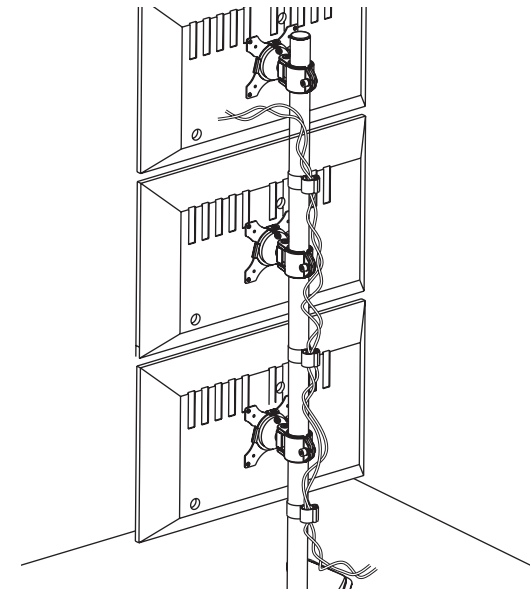
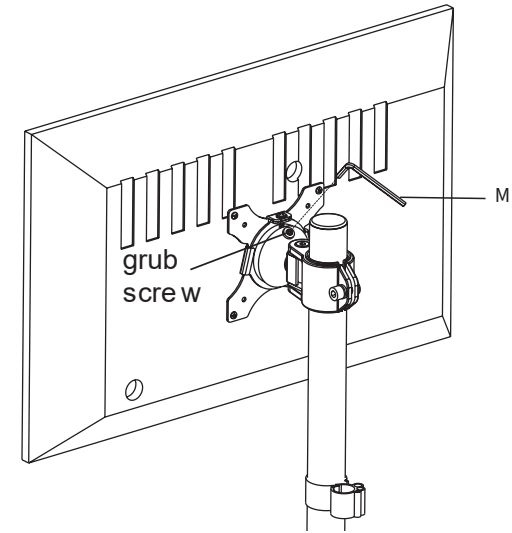


Install the M4x6 Bolt (**H**). Make sure the bolt is installed before you rotate the monitor.



STEP 5

Fasten the grub screw in Monitor Bracket to fix the tilting angle by provided Allen Key (**M**). Manage the wires as shown in the diagram below.





Love your new VIVO setup and want to share?
Tag us in your photo! **@vivo_us**

LAST UPDATED: 10/24/2022
REV1



Open **Monday - Friday 7:00am - 7:00pm** CST,
our dedicated support team can offer immediate assistance with rapid response times. If any parts are received damaged or defective, please contact us. We are happy to replace parts to ensure you have a fully functioning product.



www.vivo-us.com
Chat live with an agent!

AVG. RESOLUTION TIME (*within office hrs*): **< 15 M**



309-278-5303

AVG. RESOLUTION TIME (*within office hrs*): **5M 4S**



help@vivo-us.com

AVG. RESPONSE TIME (*within office hrs*): **1HR 8M**

- 23% within < 15m
- 38% within < 30m
- 61% within < 1hr
- 83% within < 2hr
- 92% within < 3hr

FOR MORE VIVO PRODUCTS, CHECK OUT OUR WEBSITE AT: www.vivo-us.com