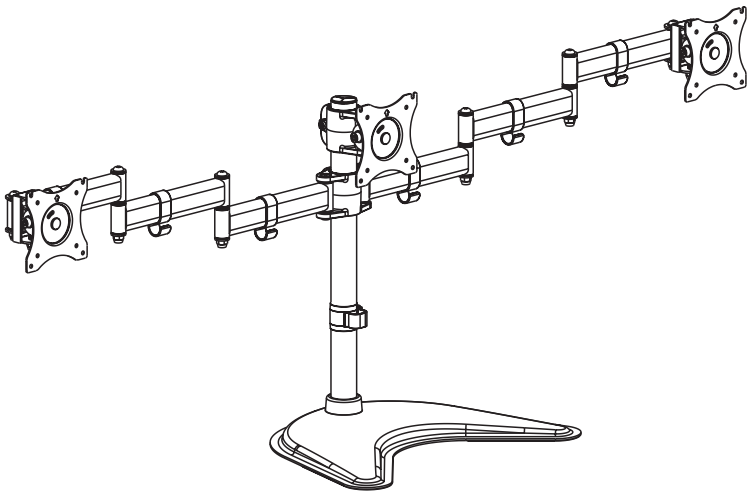




Triple Monitor Desk Stand

Instruction Manual



SKU: STAND-V003P



Scan the QR code with your mobile device or follow the link for helpful videos and specifications related to this product.

<https://vivo-us.com/products/stand-v003p>

GET IN TOUCH | Monday-Friday from 7:00am-7:00pm CST



help@vivo-us.com



www.vivo-us.com
Chat live with an agent!



309-278-5303

WARNING!

If you do not understand these directions, or if you have any doubts about the safety of the installation, please call a qualified technician. Check carefully to make sure there are no missing or defective parts. Improper installation may cause damage or serious injury. Do not use this product for any purpose that is not explicitly specified in this manual. Do not exceed weight capacity. We cannot be liable for damage or injury caused by improper mounting, incorrect assembly or inappropriate use.

TIPOVER WARNING

SERIOUS OR FATAL CRUSHING INJURIES CAN OCCUR FROM TIPOVER. TO HELP PREVENT TIPOVER:

- **TO PREVENT TIPPING, PLEASE BE CAREFUL NOT TO EXTEND THE ARMS TOO FAR FORWARD OR BACKWARD.**
- NEVER ALLOW CHILDREN TO CLIMB, STAND, HANG, OR PLAY ON ANY PART OF MONITOR OR STAND.
- USE TIPOVER RESTRAINT OR ANCHOR STAND TO WALL

USE OF TIPOVER RESTRAINTS MAY ONLY REDUCE, BUT NOT ELIMINATE RISK OF TIPOVER.

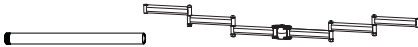
WARNING: CHOKING HAZARD

SMALL PARTS - NOT FOR CHILDREN UNDER 3 YEARS. ADULT SUPERVISION IS REQUIRED.

PACKAGE CONTENTS



A (x1)
Base



B (x1)
Pole



C (x1)
Arm



D (x2)
Side VESA
Bracket



E (x1)
Center VESA
Bracket



F (x6)
Cable Clip



G (x1)
Cable Clip



H (x1)
Pole Cover



I (x4)
Bushing



J (x2)
M8x60



K (x4)
D8 Washer



L (x2)
M8 Nut



M (x1)
3mm Allen
Wrench



N (x1)
5mm Allen
Wrench



O (x1)
6mm Allen
Wrench



P (x1)
Wrench



M-A (x12)
M4x12



M-B (x12)
M5x12



M-C (x12)
D5 Washer

NOTE: NOT ALL HARDWARE INCLUDED WILL BE USED

TOOLS NEEDED



DO NOT EXCEED WEIGHT CAPACITY.

Failure to do so may result in serious injury.

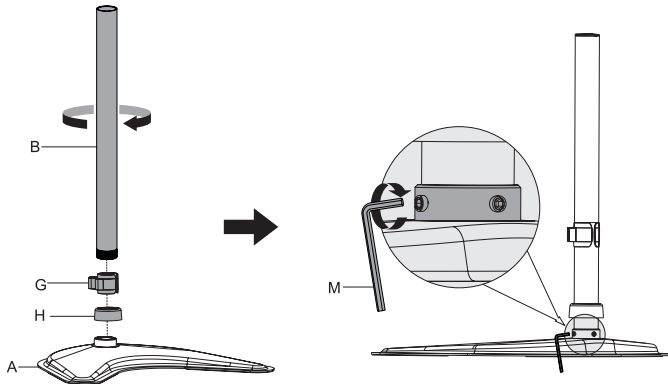
17.6lbs
(8kg)

PER ARM

ASSEMBLY STEPS

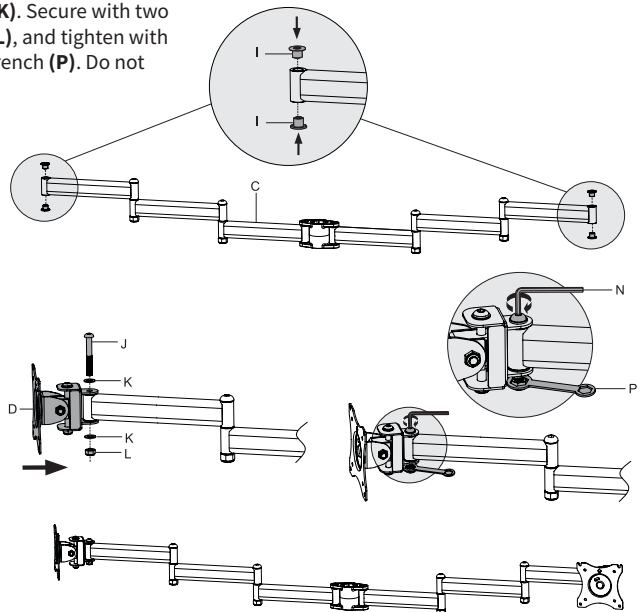
STEP 1

Slide cable management clip (**G**) and base cover (**H**) on to bottom of pole (**B**). Thread pole (**B**) into base (**A**), first loosening grub screws in the base if needed. Tighten grub screws using 3mm Allen wrench (**M**).



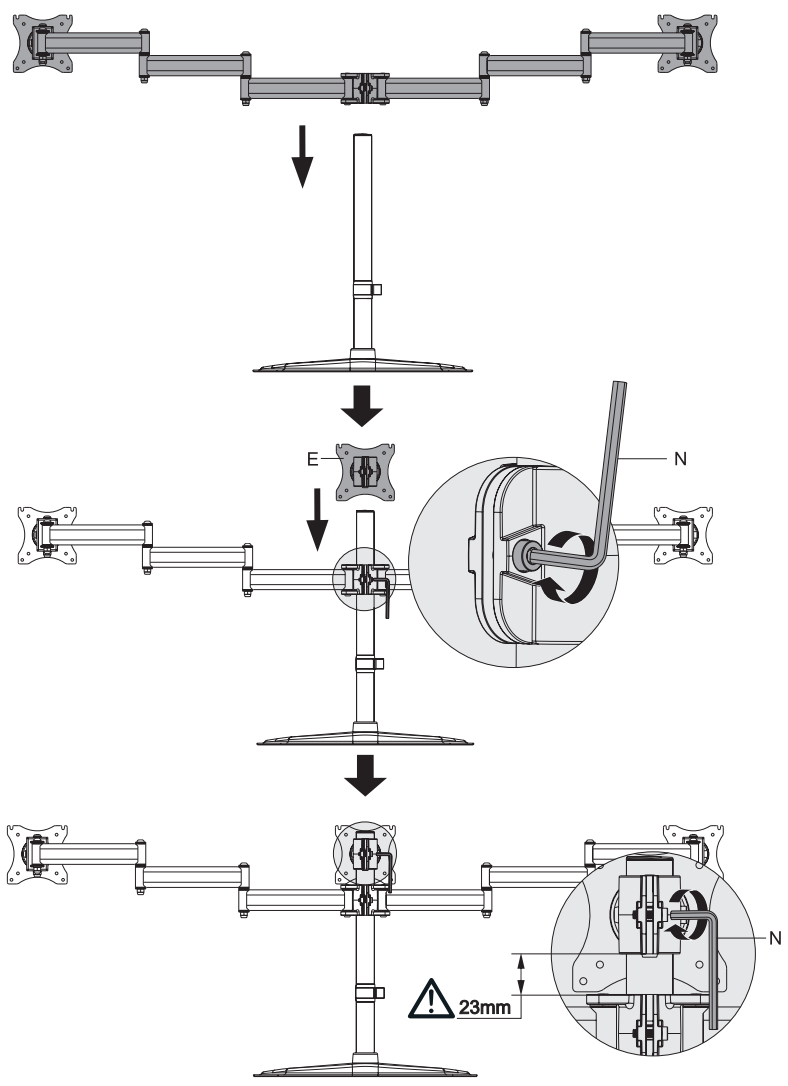
STEP 2

Place bushings (**I**) into holes at ends of arms (**C**). Place side VESA brackets (**D**) onto arms with M8x60 bolts (**J**) and two D8 washer (**K**). Secure with two D8 washers (**K**) and M8 nuts (**L**), and tighten with 5mm Allen wrench (**N**) and wrench (**P**). Do not overtighten.



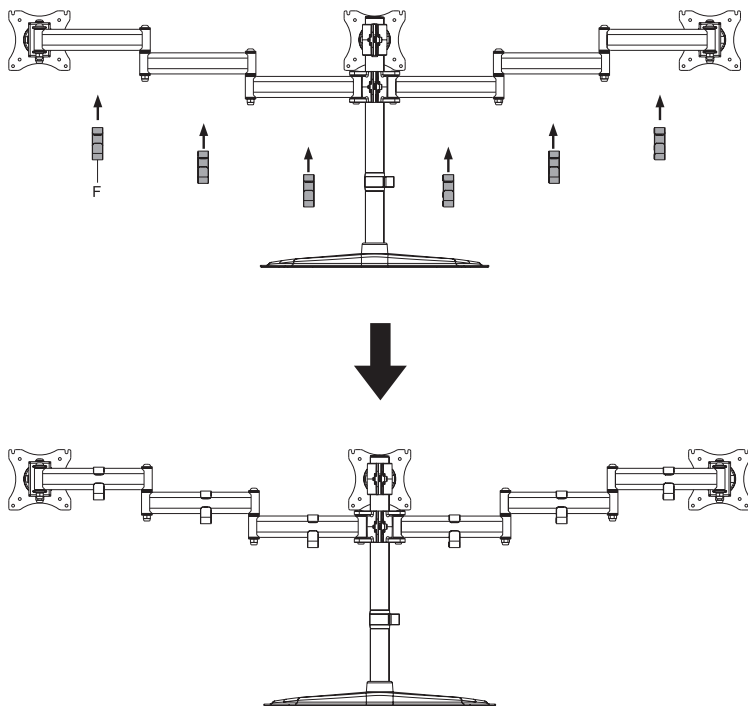
STEP 3

Slide arm (C) and center VESA bracket (E) over top of pole and tighten using 5mm Allen wrench (N).



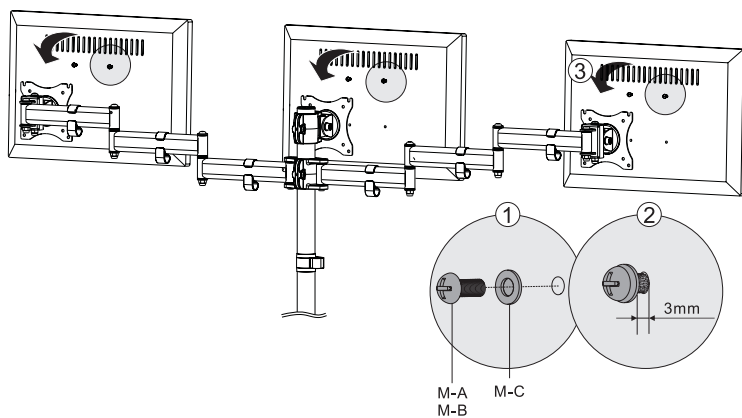
STEP 4

Attach cable management clips (**F**) to arms (**C**) as shown.



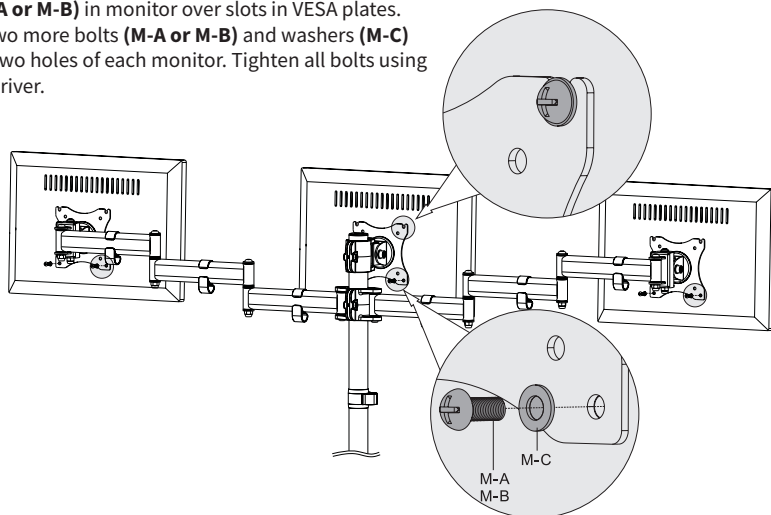
STEP 5

Attach two bolts (**M-A or M-B**) and washers (**M-C**) to top mounting holes of monitor, making sure to leave 3mm of threads exposed.



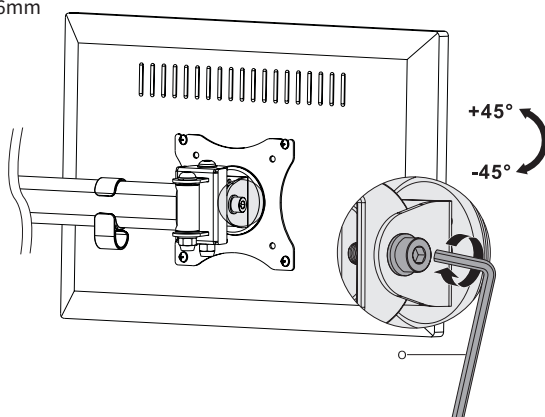
STEP 5 (Continued)

Align bolts (**M-A or M-B**) in monitor over slots in VESA plates.
Secure using two more bolts (**M-A or M-B**) and washers (**M-C**)
in the bottom two holes of each monitor. Tighten all bolts using
Phillips screwdriver.



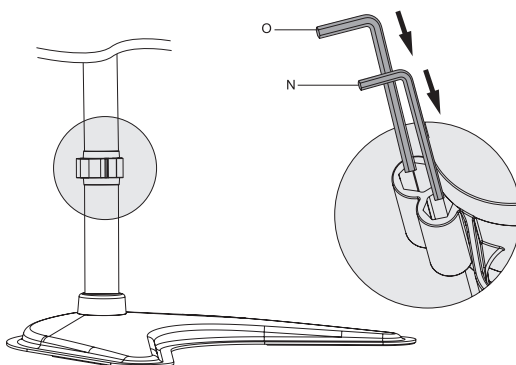
STEP 6

Adjust tension in monitor bracket with 6mm
Allen wrench (**O**).



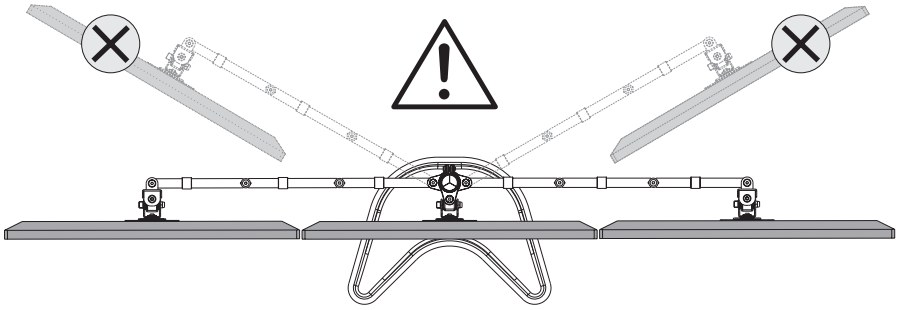
STEP 7

Store Allen wrenches (**N, O**) in cable management clip (**G**) for future use.



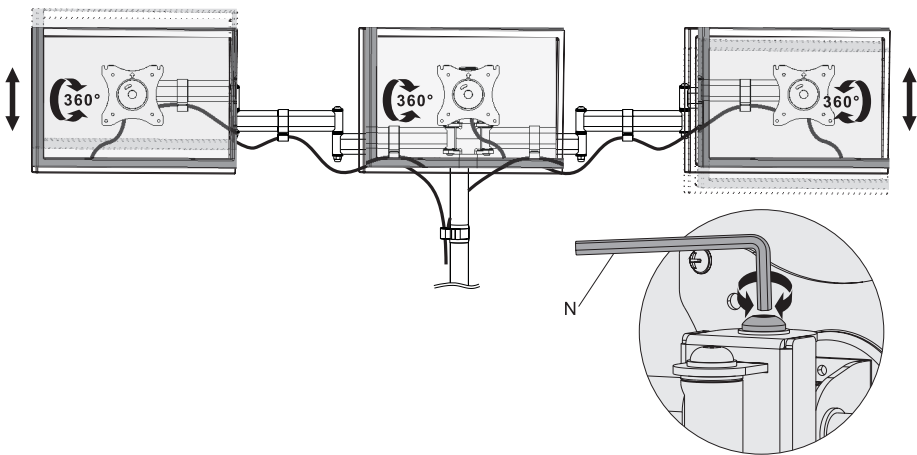
STEP 8

WARNING: Do not move monitors behind center line. Stand can become unbalanced and cause monitors to tip.



STEP 9

Adjust height of side monitors by turning bolt on top of each bracket with 5mm Allen wrench (**N**) as shown.





Open **Monday - Friday 7:00am - 7:00pm** CST,
our dedicated support team can offer immediate assistance with rapid response times. If any parts are received damaged or defective, please contact us. We are happy to replace parts to ensure you have a fully functioning product.


 help@vivo-us.com

AVG. RESPONSE TIME (*within office hrs*): **1HR 8M**

- 23% within < 15m
- 38% within < 30m
- 61% within < 1hr
- 83% within < 2hr
- 92% within < 3hr

 www.vivo-us.com
Chat live with an agent!

AVG. RESOLUTION TIME (*within office hrs*): **< 15 M**

 309-278-5303

AVG. RESOLUTION TIME (*within office hrs*): **5M 4S**