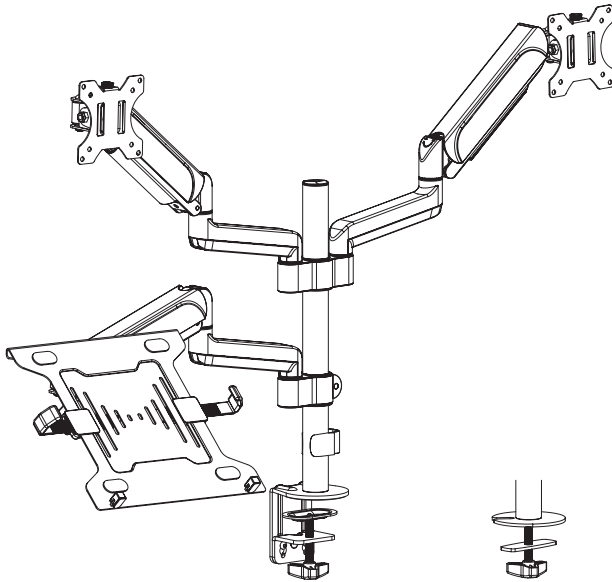




Pneumatic Arm Dual Monitor and Laptop Desk Mount Instruction Manual



SKU: STAND-V003KL



Scan the QR code with your mobile device or follow the link for helpful videos and specifications related to this product.

<https://vivo-us.com/products/stand-v003kl>

GET IN TOUCH | Monday-Friday from 7:00am-7:00pm CST



help@vivo-us.com



www.vivo-us.com
Chat live with an agent!



309-278-5303

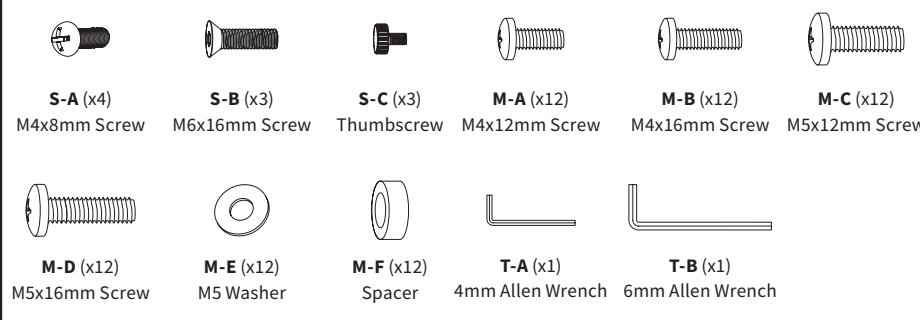
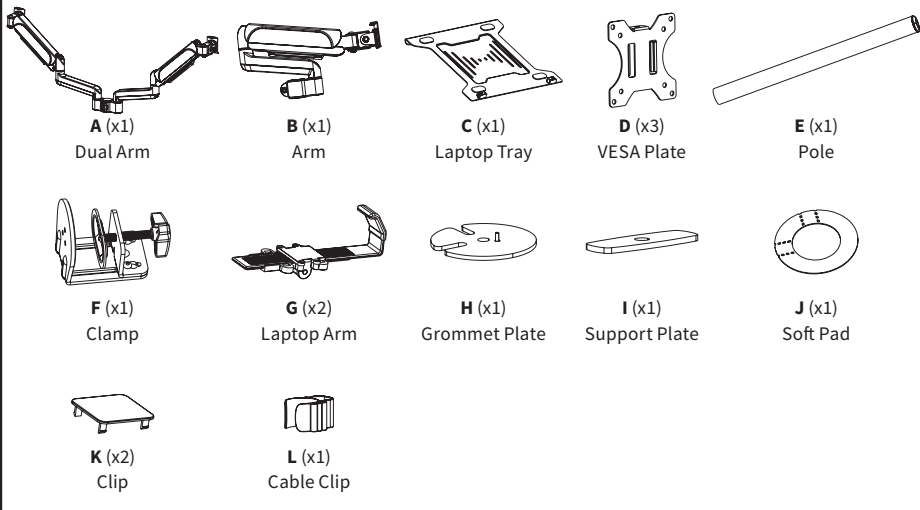
⚠ WARNING!

If you do not understand these directions, or if you have any doubts about the safety of the installation, please call a qualified technician. Check carefully to make sure there are no missing or defective parts. Improper installation may cause damage or serious injury. Do not use this product for any purpose that is not explicitly specified in this manual. Do not exceed weight capacity. We cannot be liable for damage or injury caused by improper mounting, incorrect assembly or inappropriate use.

⚠ WARNING: CHOKING HAZARD

SMALL PARTS - NOT FOR CHILDREN UNDER 3 YEARS. ADULT SUPERVISION IS REQUIRED.

PACKAGE CONTENTS



TOOLS NEEDED



NOTE: NOT ALL HARDWARE INCLUDED WILL BE USED

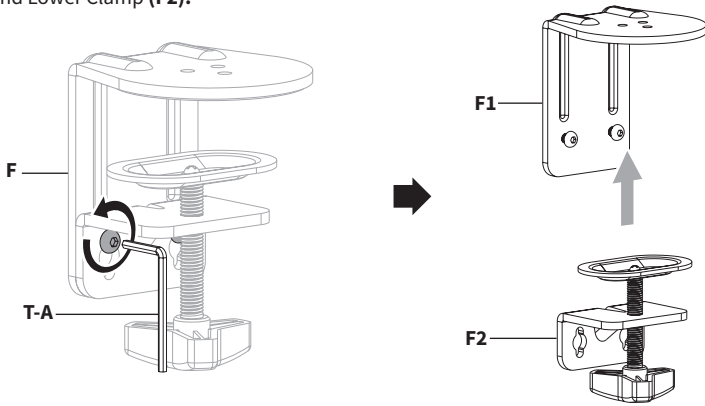
DO NOT EXCEED WEIGHT CAPACITY.
Failure to do so may result in serious injury.



ASSEMBLY STEPS

STEP 1

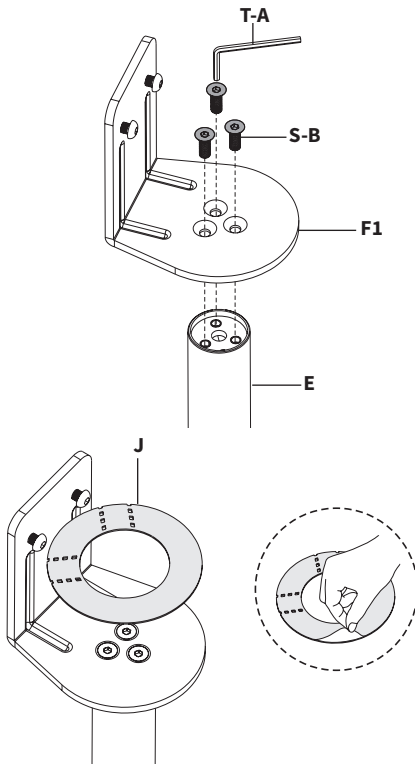
Loosen the screws on Clamp (F) using the 4mm Allen Wrench (T-A) and separate into Upper Clamp (F1) and Lower Clamp (F2).



STEP 2

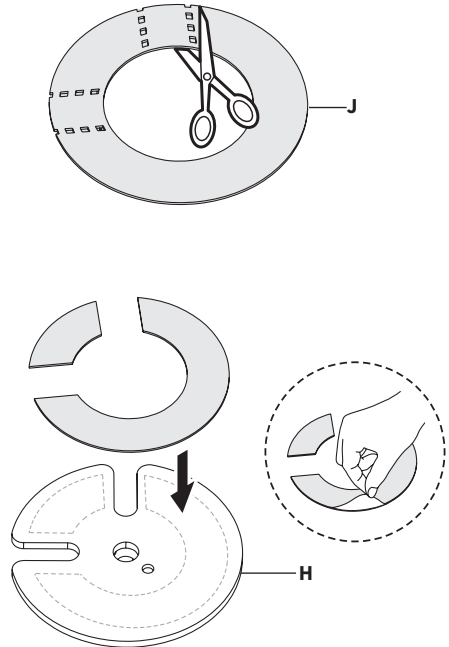
OPTION A: Clamp Installation

Assemble Upper Clamp (F1) to Pole (E) using the M6x16mm Screws (S-B) and 4mm Allen Wrench (T-A). Remove the adhesive backing on Soft Pad (J) and place it onto Upper Clamp (F1) and place it onto Upper Clamp (F1).



OPTION B: Grommet Base Installation

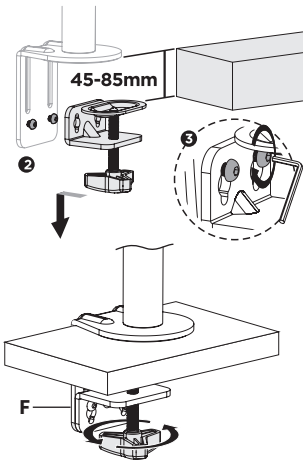
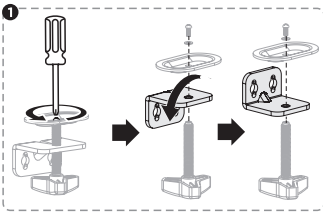
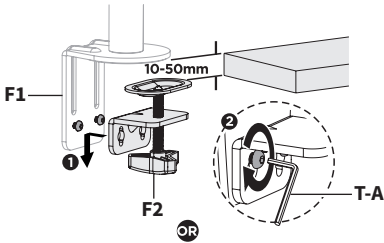
Cut Soft Pad (J) along the indentations. Remove the adhesive backing on Soft Pad (J) and place it onto Grommet Plate (H).



STEP 2 (Continued)

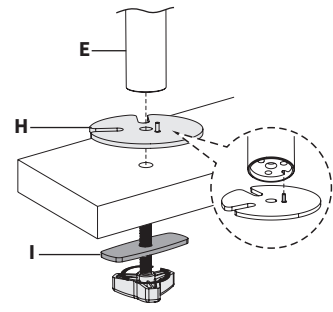
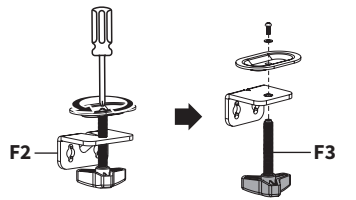
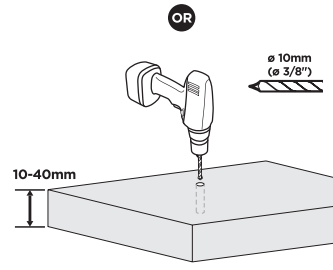
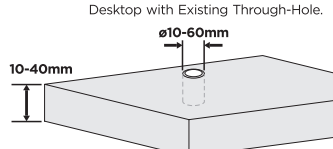
OPTION A: Clamp Installation

For thinner desktops, re-attach Lower Clamp (F2) to Upper Clamp (F1) and tighten the screws using the 4mm Allen Wrench (T-A). For thicker desktops, disassemble Lower Clamp (F2) using a Phillips screwdriver as shown below. Flip the L-bracket over and reassemble. Then re-attach Lower Clamp (F2) to Upper Clamp (F1) and tighten the screws using 4mm Allen Wrench (T-A). Secure Clamp (F) to the desktop.



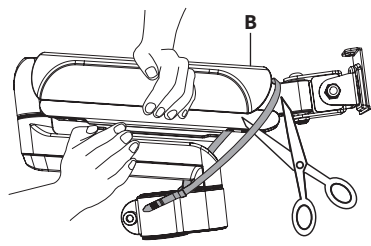
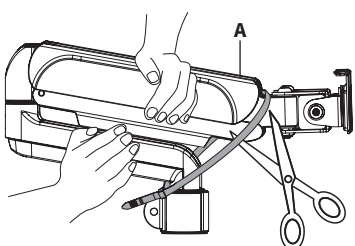
OPTION B: Grommet Installation

Using a 10mm (3/8") drill bit, drill through the desktop at least 2" away from the edge. Disassemble Lower Clamp (F2) using a Phillips screwdriver. Set aside all parts except for Clamp Bolt (F3). Assemble Pole (E) with Grommet Base (F) to the desktop using Support Plate (I) and Clamp Bolt (F3) as shown below.



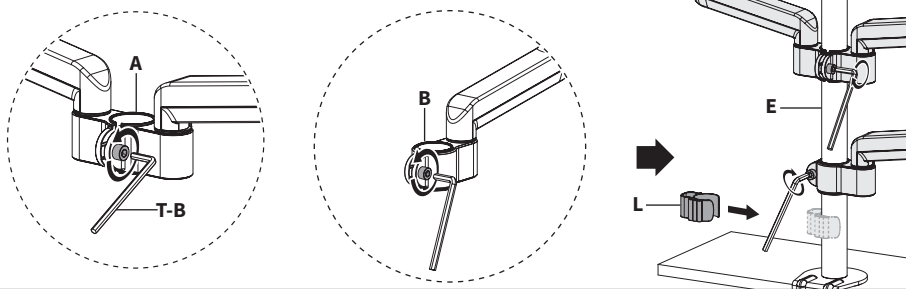
STEP 3

While holding Dual Arm (A) and Arm (B) closed, cut the shipping tie and gently release.



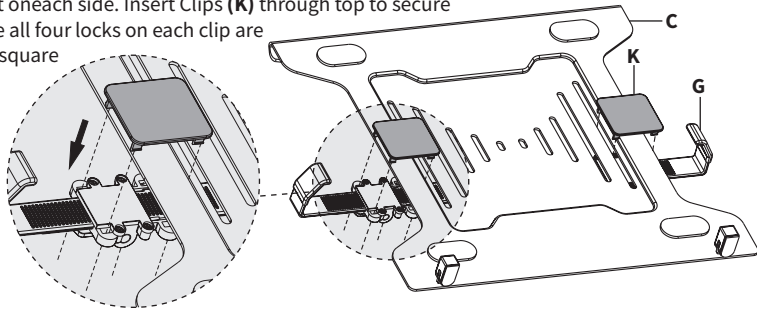
STEP 4

Loosen the screw on the back of Dual Arm (A) and Arm (B) using 6mm Allen Wrench (T-B). Slide Dual Arm (A) and Arm (B) onto Pole (E) and retighten screws. Secure Cable Clip (L) to Pole (E).



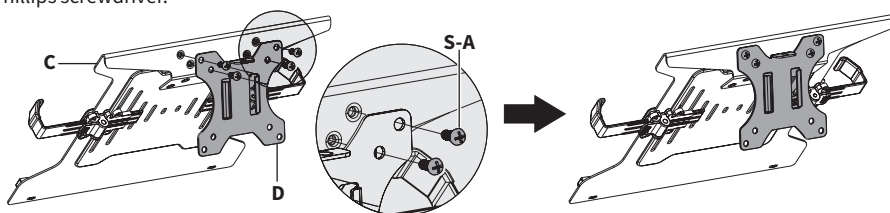
STEP 5

Place Laptop Arms (G) underneath each side of Laptop Tray (C), aligning square holes in arms with the edge and long slot on each side. Insert Clips (K) through top to secure arms, making sure all four locks on each clip are engaged with the square holes in arms.



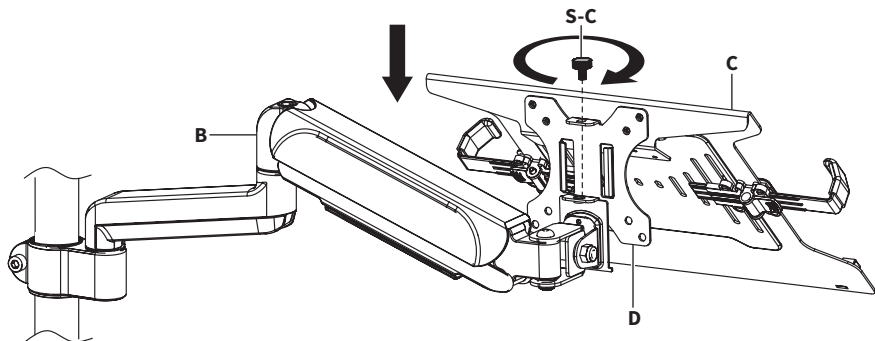
STEP 6

Attach Laptop Tray (C) to 75mm and 100mm holes on VESA Plate (D) using M4x8mm Screws (S-A) and Phillips screwdriver.



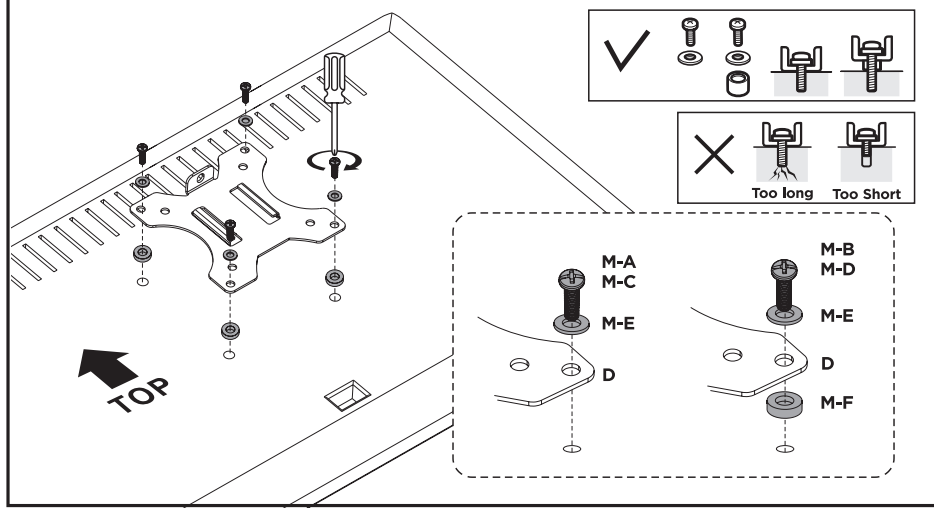
STEP 7

Slide VESA Plate (D) with Laptop Tray (C) onto Arm (B) and secure using Thumbscrew (S-C).



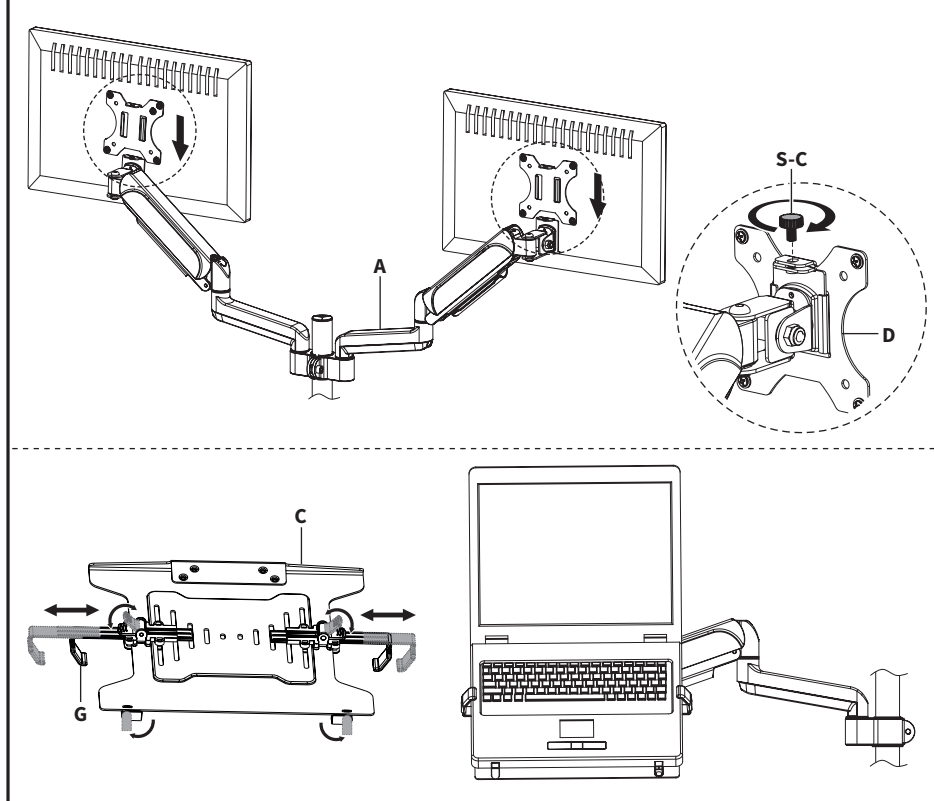
STEP 8

Attach VESA Plates (**D**) to the back of the monitors using Screws (**M-A through M-D**) and Washers (**M-E**). If needed, use Spacers (**M-F**).



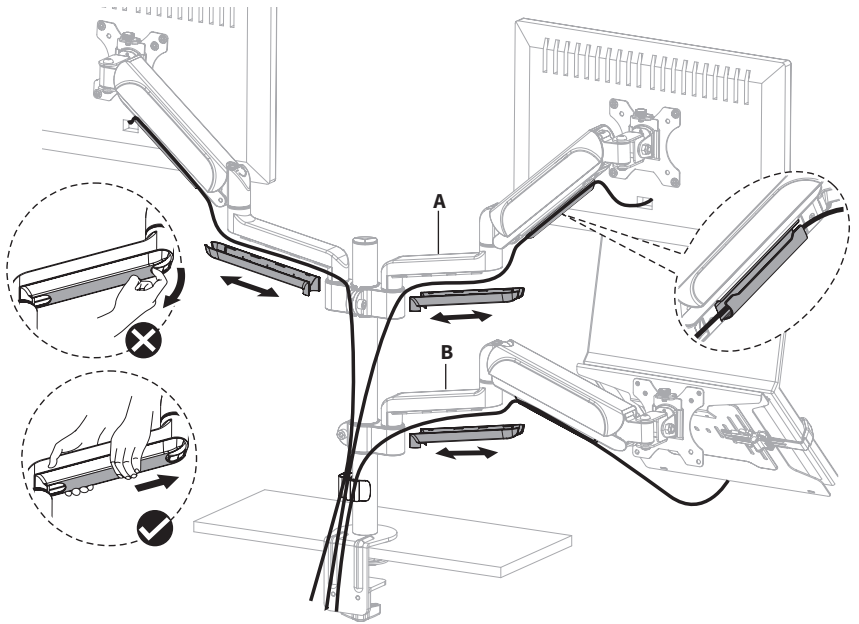
STEP 9

Slide VESA Plates (**D**) with monitors over bracket on Dual Arm (**A**). Secure using Thumbscrews (**S-C**). Release locks on underside of Laptop Arms (**G**). Extend Laptop Arms (**G**), place the laptop on Laptop Tray (**C**), then adjust Laptop Arms (**G**) to the width of the laptop. Engage locks to secure the support. If using a thicker laptop, turn the front bumpers to the upward position for additional support.



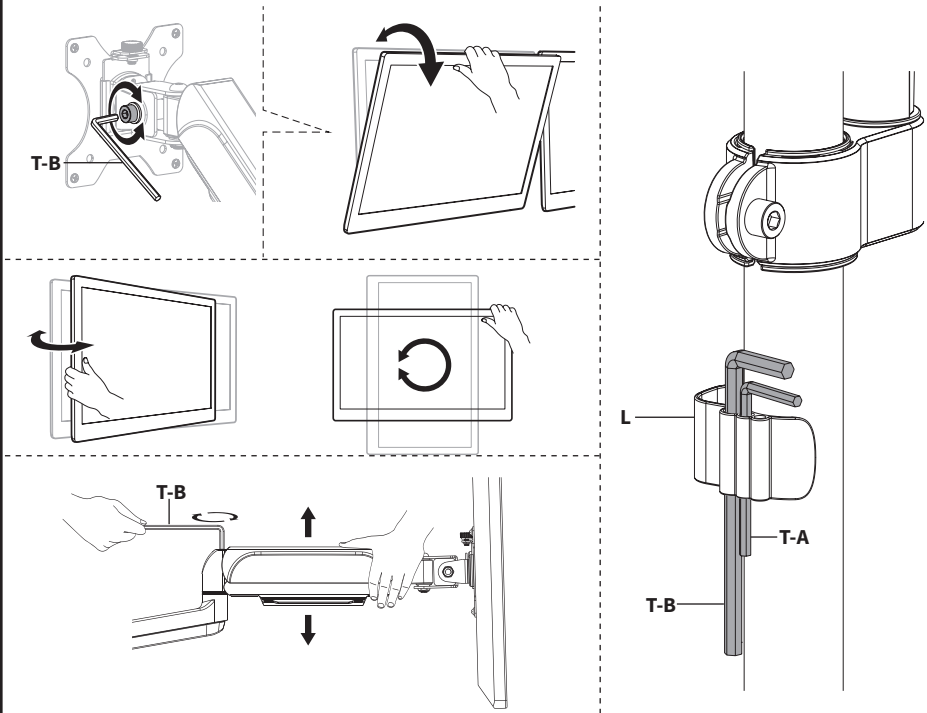
STEP 10

Remove bottom covers from Dual Arm (A) and Arm (B) by sliding them off. Organize cables and re-attach covers.



STEP 11

Adjust tilt support using 6mm Allen Wrench (T-B). Store Allen Wrenches (T-A and T-B) in Cable Clip (L). Adjust as desired. Adjust the tension in gas spring arms using 6mm Allen Wrench (T-B). Turn clockwise to reduce tension, and counter-clockwise to increase.





Open **Monday - Friday 7:00am - 7:00pm** CST, our dedicated support team can offer immediate assistance with rapid response times. If any parts are received damaged or defective, please contact us. We are happy to replace parts to ensure you have a fully functioning product.



309-278-5303

AVG. RESOLUTION TIME (*within office hrs*): **5M 4S**



www.vivo-us.com
Chat live with an agent!

AVG. RESOLUTION TIME (*within office hrs*): **< 15 M**



help@vivo-us.com

AVG. RESPONSE TIME (*within office hrs*): **1HR 8M**

- 23% within < 15m
- 38% within < 30m
- 61% within < 1hr
- 83% within < 2hr
- 92% within < 3hr