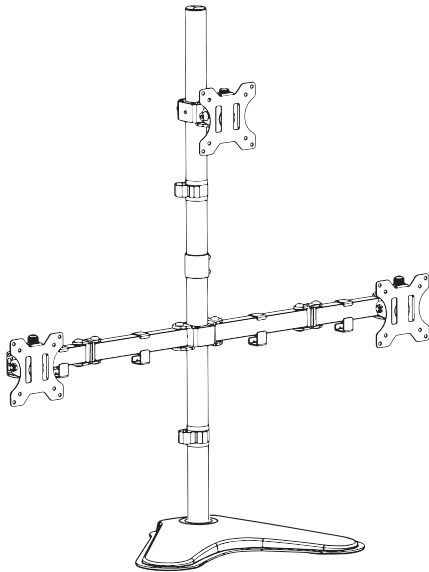




Triple Monitor Desk Stand

Instruction Manual



SKU: STAND-V003E



Scan the QR code with your mobile device or follow the link for helpful videos and specifications related to this product.

<https://vivo-us.com/products/stand-v003e>

GET IN TOUCH | Monday-Friday from 7:00am-7:00pm CST



help@vivo-us.com



www.vivo-us.com
Chat live with an agent!



309-278-5303

WARNING!

If you do not understand these directions, or if you have any doubts about the safety of the installation, please call a qualified technician. Check carefully to make sure there are no missing or defective parts. Improper installation may cause damage or serious injury. Do not use this product for any purpose that is not explicitly specified in this manual. Do not exceed weight capacity. We cannot be liable for damage or injury caused by improper mounting, incorrect assembly or inappropriate use.

TIPOVER WARNING

SERIOUS OR FATAL CRUSHING INJURIES CAN OCCUR FROM TIPOVER. TO HELP PREVENT TIPOVER:

- **TO PREVENT TIPPING, PLEASE BE CAREFUL NOT TO EXTEND THE ARMS TOO FAR FORWARD OR BACKWARD.**
- NEVER ALLOW CHILDREN TO CLIMB, STAND, HANG, OR PLAY ON ANY PART OF MONITOR OR STAND.
- USE TIPOVER RESTRAINT OR ANCHOR STAND TO WALL

USE OF TIPOVER RESTRAINTS MAY ONLY REDUCE, BUT NOT ELIMINATE RISK OF TIPOVER.

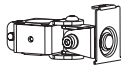
WARNING: CHOKING HAZARD

SMALL PARTS - NOT FOR CHILDREN UNDER 3 YEARS. ADULT SUPERVISION IS REQUIRED.

PACKAGE CONTENTS



A (x3)
VESA Plate



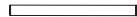
B (x1)
Bracket



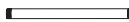
C (x1)
Arm



D (x1)
Base



E (x1)
Bottom Pole



F (x1)
Top Pole



G (x1)
Pole Connector



H (x2)
Cable Clip



I (x2)
Height Adjustment Knob



S-A (x3)
M6x14mm
Screw



S-B (x2)
M3x8mm
Screw



S-C (x1)
Thumbscrew



M-A (x12)
M4x12mm
Screw



M-B (x12)
M4x16mm
Screw



M-C (x12)
M5x12mm
Screw



M-D (x12)
M5x16mm
Screw



M-E (x12)
M5 Washer



M-F (x12)
Spacer



T-A (x1)
3mm Allen
Wrench



T-B (x1)
4mm Allen
Wrench



T-C (x1)
6mm Allen
Wrench

NOTE: SOME HARDWARE INCLUDED MAY NOT BE USED

TOOLS NEEDED



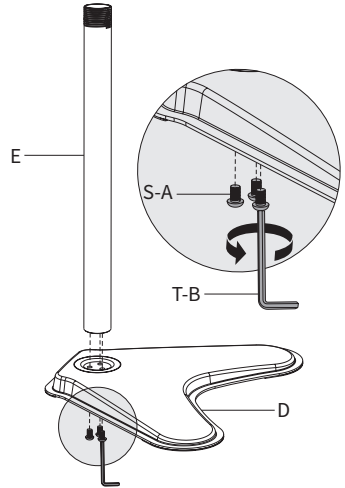
DO NOT EXCEED WEIGHT CAPACITY.
Failure to do so may result in serious injury.

17.6 lbs
Per Arm
(8kg)

ASSEMBLY STEPS

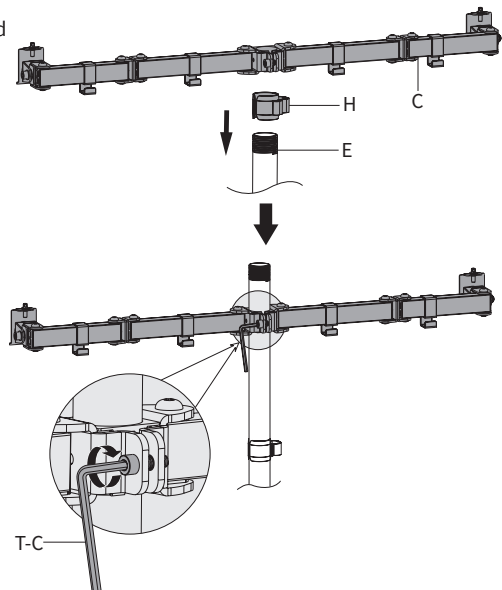
STEP 1

Attach Bottom Pole (**E**) to Base (**D**) using M6x14mm Screws (**S-A**) and 4mm Allen Wrench (**T-B**).



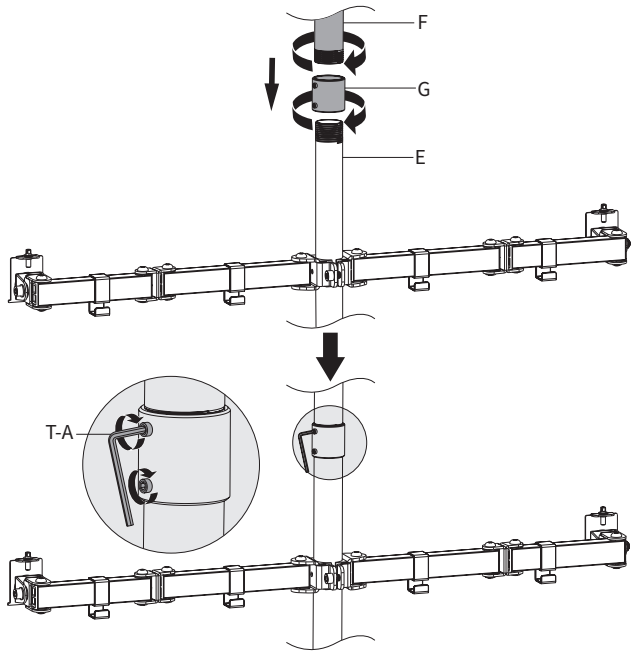
STEP 2

Slide one Cable Clip (**H**) and Arm (**C**) onto Bottom Pole (**E**). Tighten Arm (**C**) at the desired height using 6mm Allen wrench (**T-C**).



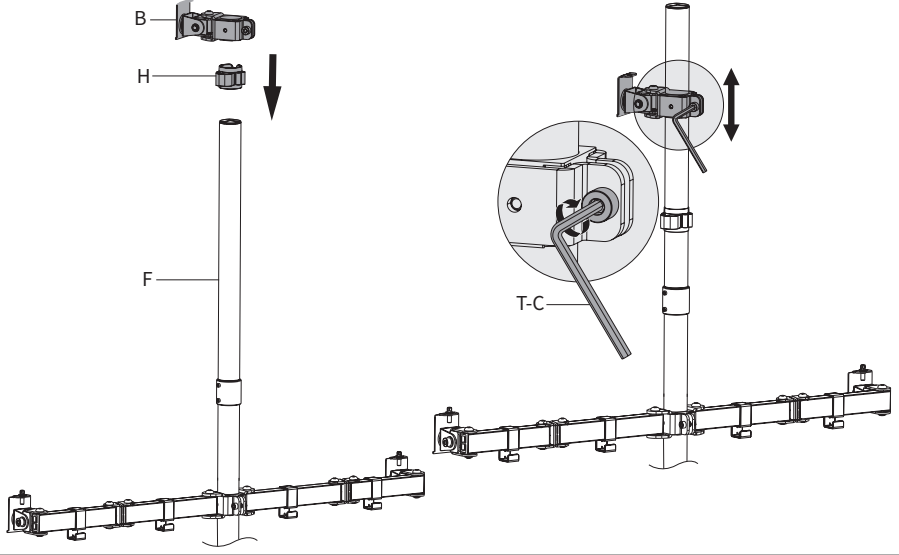
STEP 3

Thread Pole Connector (**G**) onto Bottom Pole (**E**). Thread Top Pole (**F**) into Pole Connector (**G**). Tighten the set screws on Pole Connector (**G**) using 3mm Allen Wrench (**T-A**).



STEP 4

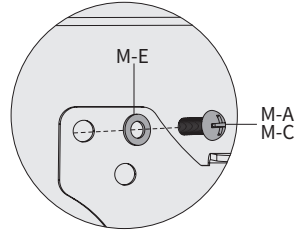
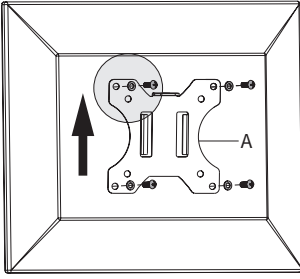
Slide one Cable Clip (**H**) and Bracket (**B**) onto Top Pole (**F**) and secure Bracket (**B**) at the desired height using 6mm Allen Wrench (**T-C**).



STEP 5

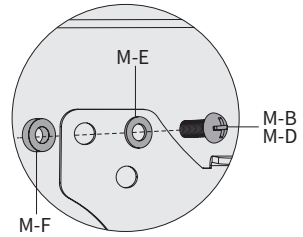
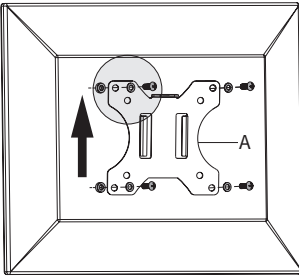
OPTION A: Flat Back Monitor

For flat back monitors, install VESA Plate (A) to the monitor using M4x12mm Screws (M-A) or M5x12mm Screws (M-C) and M5 Washers (M-E).



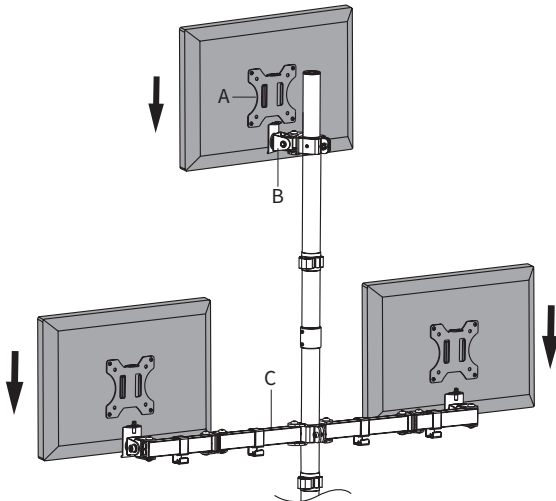
OPTION B: Curved Back Monitor

For curved back monitor, align Spacers (M-F) with mounting holes in the monitor and secure VESA Plate (A) to the monitor using M4x16mm Screws (M-B) or M5x16mm Screws (M-D) and M5 Washers (M-E).



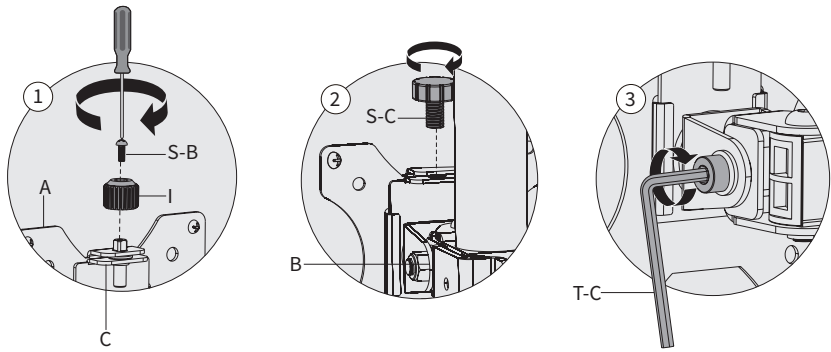
STEP 6

Slide monitors with VESA Plates (A) onto Arm (C) and Bracket (B).



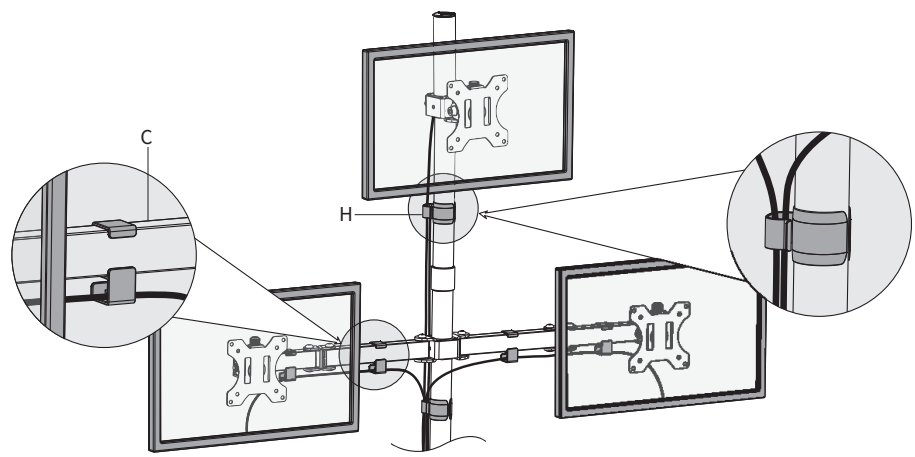
STEP 7

Secure VESA Plates (A) on Arm (C) using Height Adjustment Knobs (I) and M3x8mm Screws (S-B). Assemble VESA Plate (A) to Bracket (B) using Thumbscrew (S-C). Adjust the tilt using 6mm Allen Wrench (T-C).



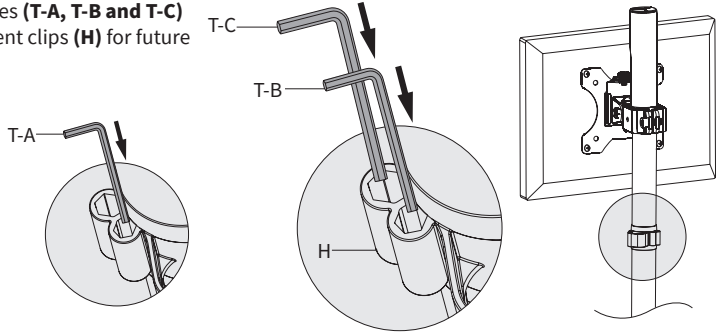
STEP 8

Manage cables using cable management clips on Arm (C) and Cable Clips (H).



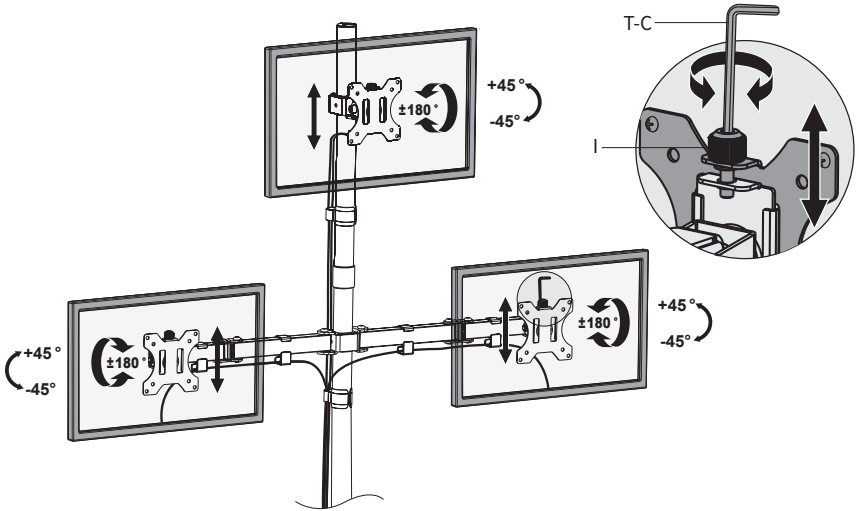
STEP 9

Store Allen Wrenches (**T-A**, **T-B** and **T-C**) in cable management clips (**H**) for future adjustments.



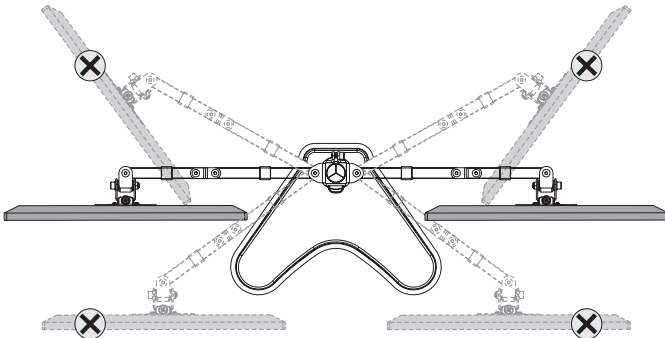
STEP 10

Level the side monitors by loosening Height Adjustment Knobs (**I**) using 6mm Allen Wrench (**T-C**).



STEP 11

Do not move monitors past center of gravity. This could result in tipping.





Open **Monday - Friday 7:00am - 7:00pm** CST,
our dedicated support team can offer immediate assistance with rapid response times. If any parts are received damaged or defective, please contact us. We are happy to replace parts to ensure you have a fully functioning product.



309-278-5303

AVG. RESOLUTION TIME (*within office hrs*): **5M 4S**



www.vivo-us.com
Chat live with an agent!

AVG. RESOLUTION TIME (*within office hrs*): **< 15 M**



help@vivo-us.com

AVG. RESPONSE TIME (*within office hrs*): **1HR 8M**

- 23% within < 15m
- 38% within < 30m
- 61% within < 1hr
- 83% within < 2hr
- 92% within < 3hr