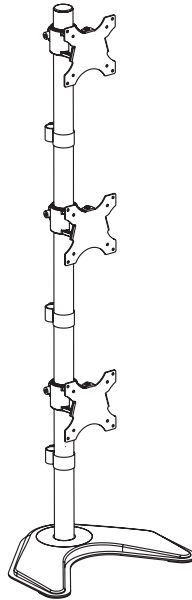


Triple Monitor Vertical Desk Stand

Instruction Manual



SKU: STAND-V003D



Scan the QR code with your mobile device or follow the link for helpful videos and specifications related to this product.

<https://vivo-us.com/products/stand-v003d>



help@vivo-us.com



www.vivo-us.com



1-800-371-5654

! WARNING!

If you do not understand these directions, or if you have any doubts about the safety of the installation, please call a qualified technician. Check carefully to make sure there are no missing or defective parts. Improper installation may cause damage or serious injury. Do not use this product for any purpose that is not explicitly specified in this manual. Do not exceed weight capacity. We cannot be liable for damage or injury caused by improper mounting, incorrect assembly or inappropriate use.

! TIPOVER WARNING

SERIOUS OR FATAL CRUSHING INJURIES CAN OCCUR FROM TIPOVER. TO HELP PREVENT TIPOVER:

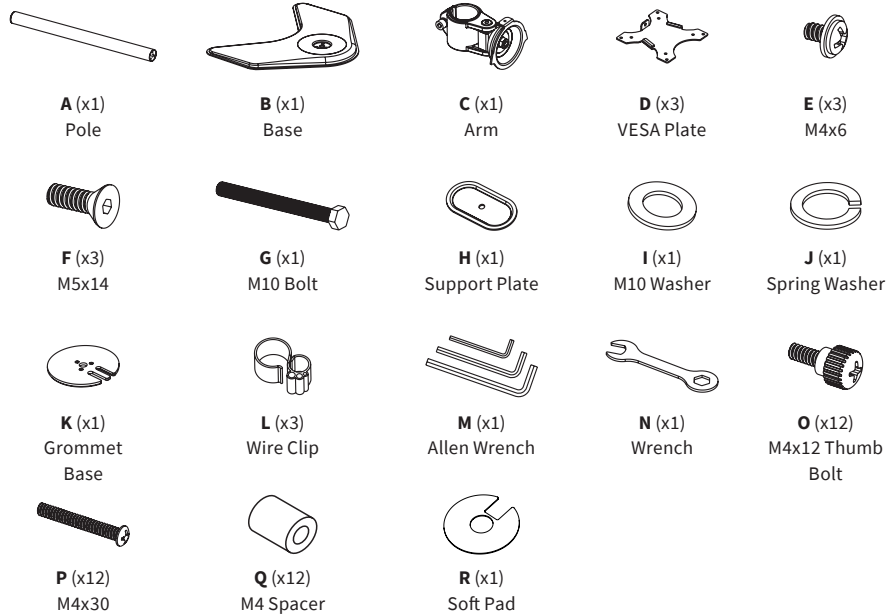
- NEVER ALLOW CHILDREN TO CLIMB, STAND, HANG, OR PLAY ON ANY PART OF MONITOR OR STAND.
- USE TIPOVER RESTRAINT OR ANCHOR STAND TO WALL

USE OF TIPOVER RESTRAINTS MAY ONLY REDUCE, BUT NOT ELIMINATE RISK OF TIPOVER.

! WARNING: CHOKING HAZARD

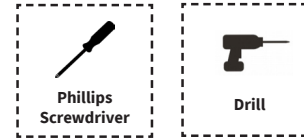
SMALL PARTS - NOT FOR CHILDREN UNDER 3 YEARS. ADULT SUPERVISION IS REQUIRED.

PACKAGE CONTENTS



NOTE: NOT ALL HARDWARE INCLUDED WILL BE USED

TOOLS NEEDED



DO NOT EXCEED WEIGHT CAPACITY.
Failure to do so may result in serious injury.

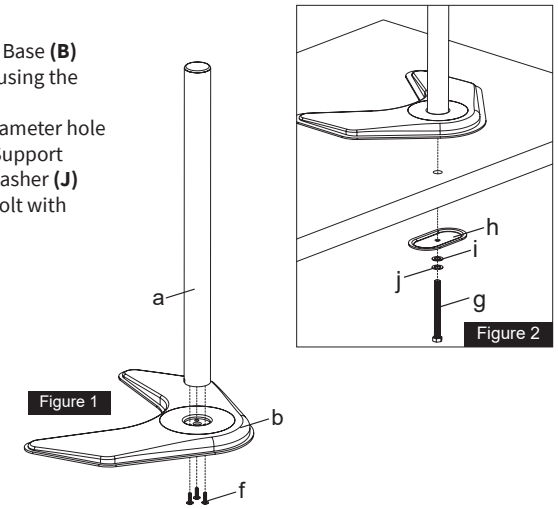
**22 lbs
Per Arm
(10 kg)**

ASSEMBLY STEPS

STEP 1

OPTION A: Weighted Base Installation

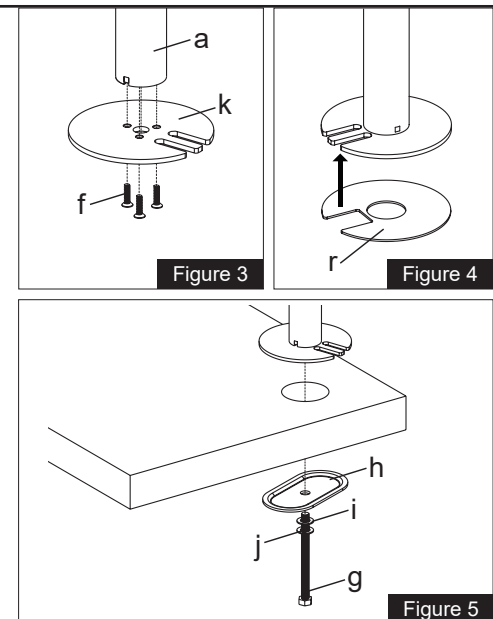
1. Install the Pole (A) to the Weighted Base (B) using M5x14 Bolts (F), and tighten using the Allen Wrench (M), see Figure 1.
2. Optionally, you can drill a 10mm diameter hole in your desk and secure using the Support Plate (H), M10 Washer (I), Spring Washer (J) and M10 Bolt (G). Fasten the M10 Bolt with provided Wrench (N), see Figure 2.



OPTION B: Existing Grommet Hole Installation

If the existing grommet hole comes with a plastic protector, remove it to ensure a flat surface before installing the desk mount.

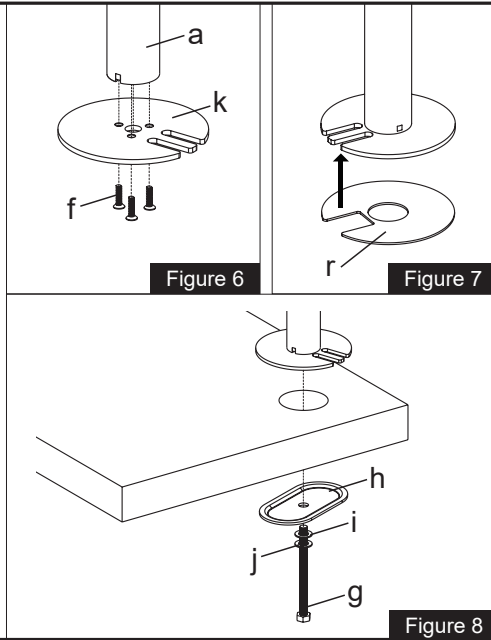
1. Install the Grommet Base Plate (K) to the Pole (A) M5x14 Bolts (F), and tighten using the Allen Wrench (M), see Figure 3.
2. Attach Soft Pad (r) to the Grommet Base Plate (k), see Figure 4.
3. Position the Pole (A) on the mounting surface and secure using the Support Plate (H), M10 Washer (I), Spring Washer (J) and M10 Bolt (G). Fasten the M10 Bolt using provided Wrench (N), see Figure 5.



STEP 1 (Continued)

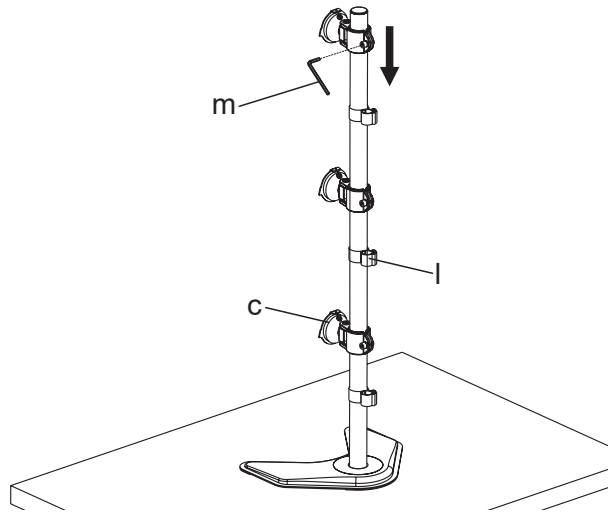
OPTION C: Self-Drilled Grommet Hole Installation

1. Position the Pole (A) on the mounting surface and mark the center hole. Drill a 3/8" (10mm) diameter hole at the marked position through the mounting surface.
2. Install the Grommet Base (K) to the Pole (A) using M5x14 Bolts (F), and tighten using the Allen Key (M), see Figure 7.
3. Position the Pole (A) on the mounting surface and secure using the Support Plate (H), M10 Washer (I), Spring Washer (J) and M10 Bolt (G). Fasten the M10 Bolt using provided Wrench (N), see Figure 8.



STEP 2

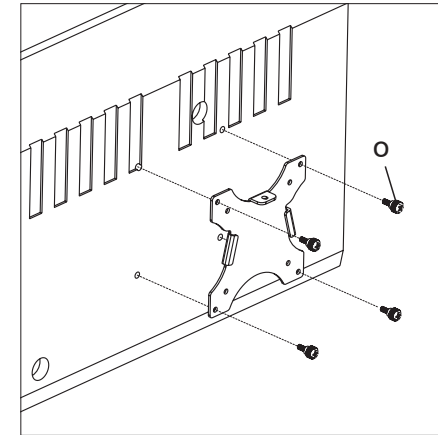
Install Monitor Arm (C) to the Pole (A). Fasten the bolt with supplied Allen Wrench (M). Attach the Wire Clip (L) to the Pole (A).



STEP 3

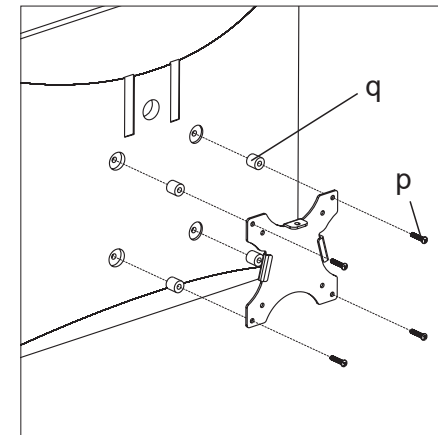
OPTION A: Flat Back Monitor

For monitors with flat backs attach VESA plate (D) using M4x12 Thumb Bolts (O).



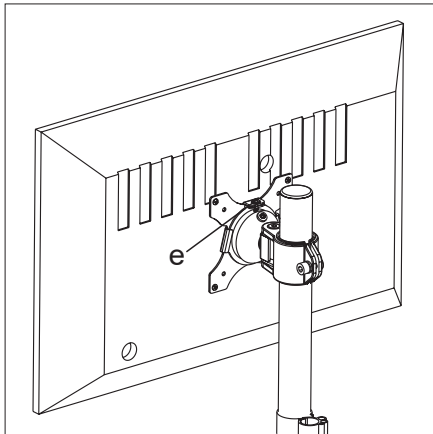
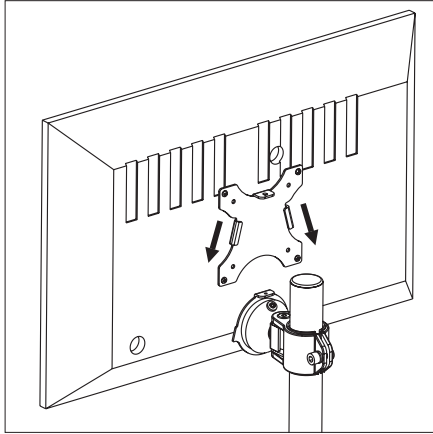
OPTION B: Curved Back Monitor

For monitors with curved or recessed backs attach VESA plate using M4x30 Bolts (P) and M4 Spacers (Q).



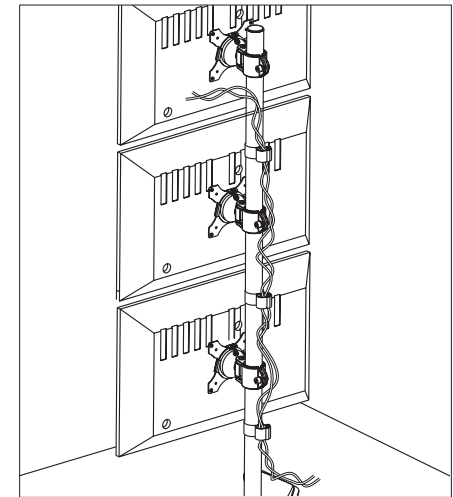
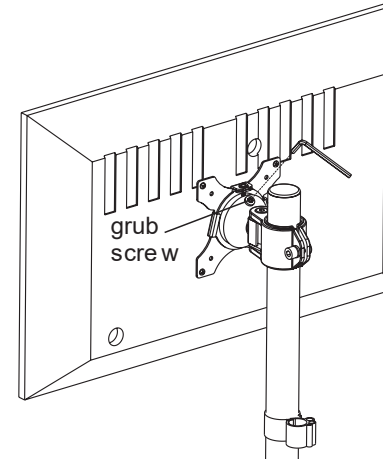
STEP 4

Slide the monitor onto the head of Monitor Arm (C) as shown in the diagram. Install the M4x6 Bolt (E). Make sure the bolt is installed before you rotate the monitor.



STEP 5

Fasten the grub screw in Monitor Arm to fix the tilting angle by provided Allen Key (M). Manage the wires as in the diagram.





Love your new VIVO setup and want to share?

Tag us in your photo! **@vivo_us**

Last Updated: 11/29/2018



If any parts are received damaged or defective, please contact us. We are happy to replace parts to ensure you have a fully functioning product.



help@vivo-us.com



www.vivo-us.com



1-800-371-5654

For more VIVO products, check out our website at:
www.vivo-us.com.