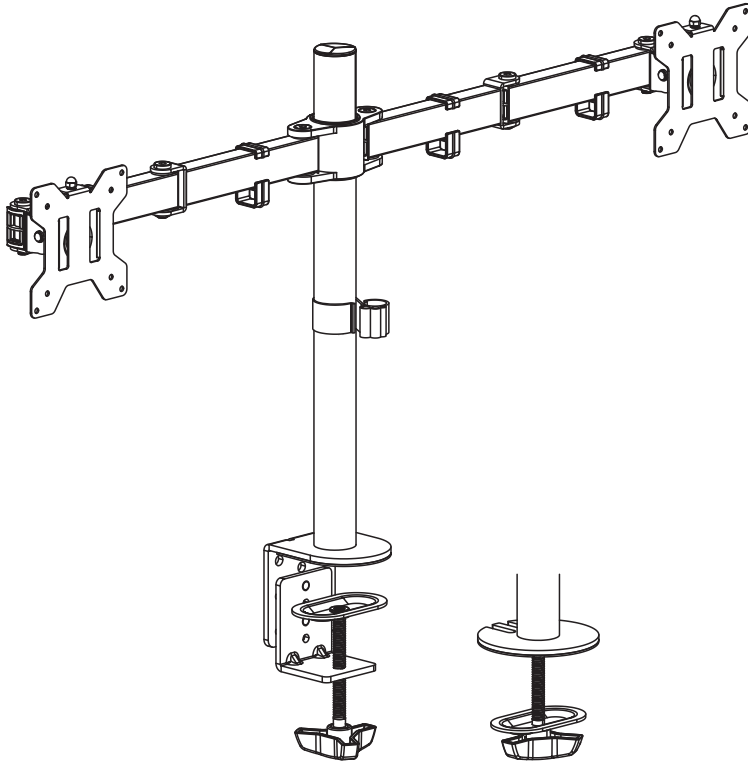




Dual Monitor Desk Mount **SKU: STAND-V002/W/WD**

Instruction Manual



ASSEMBLY VIDEO AVAILABLE:

Follow along step-by-step with our video walk through by scanning the QR code with your mobile device or by following the product link: [vivo-us.com/products/stand-v002](https://www.vivo-us.com/products/stand-v002)

Contact Us First!

DO NOT RETURN ITEM

Our friendly product support team is here to help!



PERSONABLE CUSTOMER SUPPORT

7AM - 7PM

Monday-Friday



Give us a Call:
309-278-5303



Chat Us:
www.vivo-us.com



Email Us:
help@vivo-us.com

We're Here for You!

Our customer-minded support team is here for YOU,

Monday-Friday 7am-7pm CST.

We offer immediate assistance with rapid response times from customer service agents and product technicians to help you every step of the way!



Missing a Part?

If any parts are received damaged / defective OR you are missing a part, please reach out to us ***within 30 days of product delivery to have it replaced at no cost.***

We are happy to replace parts to ensure you have a fully functioning product

PRE-ASSEMBLY | BEFORE YOU BEGIN



If you do not understand these directions, or if you have any doubts about the safety of the installation, please call a qualified technician. Check carefully to make sure there are no missing or defective parts. Improper installation may cause damage or serious injury. Do not use this product for any purpose that is not explicitly specified in this manual. Do not exceed weight capacity. We cannot be liable for damage or injury caused by improper mounting, incorrect assembly or inappropriate use.

WARNING: CHOKING HAZARD

SMALL PARTS - NOT FOR CHILDREN UNDER 3 YEARS. ADULT SUPERVISION IS REQUIRED.

TIPOVER WARNING

SERIOUS OR FATAL CRUSHING INJURIES CAN OCCUR FROM TIPOVER. TO HELP PREVENT TIPOVER:

- NEVER ALLOW CHILDREN TO CLIMB, STAND, HANG, OR PLAY ON ANY PART OF TV OR TV CART.
- USE TIPOVER RESTRAINT OR ANCHOR STAND TO WALL

USE OF TIPOVER RESTRAINTS MAY ONLY REDUCE, BUT NOT ELIMINATE RISK OF TIPOVER.

WEIGHT CAPACITY

DO NOT EXCEED WEIGHT CAPACITY. Failure to do so may result in serious injury.



22lbs
(10kg)

PER ARM



Product Warranty

For the most up to date details on your product's warranty, please visit the product's listing on our website or reach out to customer support.

vivo-us.com/products/stand-v002



Returns | Product Didn't Work Out?

We offer a hassle-free 30 day return on all products. Contact customer support at 309-278-5303 or help@vivo-us.com. Please note: For items ordered in error or no longer needed, the return shipping charges will be at the buyer's expense.

TOOLS NEEDED:



Phillips Screwdriver

DIFFICULTY LEVEL



PACKAGE CONTENTS

Please consult the parts list below and ensure you have everything you need to assemble your product. If parts are missing or damaged, **please contact us.**



A (x1)
Pole



B (x1)
Clamp



C (x1)
Swivel Arm



D (x2)
VESA Plate



E (x1)
Grommet
Base Plate



F (x1)
Soft Pad



G (x1)
Pole Cap



H (x1)
Pole Cable
Clip



I (x4)
Arm Cable
Clip



S-A (x3)
M6x16mm
Screw



S-B (x2)
M6 Security
Nut



M-A (x8)
M4x12mm
Thumbscrew



M-B (x8)
M4x30mm
Screw



M-C (x8)
D6 Spacer



T-A (x1)
3mm Allen
Wrench



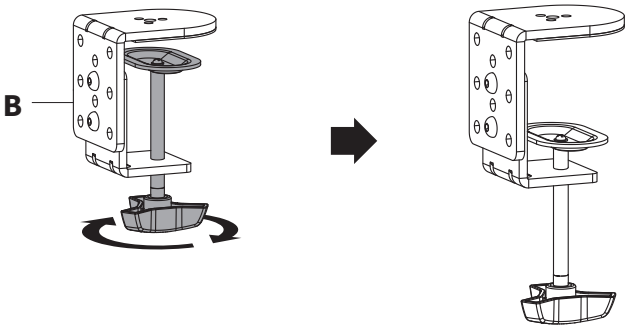
T-B (x1)
5mm Allen
Wrench

NOTE: SOME HARDWARE INCLUDED MAY NOT BE USED

ASSEMBLY STEPS

STEP 1: Loosen Clamp

Loosen knob on Clamp **(B)**.

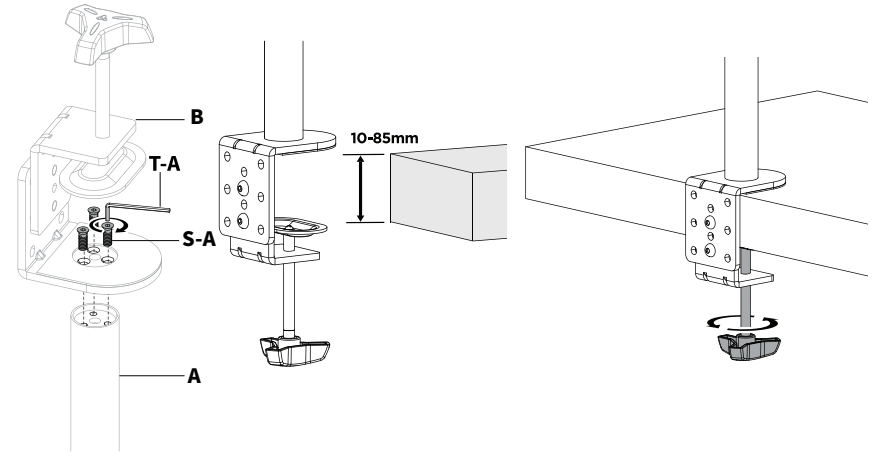


B
Clamp

STEP 2: Option A

Desk Clamp Installation

Mount Clamp **(B)** to Pole **(A)** using M6x16 Screws **(S-A)** 3mm Allen Wrench **(T-A)**. Secure assembly to desktop by tightening knob on Clamp **(B)**.



A
Pole

B
Clamp

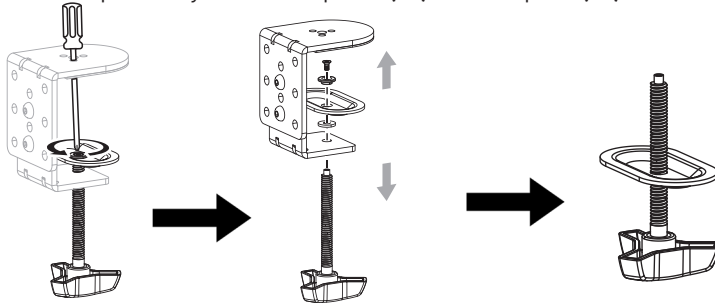
S-A
M6x16mm
Screw

T-A
3mm Allen
Wrench

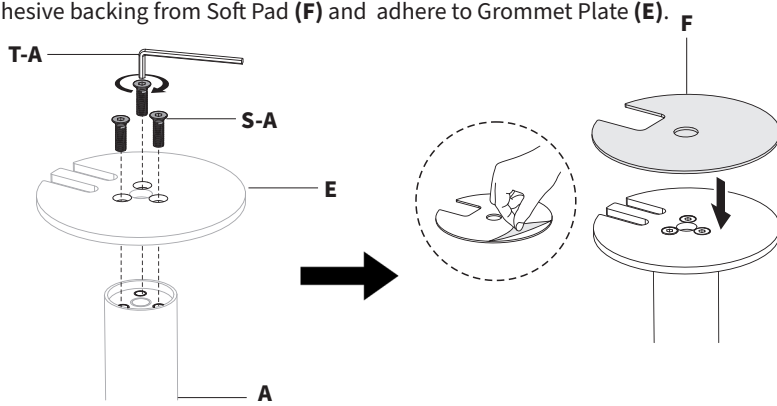
STEP 2: Option B

Grommet Installation

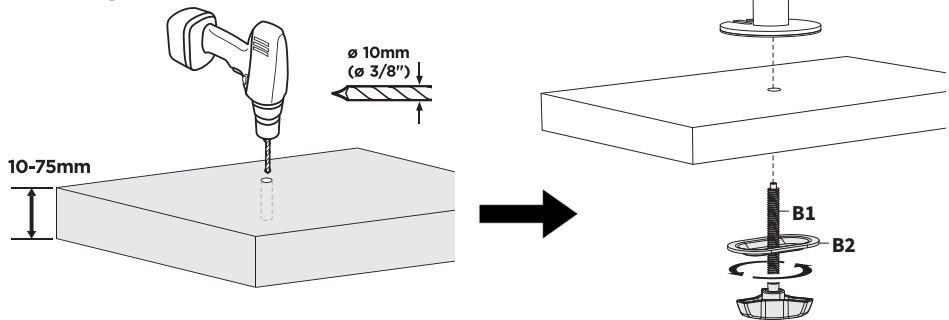
Using a Phillips screwdriver, remove the screw from Clamp (B) and separate Clamp Bolt (B1) and Clamp Plate (B2) from the clamp assembly. Thread Clamp Plate (B2) onto Clamp Bolt (B1).



Mount Grommet Plate (E) to Pole (A) using M6x16 Screws (S-A) and 3mm Allen Wrench (T-A). Remove adhesive backing from Soft Pad (F) and adhere to Grommet Plate (E).



If not using an existing through-hole for mounting, use a 3/8" (10mm) drill bit to create a mounting hole in the desired location. Thread Clamp Bolt (B1) with Clamp Plate (B2) through the mounting hole and into Pole (A).



E
Grommet Base Plate



F
Soft Pad



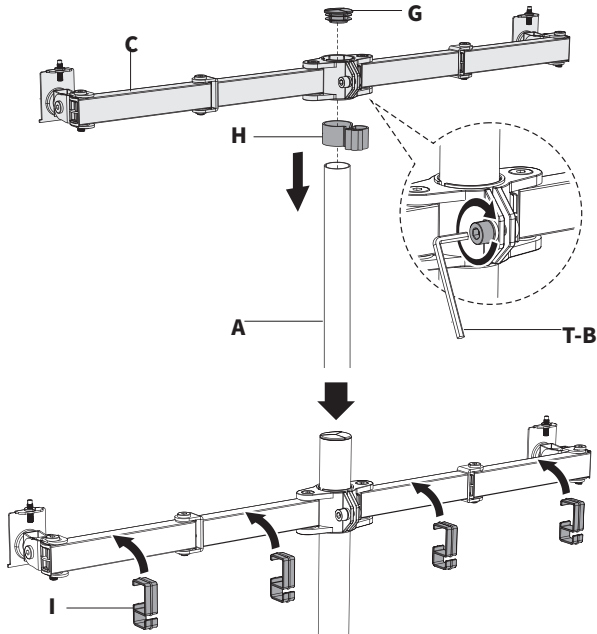
S-A
M6x16mm
Screw



T-A
3mm Allen Wrench

STEP 3: Install Arm

Slide Pole Cable Clip (**H**) and Swivel Arm (**C**) onto Pole (**A**). Secure Swivel Arm (**C**) in place using 5mm Allen Wrench (**T-B**). Attach Pole Cap (**G**) to Pole (**A**). Attach Arm Cable Clips (**I**) to Swivel Arm (**C**).



C
Swivel Arm



G
Pole Cap



H
Pole Cable
Clip



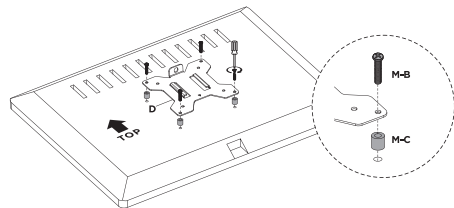
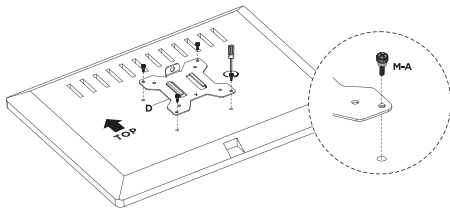
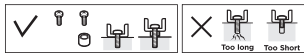
I
Arm Cable
Clip



T-B
5mm Allen
Wrench

STEP 4: Attach VESA Plate

Secure VESA Plates (**D**) to monitors using M4x12 Thumbscrews (**M-A**) or M4x30 Screws (**M-B**). D6 Spacers (**M-C**) may be required.



D
VESA Plate



M-A
M4x12mm
Thumbscrew



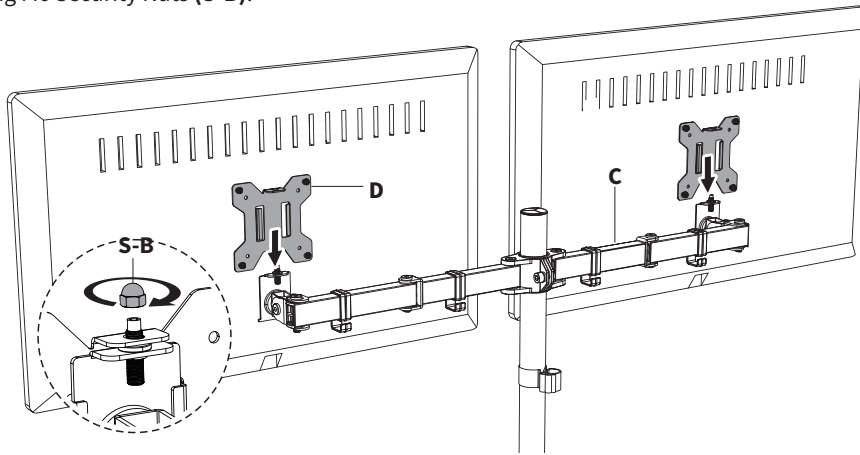
M-B
M4x30mm
Screw



M-C
D6 Spacer

STEP 5: Install Monitors

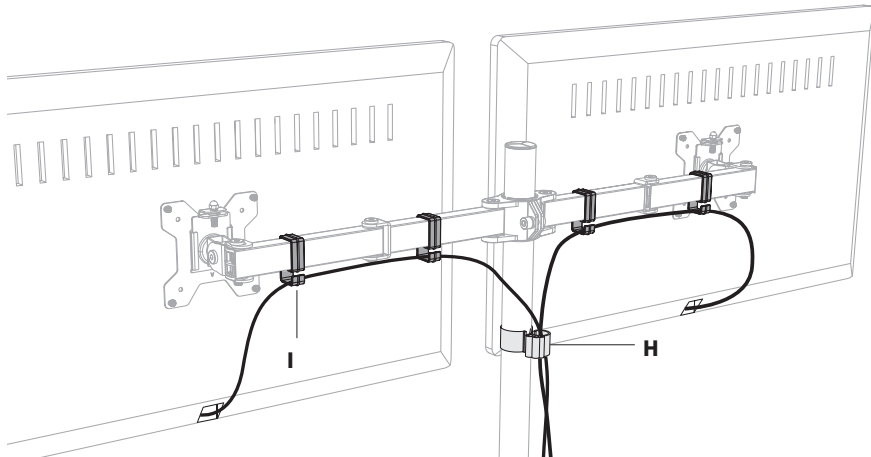
Slide monitors with VESA Plates (**D**) onto Swivel Arm (**C**). Secure VESA Plates (**D**) in place using M6 Security Nuts (**S-B**).



S-B
M6 Security
Nut

STEP 6: Manage Cables

Manage cables using Arm Cable Clips (**I**) and Pole Cable Clip (**H**).



H
Pole Cable
Clip

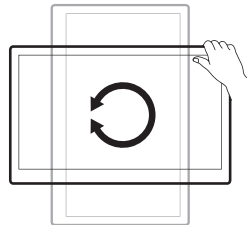
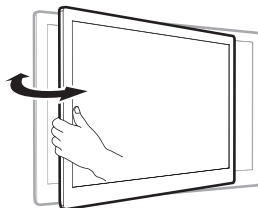
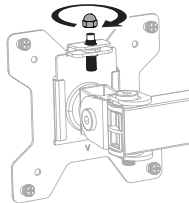
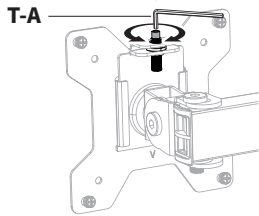
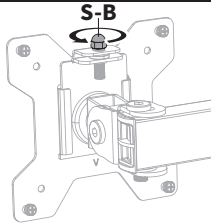
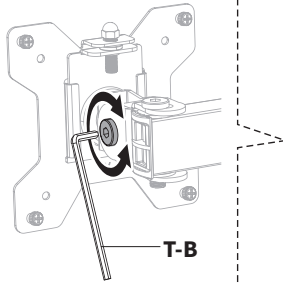


I
Arm Cable
Clip

STEP 7: Adjust Height

Adjust the monitor tilt using 5mm Allen Wrench (**T-B**). To level monitors, remove M6 Security Nuts (**S-B**) and tighten or loosen adjustment screws using 3mm Allen Wrench (**T-A**). Once level, fasten M6 Security Nuts (**S-B**) back into place.

Note: If the display does not stop at your desired position, tighten the screw as shown.



T-A
3mm Allen
Wrench



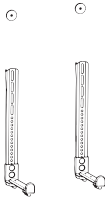
T-B
5mm Allen
Wrench

CHECK OUT OTHER GREAT PRODUCTS FROM



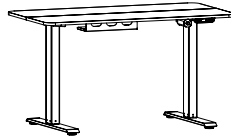
EXPLORE MORE AT VIVO-US.COM

We offer a wide array of home & office products to fit your needs. From height adjustable desks to monitor mounts to keyboard trays and more!



**SPEAKER MOUNTS
& STANDS**

Whether you're mounting a soundbar or surround sound system, we've got a mounting solution to fit your needs.



**HEIGHT
ADJUSTABLE DESKS**

We offer electric & manual crank standing desks, corner frames, desk & top combos, and more!



**CABLE
MANAGEMENT**

From single monitor mounts to hex mount, grommet or clamp-ons, we've got a mounting solution for your setup.



WHO WE ARE



VIVO is more than a brand of ergonomic office furniture. We are a team of creative and innovative individuals working together to offer high quality, affordable ergonomic solutions. We think and work outside of the box to serve you, our customer, to the best of our ability.



Need Assistance?

We Would Love to Help!



Personable Customer Support | **Mon-Fri 7am-7pm**

We offer immediate assistance with rapid response times from customer service agents and product technicians to help you every step of the way!



Call Us: **309-278-5303**

Average Resolution Time: **5m 4s**



Chat Us: **www.vivo-us.com**

Average Resolution Time: **< 15m**



Email Us: **help@vivo-us.com**

Average Resolution Time: **1HR 8M**

23% within < 15m

38% within < 30m

61% within < 1hr

83% within < 2hr

92% within < 3hr



LOVE YOUR NEW VIVO SETUP?

Ready to share that new amazing setup? Want to brag about that amazing new ergonomic solution?

Tag us in your photo!



VIVO-us @vivo_us

FOR MORE GREAT VIVO PRODUCTS,
CHECK OUT OUR WEBSITE AT: WWW.VIVO-US.COM