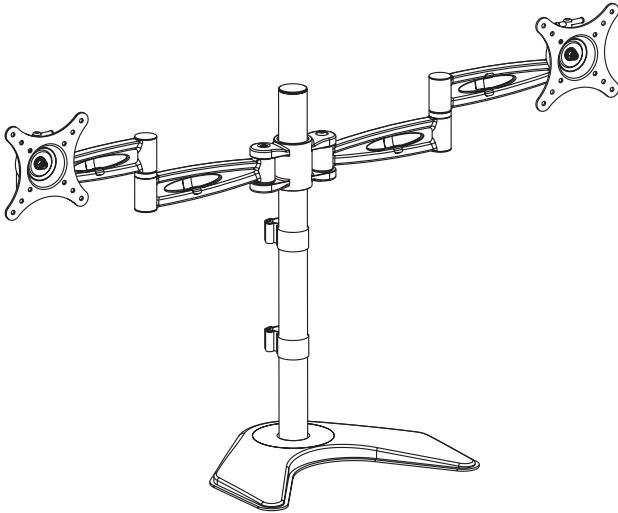


Dual Monitor Desk Stand

Instruction Manual



SKU: STAND-V002Z



Scan the QR code with your mobile device or follow the link for helpful videos and specifications related to this product.

<https://vivo-us.com/products/stand-v002z>

GET IN TOUCH | Monday-Friday from 7:00am-7:00pm CST



help@vivo-us.com



www.vivo-us.com
Chat live with an agent!



309-278-5303

WARNING!

If you do not understand these directions, or if you have any doubts about the safety of the installation, please call a qualified technician. Check carefully to make sure there are no missing or defective parts. Improper installation may cause damage or serious injury. Do not use this product for any purpose that is not explicitly specified in this manual. Do not exceed weight capacity. We cannot be liable for damage or injury caused by improper mounting, incorrect assembly or inappropriate use.

TIPOVER WARNING

SERIOUS OR FATAL CRUSHING INJURIES CAN OCCUR FROM TIPOVER. TO HELP PREVENT TIPOVER:

- **TO PREVENT TIPPING, PLEASE BE CAREFUL NOT TO EXTEND THE ARMS TOO FAR FORWARD OR BACKWARD.**
- NEVER ALLOW CHILDREN TO CLIMB, STAND, HANG, OR PLAY ON ANY PART OF MONITOR OR STAND.
- USE TIPOVER RESTRAINT OR ANCHOR STAND TO WALL

USE OF TIPOVER RESTRAINTS MAY ONLY REDUCE, BUT NOT ELIMINATE RISK OF TIPOVER.

WARNING: CHOKING HAZARD

SMALL PARTS - NOT FOR CHILDREN UNDER 3 YEARS. ADULT SUPERVISION IS REQUIRED.

PACKAGE CONTENTS



A (x1)
Pole



B (x1)
Base



C (x1)
Monitor Arm



D (x3)
M5x14



E (x2)
Wire Clip



F (x1)
Allen Wrench
Set



G (x8)
M4x12 Thumb
Bolt



H (x8)
M4x30



I (x8)
M4 Spacer



J (x16)
M4 Washer



K (x4)
Cable Ring

NOTE: SOME HARDWARE MAY NOT BE USED

TOOLS NEEDED



DO NOT EXCEED WEIGHT CAPACITY.

Failure to do so may result in serious injury.

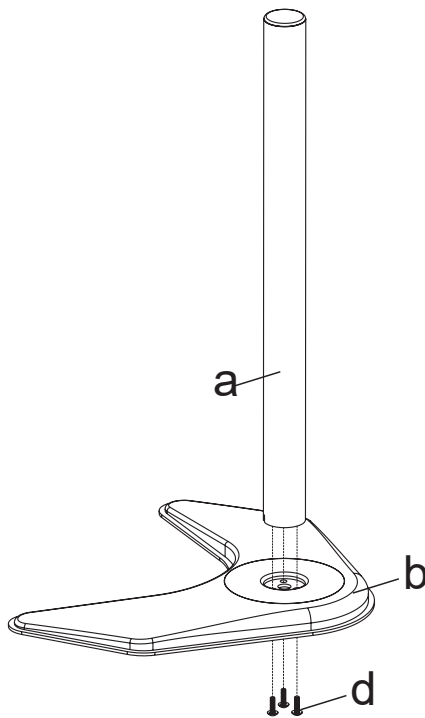
22lbs
(9.98kg)

PER ARM

ASSEMBLY STEPS

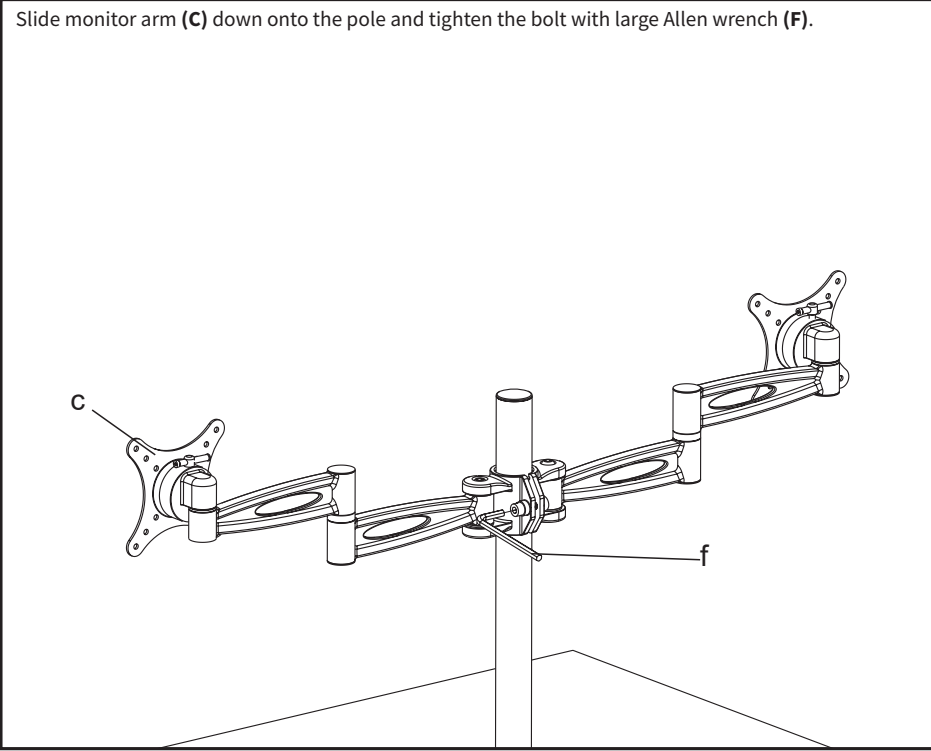
STEP 1

Install the pole (A) to the base (B) using M5x14 bolts (D). Tighten with the small Allen wrench (F).



STEP 2

Slide monitor arm (C) down onto the pole and tighten the bolt with large Allen wrench (F).

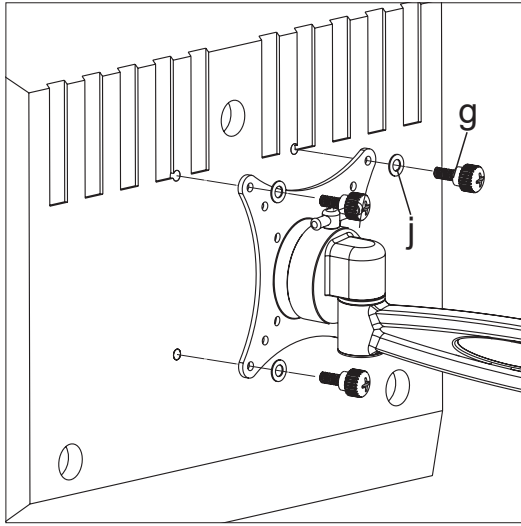


STEP 3

OPTION A: Flat Back Monitor

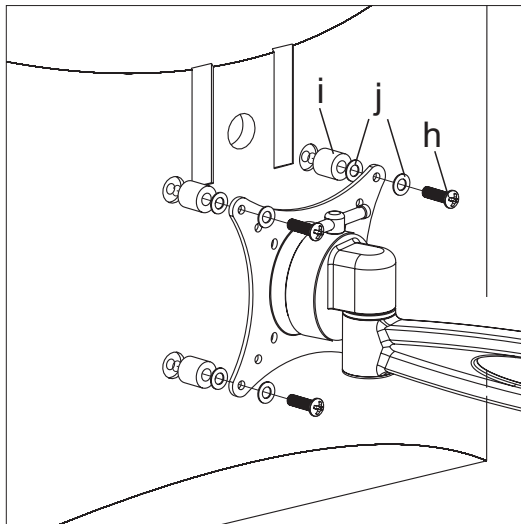
Attach monitors to VESA plates on monitor arm using M4x12 thumb bolts (**G**) with M4 washers (**J**).

NOTE: Hand tighten screws to avoid stripping the plastic screw heads.



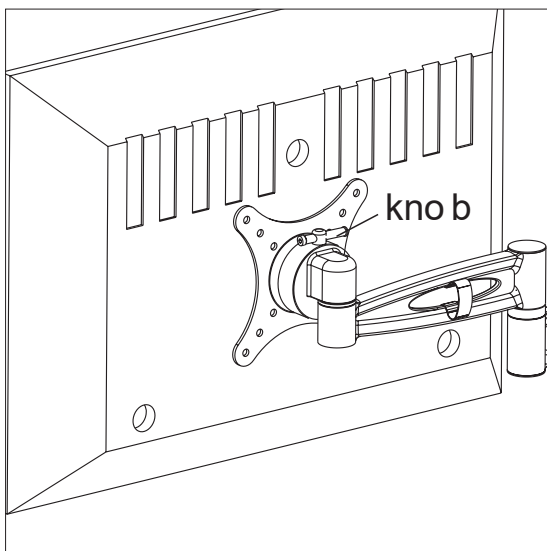
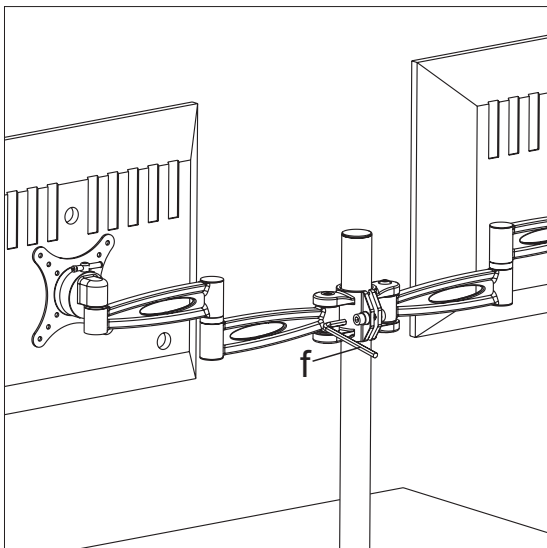
OPTION B: Curved Back Monitor

Attach monitors to the VESA plates on monitor arm using M4 spacers (**I**), M4x30 bolts (**H**) and M4 washers (**J**). Tighten with a Phillips screwdriver.



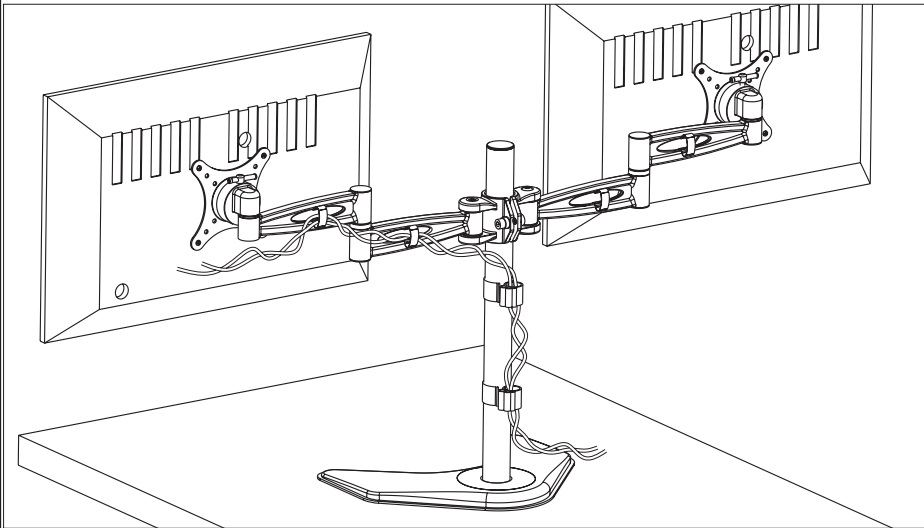
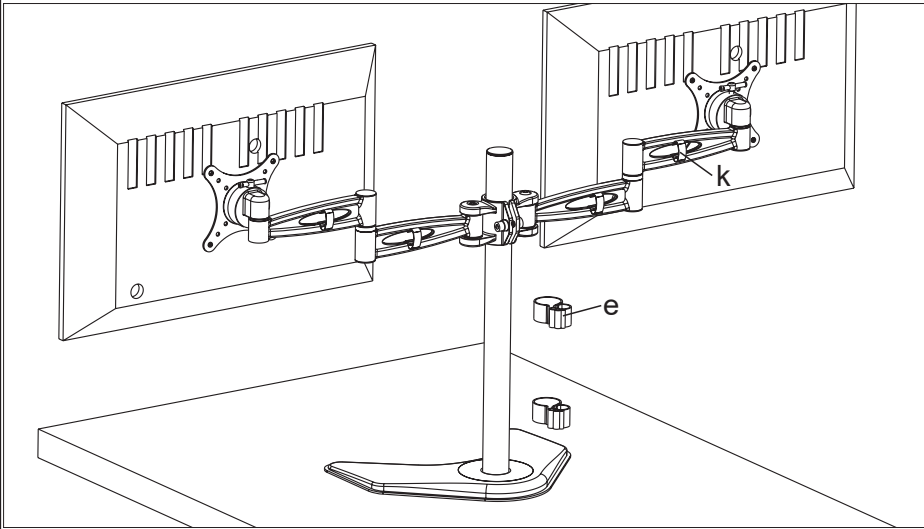
STEP 4

Adjust monitor height by loosening the center bolt with the large Allen wrench (**F**), then re-tighten at desired height. Adjust monitor support joints using the knob on top of each bracket. If additional tightening is needed, remove the monitor, tighten the center nut on the VESA plate with a 13mm wrench (*not included*), and reinstall the monitor.



STEP 5

Attach wire clips (**E**) and cable rings (**K**) to manage wires as shown in the diagram.





Open **Monday - Friday 7:00am - 7:00pm** CST,
our dedicated support team can offer immediate assistance with rapid response times. If any parts are received damaged or defective, please contact us. We are happy to replace parts to ensure you have a fully functioning product.


 help@vivo-us.com

AVG. RESPONSE TIME (*within office hrs*): **1HR 8M**

- 23% within < 15m
- 38% within < 30m
- 61% within < 1hr
- 83% within < 2hr
- 92% within < 3hr

 www.vivo-us.com
Chat live with an agent!

AVG. RESOLUTION TIME (*within office hrs*): **< 15 M**

 309-278-5303

AVG. RESOLUTION TIME (*within office hrs*): **5M 4S**