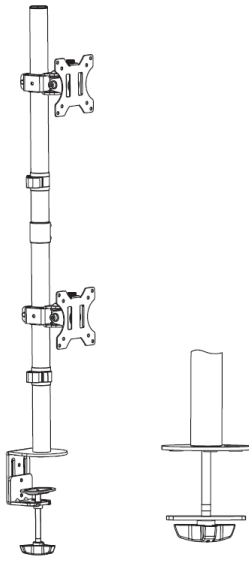


---

## Dual Monitor Desk Mount

### Instruction Manual



**SKU: STAND-V002T**



Scan the QR code with your mobile device or follow the link for helpful videos and specifications related to this product.

<https://vivo-us.com/products/stand-v002t>

---

GET IN TOUCH | Monday-Friday from 7:00am-7:00pm CST



help@vivo-us.com



www.vivo-us.com  
*Chat live with an agent!*



309-278-5303

# **WARNING!**

If you do not understand these directions, or if you have any doubts about the safety of the installation, please call a qualified technician. Check carefully to make sure there are no missing or defective parts. Improper installation may cause damage or serious injury. Do not use this product for any purpose that is not explicitly specified in this manual. Do not exceed weight capacity. We cannot be liable for damage or injury caused by improper mounting, incorrect assembly or inappropriate use.

## **TIPOVER WARNING**

SERIOUS OR FATAL CRUSHING INJURIES CAN OCCUR FROM TIPOVER. TO HELP PREVENT TIPOVER:

- NEVER ALLOW CHILDREN TO CLIMB, STAND, HANG, OR PLAY ON ANY PART OF MONITOR OR STAND.
- USE TIPOVER RESTRAINT OR ANCHOR STAND TO WALL

**USE OF TIPOVER RESTRAINTS MAY ONLY REDUCE, BUT NOT ELIMINATE RISK OF TIPOVER.**

## **WARNING: CHOKING HAZARD**

SMALL PARTS - NOT FOR CHILDREN UNDER 3 YEARS. ADULT SUPERVISION IS REQUIRED.

## **PACKAGE CONTENTS**



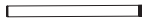
**A (x2)**  
VESA Plate



**B (x2)**  
Bracket



**C (x1)**  
Clamp



**D (x1)**  
Pole



**E (x1)**  
Pole



**F (x1)**  
Pole Cap



**G (x1)**  
Pole Connector



**H (x2)**  
Cable Clip



**I (x1)**  
Grommet  
Base



**J (x5)**  
Rubber Pad



**K (x3)**  
Bolt



**L (x1)**  
Support Plate



**M (x2)**  
Thumbscrew



**N (x1)**  
3mm Allen Key



**O (x1)**  
4mm Allen Key



**P (x1)**  
6mm Allen Key



**M-A (x8)**  
M4x12



**M-B (x8)**  
M4x16



**M-C (x8)**  
M5x12



**M-D (x8)**  
M5x16



**M-E (x8)**  
D5 Washer



**M-F (x8)**  
Spacer

**NOTE: SOME HARDWARE INCLUDED MAY NOT BE USED**

## TOOLS NEEDED



DO NOT EXCEED WEIGHT CAPACITY.

Failure to do so may result in serious injury.

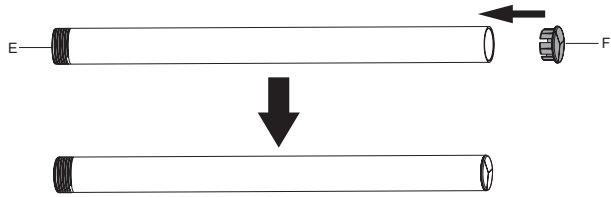
22 lbs  
(10 kg)

PER ARM

## ASSEMBLY STEPS

### STEP 1

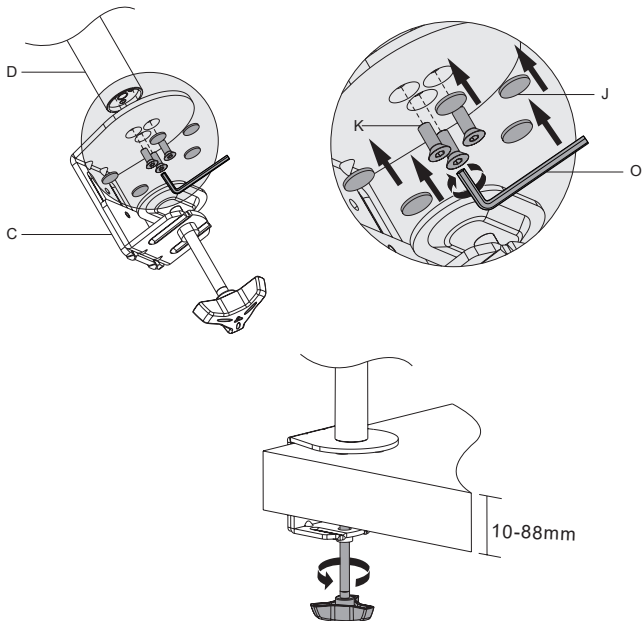
Attach cap (F) to top of pole (E).



### STEP 2

#### OPTION A: Clamp Installation

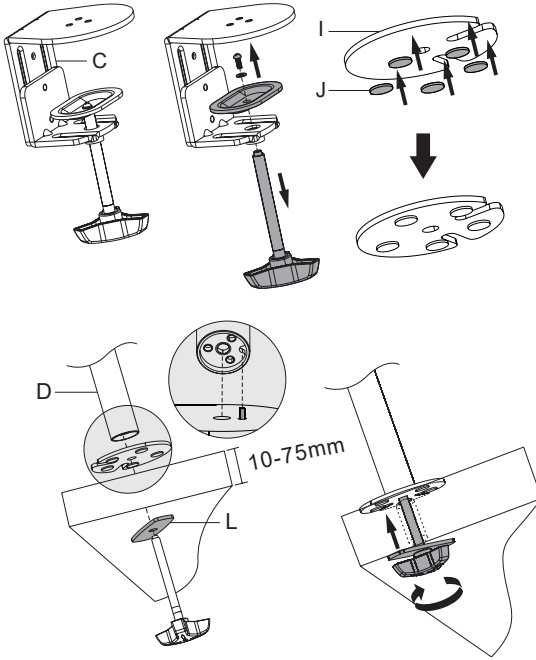
Stick rubber pads (J) to the underside of clamp (C). Attach pole (D) to clamp (C) using bolt (K). Tighten using 4mm allen key (O). Attach clamp (C) to desktop.



## STEP 2 (Continued)

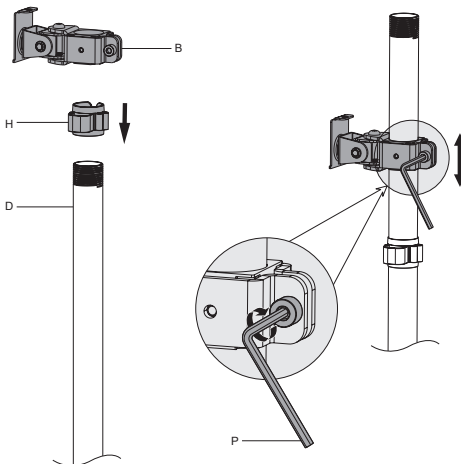
### OPTION B: Grommet Base Installation

For grommet hole mounting, remove screw in top of bolt on clamp (C). Stick rubber pads (J) to bottom of grommet base (I). Attach metal plate (L) to bolt and run through grommet hole into grommet base (I) and thread into pole (D) as shown in diagram.



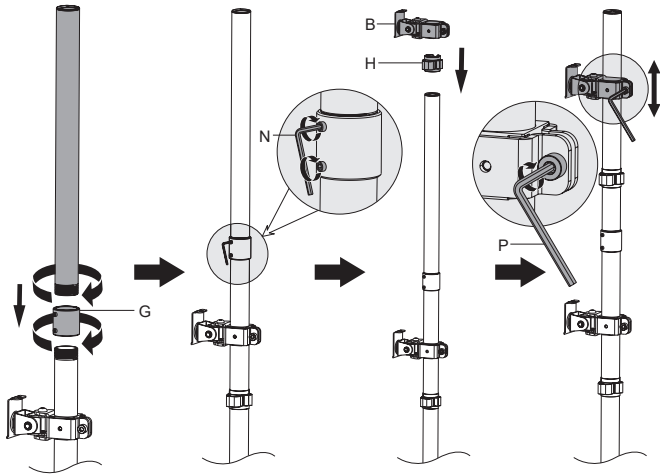
## STEP 3

Slide cable management clip (H) and bracket (B) onto pole (D) and tighten using 6mm allen key (P).



## STEP 4

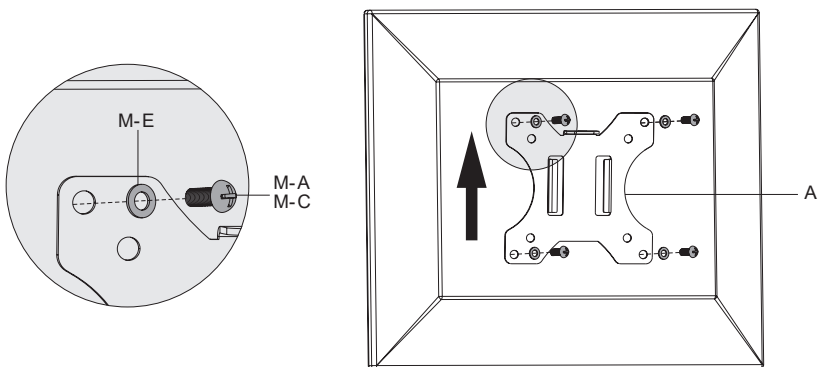
Attach pole (E) to pole (D) using pole connector (G). Tighten grub screws in pole connector using 3mm allen key (N). Slide cable management clip (H) and bracket (B) onto pole (E) and tighten using 6mm allen key (P).



## STEP 5

### OPTION A: Flat Back Monitor

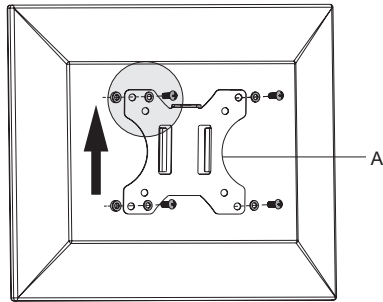
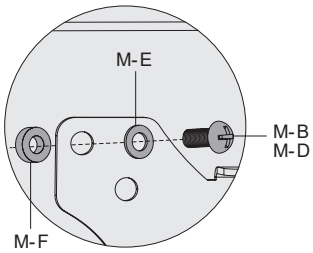
Attach VESA plates (A) to back of monitors using bolts (M-A, M-C) and washers (M-E).



## STEP 5 (Continued)

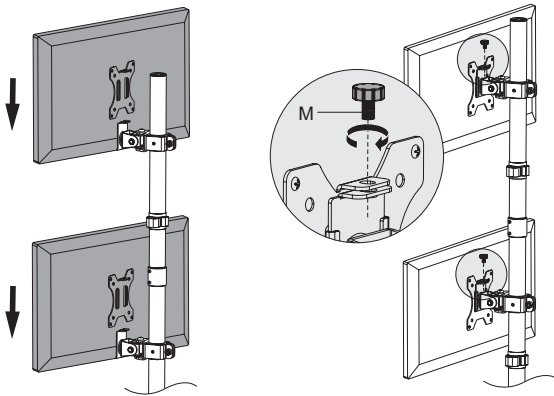
### OPTION B: Curved Back Monitor

Attach VESA plates (A) to back of monitors using bolts (M-B or M-D). If bolts are too long, spacer (M-F) may be required.



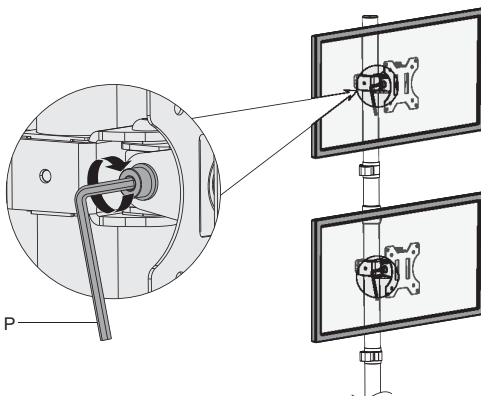
## STEP 6

Slide VESA plates (A) into brackets (B) and secure using thumb screws (M) as shown in diagram.



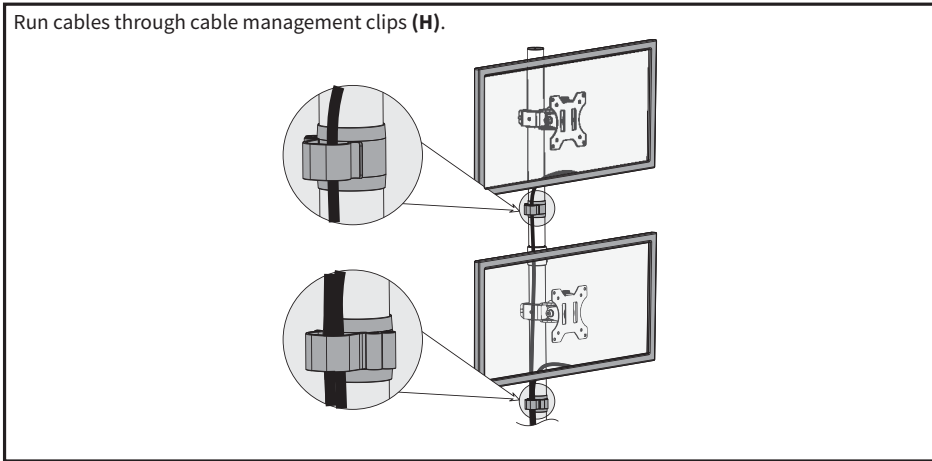
## STEP 7

Adjust tension in monitor bracket with 6mm allen key (P).



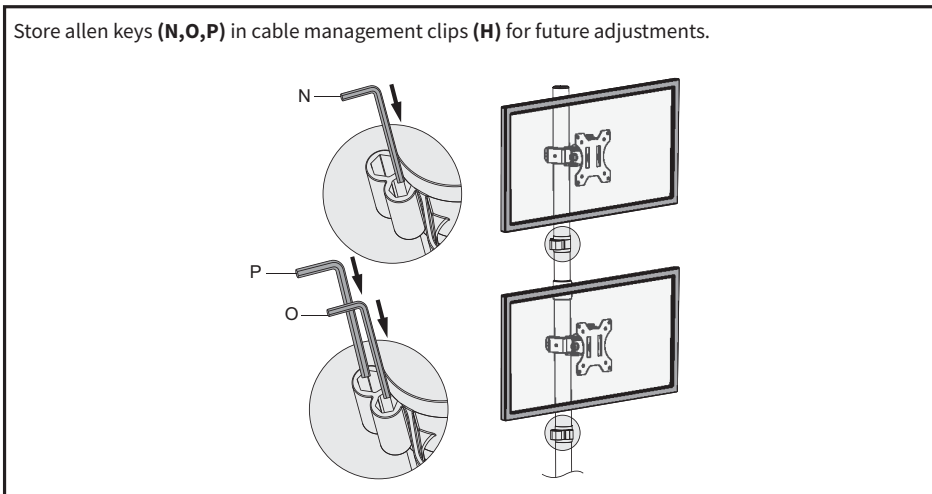
## STEP 8

Run cables through cable management clips (**H**).

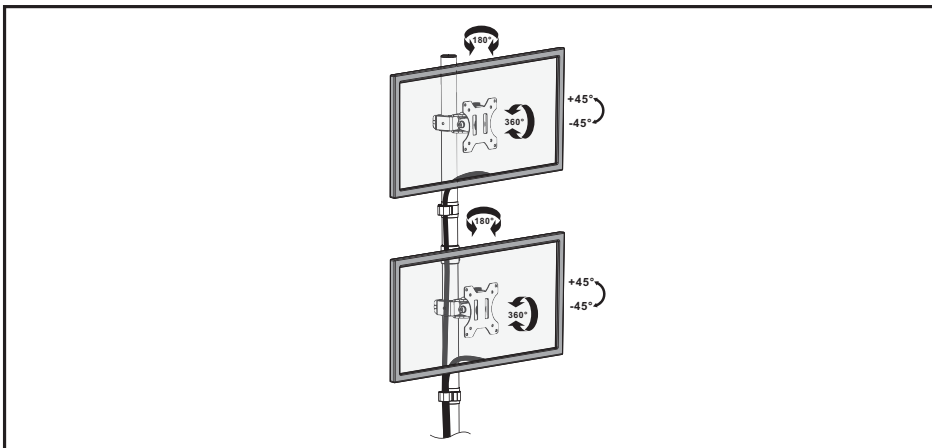


## STEP 9

Store allen keys (**N,O,P**) in cable management clips (**H**) for future adjustments.



Adjust as Desired





Open **Monday - Friday 7:00am - 7:00pm** CST,  
our dedicated support team can offer immediate assistance with rapid response times. If any parts are received damaged or defective, please contact us. We are happy to replace parts to ensure you have a fully functioning product.


 [help@vivo-us.com](mailto:help@vivo-us.com)

**AVG. RESPONSE TIME** (*within office hrs*): **1HR 8M**

- 23% within < 15m
- 38% within < 30m
- 61% within < 1hr
- 83% within < 2hr
- 92% within < 3hr

 [www.vivo-us.com](http://www.vivo-us.com)  
*Chat live with an agent!*

**AVG. RESOLUTION TIME** (*within office hrs*): **< 15 M**

 309-278-5303

**AVG. RESOLUTION TIME** (*within office hrs*): **5M 4S**